

**SONY**

# Micro HI-FI Component System

## Operating Instructions

**GB**

2-668-123-14(1)



**Disposal of Old Electrical & Electronic Equipment**  
(Applicable in the European Union and other European countries with separate collection systems)

This symbol on the product or on its packaging indicates that this product shall not be treated as household waste. Instead it shall be handed over to the applicable collection point for the recycling of electrical and electronic equipment. By ensuring this product is disposed of correctly, you will help prevent potential negative consequences for the environment and human health, which could otherwise be caused by inappropriate waste handling of this product. The recycling of materials will help to conserve natural resources. For more detailed information about recycling of this product, please contact your local Civic Office, your household waste disposal service or the shop where you purchased the product.

Applicable accessories: Remote commander

### Note on DualDiscs

A DualDisc is a two sided disc product which mates DVD recorded material on one side with digital audio material on the other side. However, since the audio material side does not conform to the Compact Disc (CD) standard, playback on this product is not guaranteed.

### Music discs encoded with copyright protection technologies

This product is designed to playback discs that conform to the Compact Disc (CD) standard. Recently, various music discs encoded with copyright protection technologies are marketed by some record companies. Please be aware that among those discs, there are some that do not conform to the CD standard and may not be playable by this product.

MPEG Layer-3 audio coding technology and patents licensed from Fraunhofer IIS and Thomson.

## CMT-SPZ70 CMT-SPZ55/SPZ50



© 2006 Sony Corporation Printed in China  
<http://www.sony.net/>

## WARNING

**To reduce the risk of fire or electric shock, do not expose this apparatus to rain or moisture.**

To reduce the risk of fire, do not cover the ventilation of the apparatus with newspapers, tablecloths, curtains, etc. And do not place lighted candles on the apparatus.

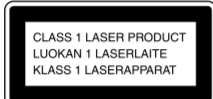
To reduce the risk of fire or electric shock, do not place objects filled with liquids, such as vases, on the apparatus.

Connect the unit to an easily accessible AC outlet. Should you notice an abnormality in the unit, disconnect the main plug from the AC outlet immediately.

Do not install the appliance in a confined space, such as a bookcase or built-in cabinet.

Do not expose batteries or apparatus with battery-installed to excessive heat such as sunshine, fire or the like.

### Except for customers in the U.S.A. and Canada

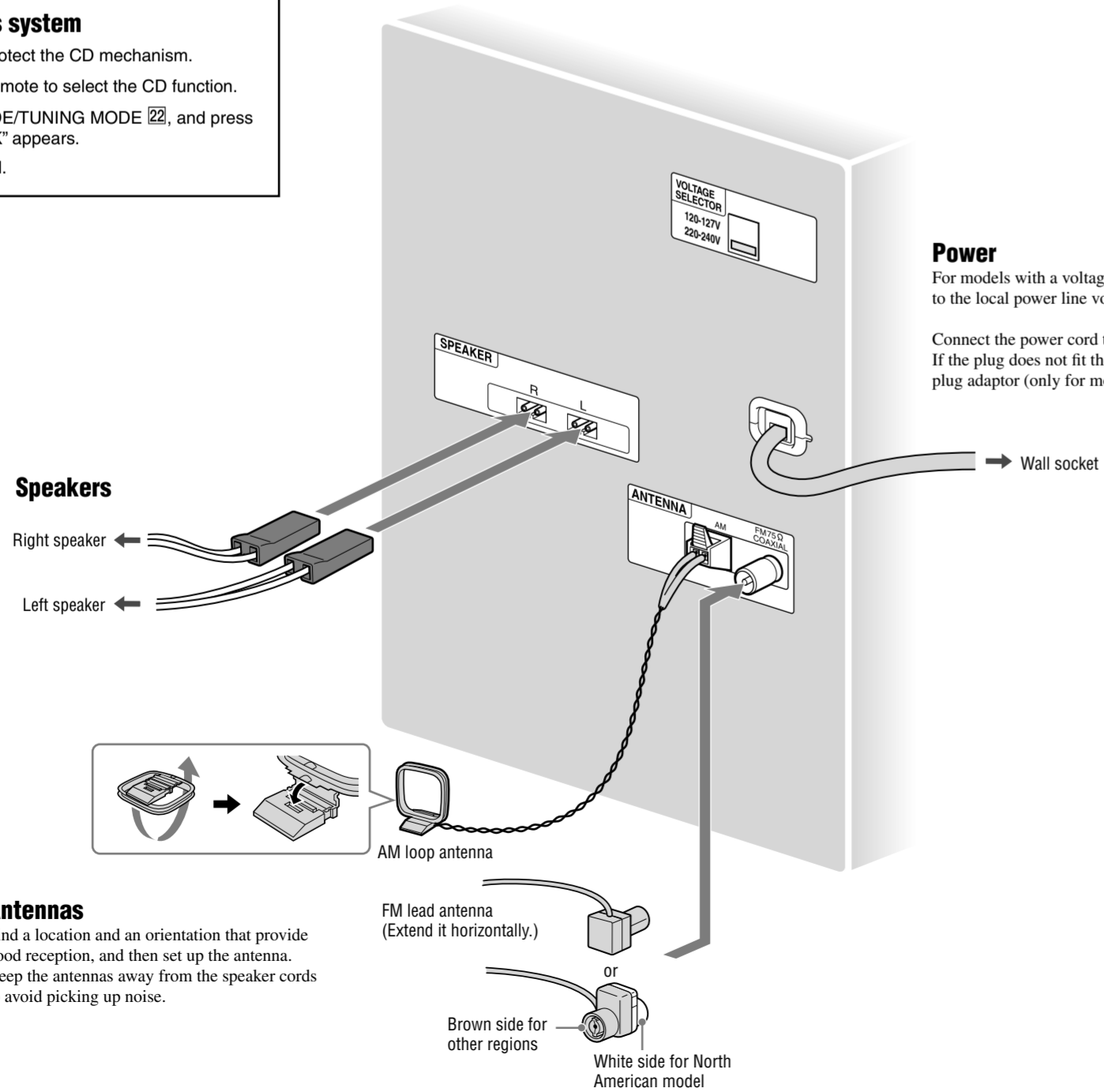


This appliance is classified as a CLASS 1 LASER product. This marking is located on the rear exterior.

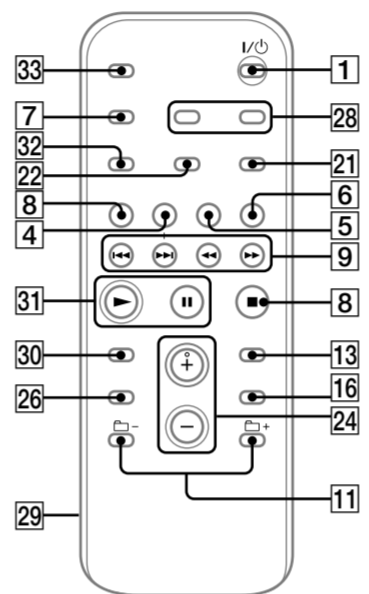
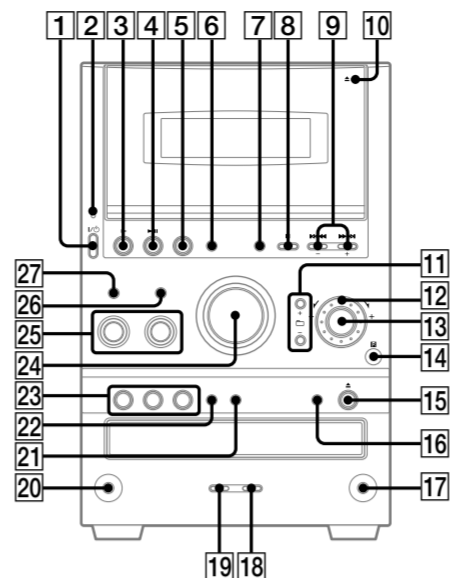
## Hooking up the system securely

### When carrying this system

- 1 Remove all discs to protect the CD mechanism.
- 2 Press CD [4] on the remote to select the CD function.
- 3 Hold down PLAY MODE/TUNING MODE [22], and press DISC 1 [23] until "LOCK" appears.
- 4 Unplug the power cord.



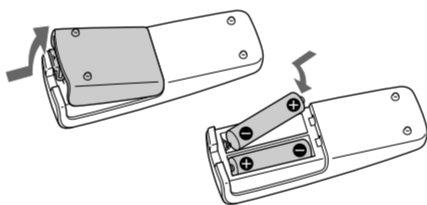
## Basic Operations



### Before using the system

#### To use the remote

Slide and remove the battery compartment lid [29], and insert the two supplied R6 (size AA) batteries, ● side first, matching the polarities shown below.



#### Notes on using the remote

- With normal use, the batteries should last for about six months.
- Do not mix an old battery with a new one or mix different types of batteries.
- If you do not use the remote for a long period of time, remove the batteries to avoid damage from battery leakage and corrosion.

#### To set the clock

- 1 Turn on the system. Press I/⏻ (power) [1].
- 2 Select the clock set mode. Press CLOCK/TIMER SET [28] on the remote. If the current mode appears on the display, press ⏮/⏭ [9] on the remote repeatedly to select "CLOCK SET" and then press ENTER [13] on the remote.
- 3 Set the time. Press ⏮/⏭ [9] on the remote repeatedly to set the hour, and then press ENTER [13] on the remote. Use the same procedure to set the minute. The clock settings are lost when you disconnect the power cord or if a power failure occurs.

### Selecting a music source

Press the following buttons (or press FUNCTION [6] repeatedly).

To select	Press
CD	CD [4] on the remote.
Tuner	TUNER/BAND [5].
Tape	TAPE [3] on the remote.
Component (connected using an audio cord)	FUNCTION [6] repeatedly until "AUDIO IN" appears.

### Adjusting the sound

#### To adjust the volume

Press VOLUME +/- on the remote (or turn the VOLUME control on the unit) [24].

#### To add a sound effect

To	Press
Generate a more dynamic sound (Dynamic Sound Generator X-tra)	DSGX [27] on the unit.
Generate a clearer sound (CMT-SPZ70 only)	SOURCE DIRECT [28] on the unit.
Set the sound effect	EQ [26] repeatedly to select "BASS" or "TREBLE," and then press +/- [9] on the remote (or EQ LEVEL +/- [25] on the unit (CMT-SPZ50/SPZ55 only)) repeatedly to adjust the level. Or, turn BASS or TREBLE controls [25] on the unit (CMT-SPZ70 only).

#### Notes on sound effects

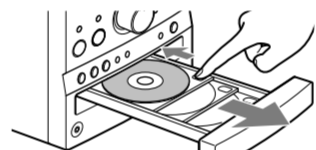
- The bass and treble settings and DSGX do not function when Source Direct is on.
- Source Direct does not function when the headphones are connected.

### Playing a CD/MP3 disc

- 1 Select the CD function. Press CD [4] on the remote.
- 2 Place a disc. Press ▲ (CD open/close) [15] on the unit, and place a disc with the label side up on the disc tray.



To insert additional discs, slide the disc tray with your finger as shown below.



To close the disc tray, press ▲ (CD open/close) [15] on the unit again. Do not force the disc tray closed with your finger, as this may damage the unit.

#### 3 Start playback.

Press ▶ (play) [3] on the remote (or CD▶▶ [4] (play/pause) on the unit).

To	Press
Pause playback	⏸ (pause) [31] on the remote (or CD▶▶ [4] (play/pause) on the unit). To resume play, press the button again.
Stop playback	■ (stop) [8].
Select a folder on an MP3 disc	⏪ +/- (select folder) [11]. Or turn the jog dial [12] on the unit and press PUSH ENTER [13] on the unit during playback until "GROUP" appears, and then press PUSH ENTER [13] on the unit to select the desired folder).
Select a track or file	⏪/⏩ (go back/go forward) [9]. Or turn the jog dial [12] on the unit and press PUSH ENTER [13] on the unit. To cancel, press CANCEL [8] on the unit.
Find a point in a track or file	Hold down ⏪/⏩ (rewind/fast forward) [9] during playback, and release the button at the desired point.
Select Repeat Play	REPEAT [21] repeatedly until "REP" or "REP1" appears.
Select a disc	Press DISC SKIP [16] on the remote (or DISC 1 - 3 [23] or DISC SKIP [16] (in stop mode) on the unit).
Switch to CD function from another source	Press DISC 1 - 3 [23] on the unit (Automatic Source Selection).
Exchange other discs while playing	Press EX-CHANGE [16] on the unit.

#### To change the play mode

Press PLAY MODE [22] repeatedly while the player is stopped. You can select normal play ("ALL DISCS" for all discs, "1DISC" for a disc, or "□" for all MP3 files in the folder on the disc), shuffle play ("ALL DISCS SHUF," "1DISC SHUF," or "SHUF"), or program play ("PGM").

\*When playing a CD-DA disc, □ (SHUF) Play performs the same operation as 1DISC (SHUF) Play.

#### Note on the jog dial

Only the first 6 characters are displayed when performing the folder search, track search, or file search.

#### Notes on Repeat Play

- All tracks or files on a disc are played repeatedly up to five times.
- You cannot select "REP" and "ALL DISCS SHUF" at the same time.
- "REP 1" indicates that a single track or file is repeated until you stop it.

#### Notes on playing MP3 discs

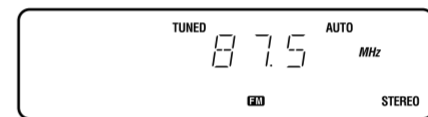
- Do not save other types of files or unnecessary folders on a disc that has MP3 files.
- Folders that have no MP3 files are skipped.
- MP3 files are played back in the order that they are recorded onto the disc.
- The system can only play MP3 files that have a file extension of ".MP3."
- If there are files on the disc that have the ".MP3" file extension, but that are not MP3 files, the unit may produce noise or may malfunction.
- The maximum number of:
  - folders is 255 (including the root folder).
  - MP3 files is 511.
  - MP3 files and folders that can be contained on a single disc is 512.
  - folder levels (the tree structure of files) is 8.
- Compatibility with all MP3 encoding/writing software, recording device, and recording media cannot be guaranteed. Incompatible MP3 discs may produce noise or interrupted audio or may not play at all.

#### Notes on playing multisession discs

- If the disc begins with a CD-DA (or MP3) session, it is recognized as a CD-DA (or MP3) disc, and other sessions are not played back.
- A disc with a mixed CD format is recognized as a CD-DA (audio) disc.

### Listening to the radio

- 1 Select "FM" or "AM." Press TUNER/BAND [5] repeatedly.
- 2 Select the tuning mode. Press TUNING MODE [22] repeatedly until "AUTO" appears.
- 3 Tune in the desired station. Press +/- on the remote (or TUNING +/- on the unit) [9]. Scanning stops automatically when a station is tuned in, and then "TUNED" and "STEREO" (for stereo programs) appear. When you tune in a station that provides RDS services, the station name appears on the display (European model only).



#### To stop automatic scanning

Press ■ (stop) [8].

#### To tune in a station with a weak signal

If "TUNED" does not appear and the scanning does not stop, press TUNING MODE [22] repeatedly until "AUTO" and "PRESET" disappear, and then press +/- on the remote (or TUNING +/- on the unit) [9] repeatedly to tune in the desired station.

#### To reduce static noise on a weak FM stereo station

Press FM MODE [21] repeatedly until "MONO" appears to turn off stereo reception.

### Playing a tape

- 1 Select the tape function. Press TAPE [3] on the remote.
- 2 Insert a tape. Press ▲ PUSH OPEN/CLOSE [10] on the unit, and insert the TYPE I (normal) tape into the cassette holder with the side you want to play facing forward. Make sure there is no slack in the tape to avoid damaging the tape or the tape deck. Press ▲ PUSH OPEN/CLOSE [10] on the unit again to close the cassette holder.
- 3 Start playback. Press ▶ (play) [31] on the remote (or TAPE▶▶ [3] (play/pause) on the unit).

To	Press
Pause playback	⏸ (pause) [31] on the remote (or TAPE▶▶ [3] (play/pause) on the unit). To resume play, press the button again.
Stop playback	■ (stop) [8].
Rewind or fast forward	⏪/⏩ (rewind/fast forward) [9].

### Changing the display

To change	Press
Information on the display*	DISPLAY [7] repeatedly when the system is on.
Display mode (See below.)	DISPLAY [7] repeatedly when the system is off.

\*For example, you can view CD/MP3 disc information, such as the track or file number or folder name during normal play, or the total play time while the player is stopped.

The system offers the following display modes.

Display mode	When the system is off, <sup>1)</sup>
Clock	The clock is displayed.
Power Saving Mode <sup>2)</sup>	The display is turned off to conserve power. The timer and clock continue to operate.

<sup>1)</sup>The STANDBY indicator lights up when the system is off.

<sup>2)</sup>When the system is in Power Saving Mode, the following functions are unavailable:

- setting the clock.
- changing the AM tuning interval
- changing the CD power management function

#### Notes on the display information

- The following are not displayed:
  - total playing time for a CD-DA disc depending on the play mode.
  - total playing time for an MP3 disc.
  - remaining playing time for an MP3 file.
- The following are not displayed correctly:
  - elapsed playing time of an MP3 file encoded using a VBR (variable bit rate).
  - folder and file names that do not follow either the ISO9660 Level 1, Level 2 or Joliet in the expansion format.
- The following are displayed:
  - ID3 tag information for MP3 files when ID3 version 1 and version 2 tags are used. (The Russian model can display information in Russian characters, but the characters may not be displayed correctly for discs created with some encoding/writing software and some recording device.)
  - up to 62 characters of ID3 tag information using uppercase letters (A to Z), numbers (0 to 9), and symbols (" \$ % ' ( ) \* + , - / < = > @ [ \ ] \_ { | } ! ? , ; )

### Using optional audio components

#### To connect an optional headphones

Connect headphones to the PHONES jack [20] on the unit.

#### To connect an optional component

Connect additional audio component to the AUDIO IN jack [17] on the unit using an audio analog cord (not supplied). Turn down the volume on the system, and then press FUNCTION [6] repeatedly to select the AUDIO IN function.

