

Precautions

- Do not continuously use the speaker system beyond the peak power handling capacity.
- Keep recorded tapes, watches, and personal credit cards using magnetic coding away from the speaker system to protect them from damage caused by the magnets in the speakers.

If you cannot find an appropriate mounting location, consult your car dealer or your nearest Sony dealer before mounting.

Specifications

Speaker	Coaxial 2-way: Woofer 16 cm, HOP, cone type Tweeter 3.5 cm, B.D. type
Peak power	190 W* ¹
Rated power	40 W* ¹
Impedance	4 Ω* ¹
Sensitivity	90 ±2 dB (1 W, 1 m)* ²
Frequency response	35 Hz – 25,000 Hz* ¹
Mass	Approx. 650 g per speaker
Supplied accessory	Parts for installation

Design and specifications are subject to change without notice.

*¹ Testing Condition : IEC60268-5 (2003-05)

*² Testing Condition : EIAJ RC-8124A

使用前注意事项

- 请勿超过峰值功率处理能力连续使用扬声器系统。
- 请将录制的磁带、手表和使用磁性码的个人信用卡远离扬声器系统放置，以防止被扬声器中的磁体损坏。

如果您找不到适当的安装位置，请在安装前向您的汽车经销商或附近的Sony经销商咨询。

规格

扬声器	同轴型 2 声道: 低音扬声器 16 cm, 高度定向 聚稀烃, 锥型 高音扬声器 3.5 cm, B.D.型
峰值功率	190 W* ¹
额定功率	40 W* ¹
阻抗	4 Ω* ¹
灵敏度	90 ±2 dB (1 W, 1 m)* ²
频率响应	35 Hz - 25000 Hz* ¹
近似质量	650 g/扬声器
随机提供	安装附件

设计和规格如有变更，恕不另行通知。

*¹ 测试条件等依据：IEC60268-5(2003-05)

*² 测试条件等依据：EIAJ RC-8124A

16cm Coaxial 2-way Speaker

Installation/Connections

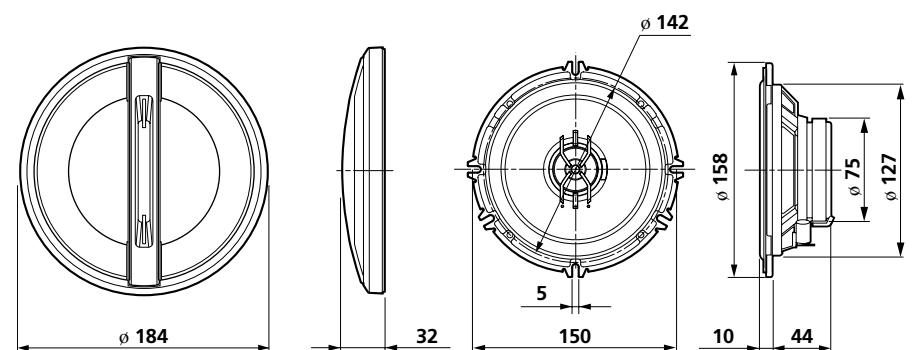
安装/线路连接

XS-GTF1625B

© 2007 Sony Corporation Printed in China

Dimensions 尺寸

Unit: mm
单位: mm



产品中有毒有害物质或元素的名称及含量

(○: 不含有, ×: 含有)

部件名称	有毒有害物质或元素					
	铅 (Pb)	汞 (Hg)	镉 (Cd)	六价铬 (Cr (VI))	多溴联苯 (PBB)	多溴二苯醚 (PBDE)
扬声器	×	○	○	○	○	○
附件	×	○	○	○	○	○

○: 表示该有毒有害物质在该部件所有均质材料中的含量均在 SJ/T11363-2006 标准规定的限量要求以下。
×: 表示该有毒有害物质至少在该部件的某一均质材料中的含量超出 SJ/T11363-2006 标准规定的限量要求。

Mounting/安装

Mounting from the car interior/从汽车内安装

Before Mounting

A depth of at least 44 mm is required for flush mounting. Measure the depth of the area where you are to mount the speaker, and ensure that the speaker is not obstructing any other components of the car. Keep the following in mind when choosing a mounting location:

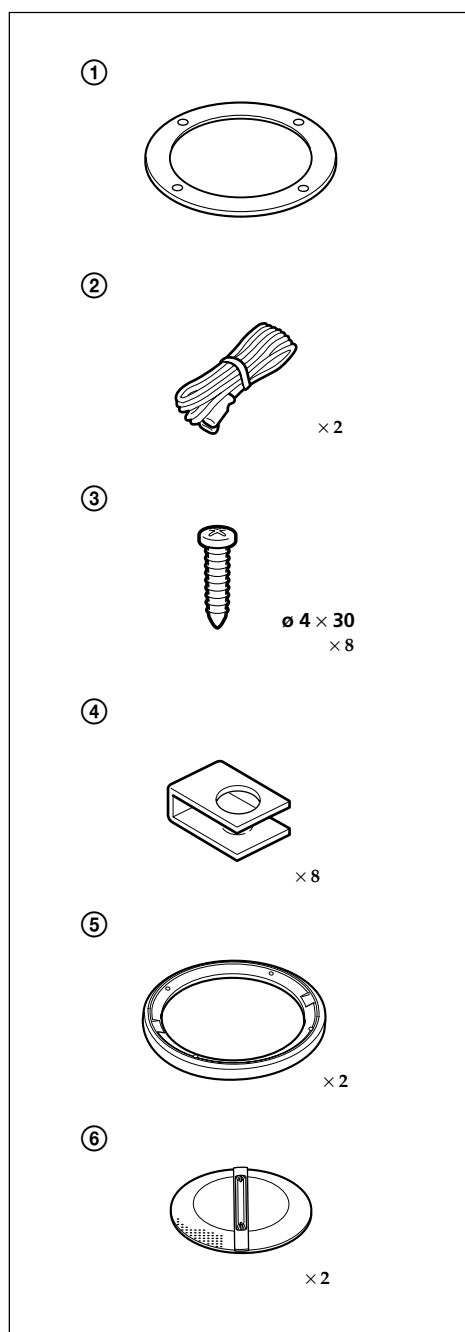
- Make sure that nothing is obstructing around the mounting location of the door (front or rear) where you are to mount the speaker.
 - A hole for mounting may already be cut out of the inner panel of the door (front or rear). In this case, you need to modify the board only.
 - If you are to mount this speaker system in the door (front or rear), make sure that the speaker terminals, frame or magnet do not interfere with any inner parts, such as the window mechanism in the door (when you open or close the window), etc.
- Also make sure that the speaker grille does not touch any inner fittings, such as the window cranks, door handles, arm rests, door pockets, lamps or seats etc.

安装之前

嵌入式安装至少需要 44 mm 深度。请测量您要安装扬声器的位置深度，并确保扬声器不会妨碍汽车上的任何其他部件。选择安装位置时，请注意下列事项：

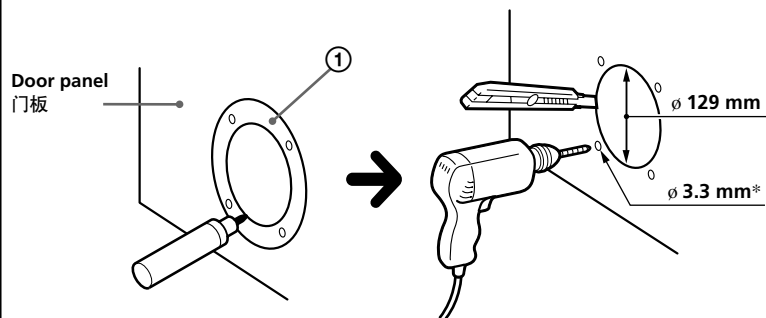
- 确保您要安装扬声器的车门（前或后）的安装位置周围没有障碍物。
 - 车门（前或后）的内面板上可能已经开有安装孔。在此情况下，您只需改装底板。
 - 如果您要将扬声器系统安装在车门（前或后）内，请确保扬声器端子、框架或磁体不会干扰任何内部部件，例如车门上的车窗机械装置（当您打开或关闭车窗时）等。
- 同时，也请确保扬声器格栅不会碰到任何内部装置，例如车窗摇柄、车门把手、扶手、门套、灯或座位等。

Parts list/部件表

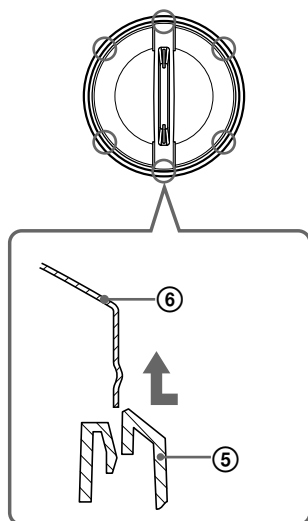


1 Mark the 4 bolt holes and make them 3.3 mm* in diameter.
画出4个螺栓孔，并钻成 3.3 mm* 直径的孔。

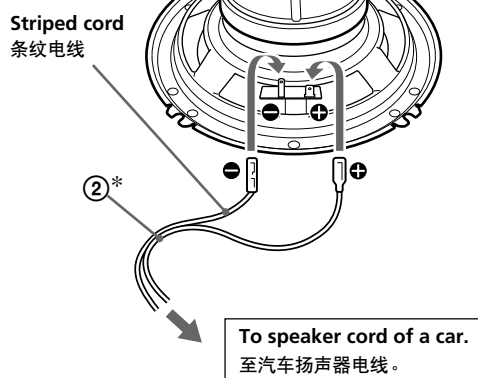
* When using ③: $\phi 5$ mm
* 使用 ③ 时: $\phi 5$ mm



2 Remove the grille net.
取下格栅网。

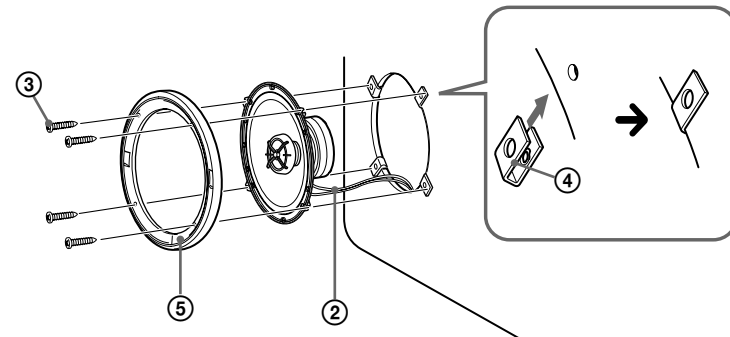


3 Striped cord
条纹电线

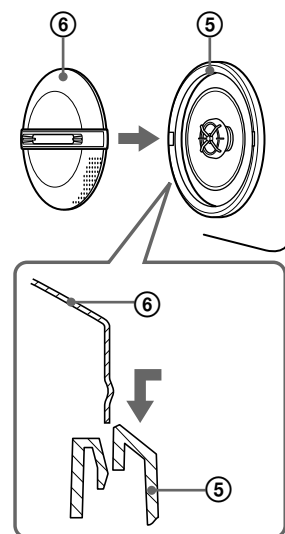


* White cord — Left speaker
* Grey cord — Right speaker
* 白色电线 — 左扬声器
* 灰色电线 — 右扬声器

4



5 Press and insert the edges of the grille net.
按下并插入格栅网的边缘。



How to remove the grille net.

如何取下格栅网。

