

# Cassette-Corder

Operating Instructions  
Mode d'emploi (au dos)

## TCM-465V/459V/36

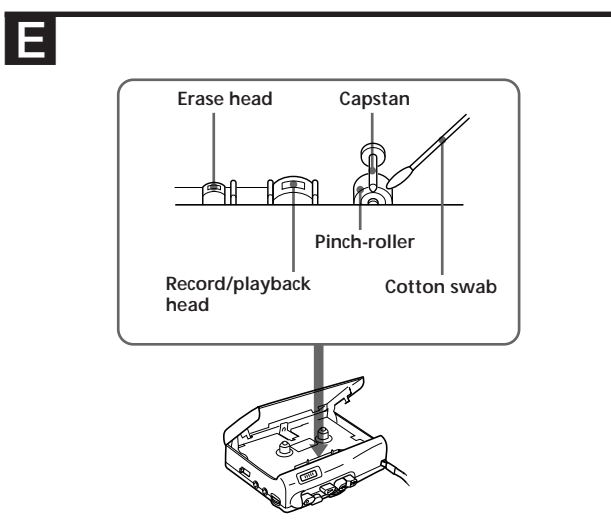
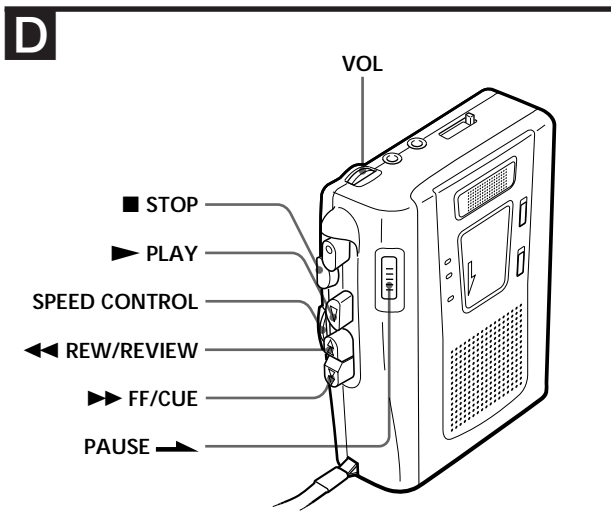
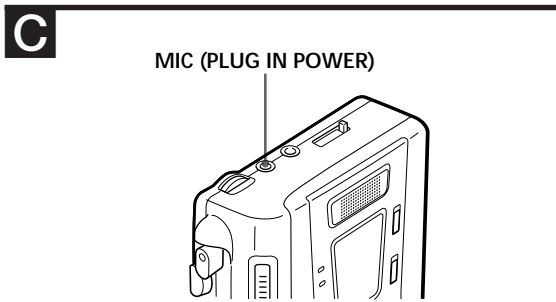
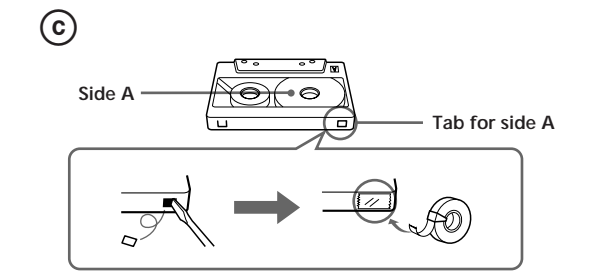
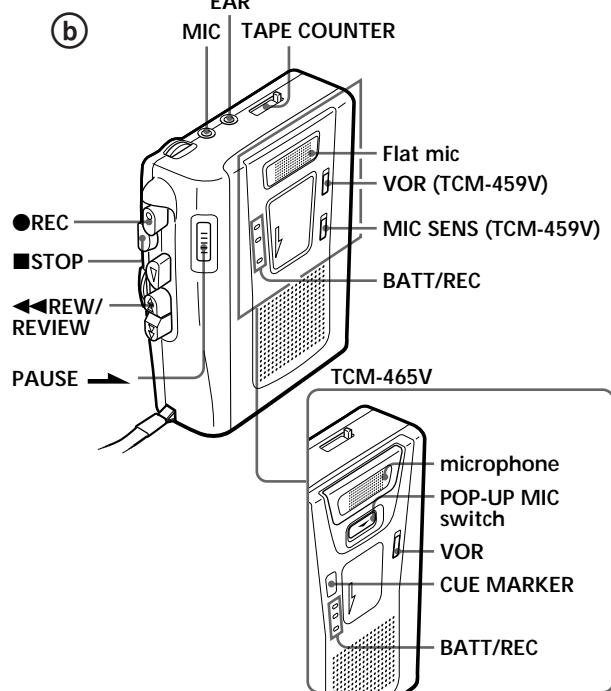
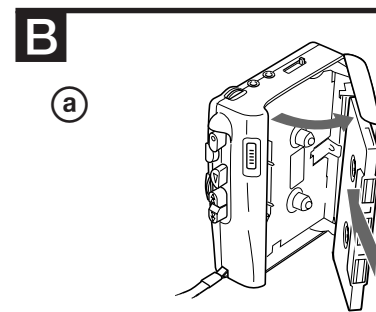
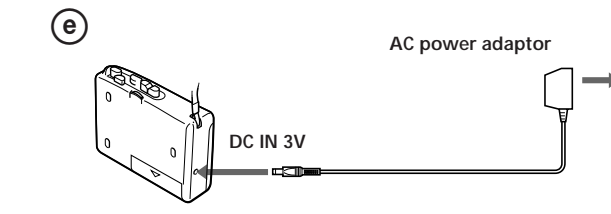
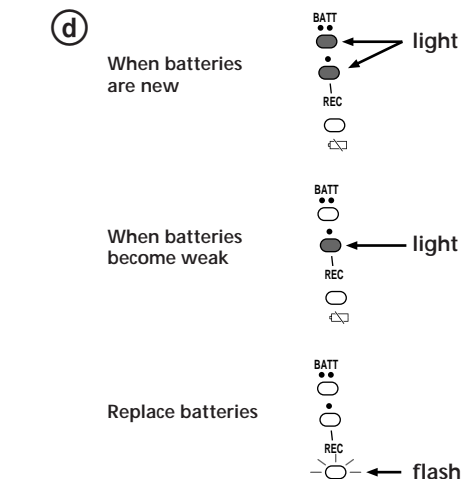
Sony Corporation ©1998 Printed in China

### About This Manual

The instructions in this manual are for TCM-465V, TCM-459V and TCM-36. Before you start reading, check your model number. TCM-459V is the model used for illustration purposes. Any differences in operation are clearly indicated in the text, for example, "TCM-459V only".

### A propos de ce mode d'emploi

Les instructions contenues dans le présent mode d'emploi concernent les modèles TCM-465V, TCM-459V et TCM-36. Avant d'en entamer la lecture, vérifiez la désignation de votre modèle. C'est le modèle TCM-459V qui est représenté dans les illustrations. Toute différence de fonctionnement est clairement indiquée dans le texte, par exemple : "TCM-459V uniquement".



## Welcome!

Thank you for purchasing the Sony Cassette-Corder.

Some features are:

- VOR (Voice Operated Recording) system that starts and stops recording automatically in response to the sound, to save tapes and batteries (TCM-465V/459V only).
- SPEED CONTROL function that lets you increase or decrease the tape playback speed.
- High sensitive flat mic picks up a wide range of sound clearly (TCM-459V/36 only).
- Pop-up microphone system allows you to use the microphone properly by adjusting it to the situation (TCM-465V only).
- When the microphone is in the standing position, it works as an unidirectional microphone and picks up sound coming from the front side clearly.
- When the microphone is at the flat position, it picks up a wide range of sound clearly.
- Cue marker function to mark a desired portion during recording (TCM-465V only)
- Three BATT/REC lamps indicate the remaining battery power in two steps and the lamp indicates when to replace the batteries.

### Getting Started

#### Preparing a Power Source

Choose one of the following power sources.

#### Dry Batteries (see Fig. A-①)

Make sure that nothing is connected to the DC IN 3V jack.

- 1 Open the battery compartment lid.
- 2 Insert two size R6 (AA) batteries (supplied to TCM-36 and tourist model of TCM-465V only) with correct polarity and close the lid.

#### Notes

- Do not charge a dry battery.
- Do not use a new battery with an old one.
- Do not use different types of batteries.
- When you do not use the unit for a long time, remove the batteries to avoid any damage caused by battery leakage and subsequent corrosion.
- Dry batteries will not be expended when another power source is connected.

#### To take out the batteries (see Fig. A-②)

#### To attach the battery compartment lid if it is accidentally detached (see Fig. A-③)

Replace the batteries with new ones when the BATT/REC lamps go off and the lamp flashes. The BATT/REC lamps change as illustrated:

#### Notes

- During FF(CUE) or REW(REVIEW), the lamp may flash. Only when the tape does not run properly, replace the batteries.
- In some cases when the unit is used with rechargeable batteries, only one BATT/REC lamp will light even though the batteries have been fully charged.
- After the batteries have been used for a while, the BATT/REC lamps may flash with the playback sound when you turn up the volume; however, this does not mean that you need to replace the batteries.
- The unit will play back normally for a while even after the lamp flashes. However, replace the batteries as soon as you can. If you do not, a loud noise may be emitted by the built-in speaker or subsequent recording will not be done correctly.
- When the tape starts running or at the end of the tape the lamp may momentarily light. If the lamp goes off, you do not need to replace the batteries.

#### Battery life (Approximate hours) (EIAJ\*)

	Playback	Recording
Sony alkaline LR6 (SG)	11	11
Sony R6P (SR)	3	3

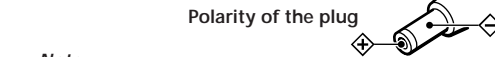
\* Measured value by the standard of EIAJ (Electronic Industries Association of Japan). (Using a Sony HF series cassette tape)

#### Note

The battery life may shorten depending on the operation of the unit.

#### House Current (see Fig. A-④)

Connect the AC power adaptor to DC IN 3V and to the wall outlet. Use the AC-E30HG AC power adaptor (not supplied). (For TCM-36: For Japan use the AC-E30M, not supplied) Do not use any other AC power adaptor.



#### Note

Specifications for AC-E30HG varies for each area. Check your local voltage and the shape of plug before purchasing.

### Operating the Unit

#### Recording (see Fig. B-①, ②)

You can record right away with the built-in microphone. Make sure that nothing is connected to the MIC jack.

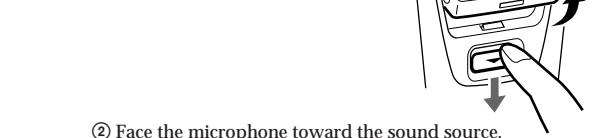
- 1 Press the counter reset button to reset the tape counter.
- 2 Insert a normal (TYPE I) tape with the side to start recording facing the cassette holder.
- 3 For TCM-465V/459V:
  - ① Set VOR to: ON to start and pause recording automatically to the sound. OFF to start and stop recording manually.
  - ② For TCM-459V: Set MIC SENS to select the sensitivity of the microphone to: H (high) to record at meetings or in a quiet and/or spacious place. L (low) to record for dictation or in a noisy place.
- 4 For TCM-465V:
  - To use the microphone in a standing position: When you record a lecture or a speech, use the microphone in a standing position.
    - ① Slide the POP-UP MIC switch as illustrated.
    - ② Face the microphone toward the sound source.
  - To use the microphone without standing it: When you want to record a wide range for conversations in a meeting, etc., use the microphone at a flat angle. Place the unit on a hard surface such as a desk with the cassette holder side up so that the flat mic can record effectively.

#### Note

When the sound to be recorded is not loud enough, set the VOR switch to OFF, or the unit may not start recording.

- 4 For TCM-465V:

- To use the microphone in a standing position: When you record a lecture or a speech, use the microphone in a standing position.
  - ① Slide the POP-UP MIC switch as illustrated.
  - ② Face the microphone toward the sound source.
- To use the microphone without standing it: When you want to record a wide range for conversations in a meeting, etc., use the microphone at a flat angle. Place the unit on a hard surface such as a desk with the cassette holder side up so that the flat mic can record effectively.



- To use the microphone without standing it: When you want to record a wide range for conversations in a meeting, etc., use the microphone at a flat angle. Place the unit on a hard surface such as a desk with the cassette holder side up so that the flat mic can record effectively.



For TCM-459V/36: Place the unit on a hard surface such as a desk with the cassette holder side up so that the flat mic can record effectively.

#### Note

When using the microphone in a standing position, the sensitivity will be higher than the flat mic.

- 5 Press ● REC. Recording starts. While the tape runs, the BATT/REC lamp lights and flickers depending on the strength of the sound.

At the end of the tape, recording stops and the unit turns off automatically.

To	Press or slide
Stop recording	■ STOP
Pause recording	PAUSE  in the direction of the arrow To release pause recording, release PAUSE .
Review the portion just recorded	Press and hold ◀◀ REW/REVIEW during recording. Release the button at the point to start playback.

#### To monitor the sound

Connect an earphone (not supplied) firmly to the EAR jack.

#### Notes

- Do not use a CrO<sub>2</sub> (TYPE II) or metal (TYPE IV) tape, otherwise the sound may be distorted when you play back the tape, or the previous recording may not be erased completely.
- The SPEED CONTROL switch works in the playback mode only. Recording will be made independent of this control.

#### Notes on VOR (Voice Operated Recording) (TCM-465V/459V only)

- The VOR system depends on the environment conditions. If you cannot get the desired results, set VOR to OFF.
- When using the VOR system, the unit starts recording only when a sound is detected, therefore, the beginning of the word may not be recorded. For an important recording, we recommend setting VOR to OFF.

#### Locating the Cue Marker Position (TCM-465V only)

Press CUE MARKER during recording. You will hear a buzz at the cue marker position when you press FF/CUE or REW/REVIEW while playing back the tape. It is convenient to mark at an important part of speech, for example, during an interview to quickly find that portion by pressing FF/CUE or REW/REVIEW while playing back the tape.

#### Notes

- Cue will not be marked if you press STOP or PAUSE immediately after having pressed CUE MARKER.
- You may hear noise at the cue marker position during playback when you are listening to the recording through a sensitive earphone.

#### To prevent a tape from being accidentally recorded over (see Fig. B-③)

Break out and remove the cassette tabs. To reuse the tape for recording, cover the tab hole with adhesive tape.

### Recording from Various Sound Sources (see Fig. C)

#### Recording with an External Microphone

Connect a microphone to the MIC jack. The raised dot near the MIC jack identifies as the jack for a microphone, not an earphone. Use a microphone of low impedance (less than 3 kilohms) such as ECM-T115 (not supplied). When using a plug-in-power system microphone, the power to the microphone is supplied from this unit.

#### Note

When recording with an external microphone, the VOR system may not work properly because of the difference in sensitivity.

#### Recording from Another Equipment

Connect another equipment to the MIC jack using the RK-G64HG connecting cord (not supplied). (For TCM-36: For Japan use the RK-G64, not supplied)

### Playing a Tape (see Fig. D)

- 1 Insert a cassette with the side to start playing facing the cassette holder.
- 2 Adjust the tape playback speed. Set SPEED CONTROL to: SLOW (slow) to play back a tape slower. Center position to playback a tape at normal speed. FAST (fast) to playback a tape faster.
- 3 Press ► PLAY then adjust the volume. There is a raised dot to show the direction to turn down volume beside VOL.

At the end of the tape, playback stops and the unit turns off automatically.

To	Press or slide
Stop playback/stop fast forward or rewind	■ STOP
Pause playback	PAUSE  in the direction of the arrow To release pause playback, release PAUSE .
Search forward during playback (CUE)	Press and hold ►► FF/CUE and release it at the point you want
Search backward during playback (REVIEW)	Press and hold ◀◀ REW/REVIEW and release it at the point you want
Fast forward**	►► FF/CUE during stop
Rewind**	◀◀ REW/REVIEW during stop
Start recording during playback	● REC

\* PAUSE will be also automatically released when ■ STOP is pressed (stop-pause-release function).

\*\* If you leave the unit after the tape has been wound or rewound, the batteries will be consumed rapidly. Be sure to depress ■ STOP.

### Additional Information

#### Precautions

##### On power

- Operate the unit only on 3V DC. For AC operation, use the AC power adaptor recommended for the unit. Do not use any other type. For battery operation, use two size R6 (AA) batteries.

##### On the unit

- Do not leave the unit in a location near heat sources, or in a place subject to direct sunlight, excessive dust or mechanical shock.
- Should any solid object or liquid fall into the unit, remove the batteries or disconnect the AC power adaptor, and have the unit checked by qualified personnel before operating it any further.
- Keep personal credit cards using magnetic coding or spring-wound watches etc. away from the unit to prevent possible damage from the magnet used for the speaker.
- If the unit has not been used for a long time, set it in the playback mode and warm it up for a few minutes before inserting a tape.

##### On tapes longer than 90 minutes

We do not recommend the use of tapes longer than 90 minutes except for a long continuous recording or playback. They are very thin and tend to be stretched easily.

If you have any questions or problems concerning your unit, please consult your nearest Sony dealer.

### Troubleshooting

Should any problem persist after you have made these checks, consult your nearest Sony dealer.

#### You cannot press ● REC.

- The tab on the tape has been removed.

#### You cannot press ► PLAY.

- The tape has reached the end. Rewind the tape.

#### The unit does not operate.

- The batteries have been inserted with incorrect polarity.
- The batteries are weak
- PAUSE is slid in the direction of the arrow.
- The AC power adaptor or car battery cord is not firmly connected.
- The batteries have been inserted, but simultaneously the AC power adaptor is connected and not to be done to the wall outlet.

#### No sound comes from the speaker.

- The earphone is plugged in.
- The volume is turned down completely.

#### Tape speed is too fast or too slow in the playback mode.

- SPEED CONTROL is set at a point other than the center.

#### The sound drops out or comes with excessive noise.

- The volume is turned down completely.
- The batteries are weak.
- The heads are contaminated. See "Maintenance."

#### Recording cannot be made.

- Connection is made incorrectly.
- The batteries are weak.
- The record/playback head is contaminated.
- For TCM-465V: Change the flat mic or pop-up mic.
- For TCM-459V: MIC SENS has been set to the improper position when VOR function works.

#### Recording is interrupted.

- For TCM-465V/459V: VOR is set to ON. When you do not use VOR, set it to OFF.

#### Recording cannot be erased completely.

- The erase head is contaminated.
- Recording or erasing is being made using recorded CrO<sub>2</sub> (TYPE II) or metal (TYPE IV) tape.

### Maintenance (see Fig. E)

#### To clean the tape heads and path

Wipe the heads, pinch rollers, and the capstans with a cotton swab moistened with alcohol every 10 hours of use.

#### To clean the exterior

Use a soft cloth slightly moistened in water. Do not use alcohol, benzene or thinner.

### Specifications

#### Recording system

2-track 1 channel monaural

#### Frequency range

250 - 6,300 Hz

#### Speaker

Approx. 3.6 cm (1 1/8 in.) dia.

#### Power output

300 mW (at 10 % harmonic distortion)

#### Input

Microphone input jack (minijack) sensitivity 0.2 mV for 3 kilohms or lower impedance microphone

#### Output

Earphone jack (minijack) for 8 - 300 ohms earphone

#### Variable range of the tape speed

from +30% to -15%

#### Power requirements

- Two size R6 (AA) batteries (supplied to TCM-36 and tourist model of TCM-465V only): 3V DC
- DC IN 3 V jack accepts:
  - AC-E30M (TCM-36 only) or AC-E30HG AC power adaptor (not supplied) suitable in the country where the unit is to be used.
  - Sony DCC-E230 car battery cord (not supplied) for use on 12 V car battery.

#### Dimensions (w/h/d) (incl. projecting parts and controls)

TCM-465V: Approx. 116 × 91 × 43mm (4 1/2 × 3 1/2 × 1 3/4 in.)

TCM-459V/36: Approx. 116 × 91 × 38mm (4 1/2 × 3 1/4 × 1 1/2 in.)

#### Mass (not incl. batteries)

TCM-465V: Approx. 200 g (7.1 oz.)

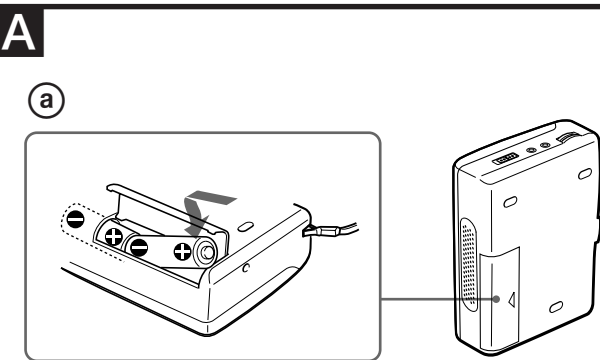
TCM-459V/36: Approx. 195 g (6.9 oz.)

#### Supplied accessories

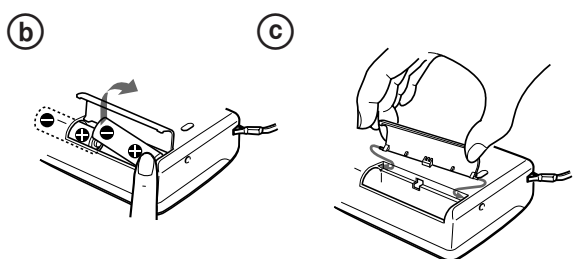
R6 (size AA) batteries (2) (TCM-36 and tourist model of TCM-465V only)

Design and specifications are subject to change without notice.

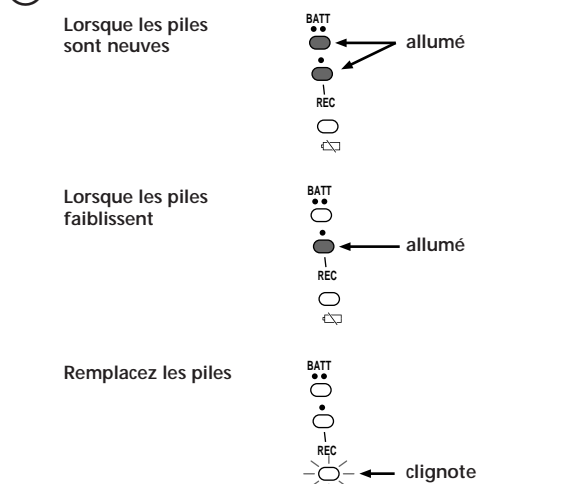




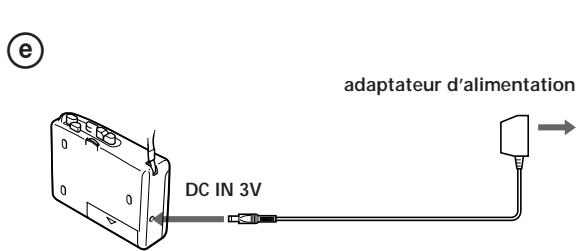
A



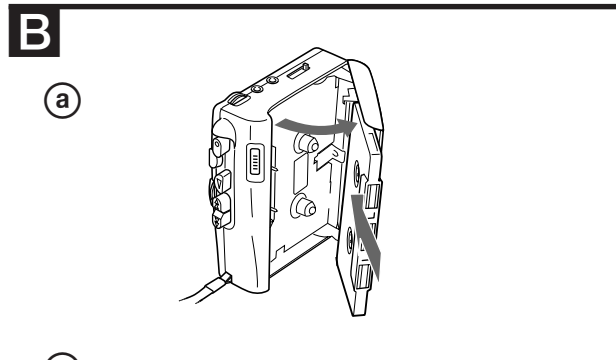
B



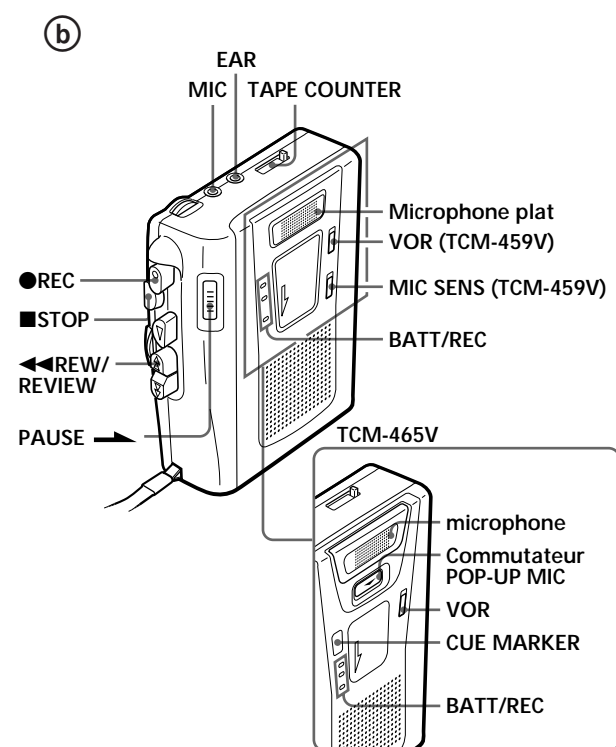
C



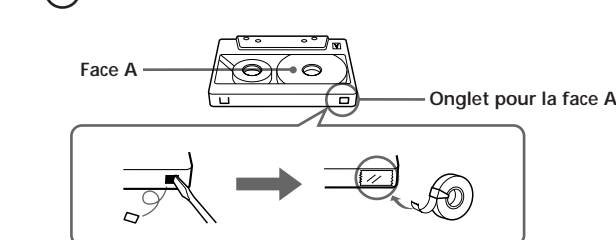
D



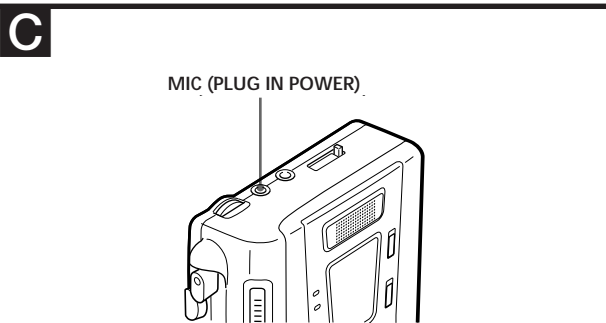
A



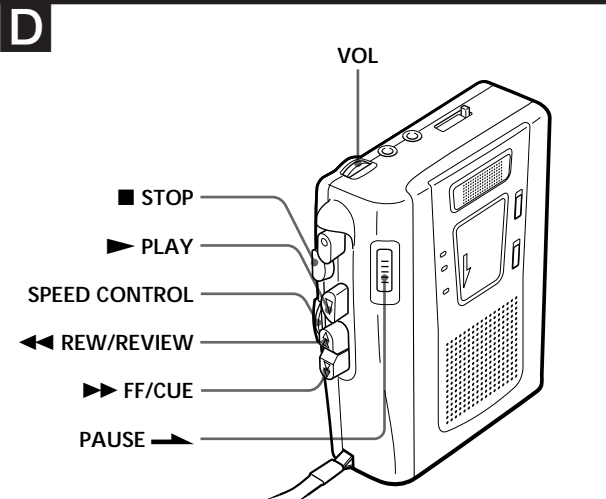
B



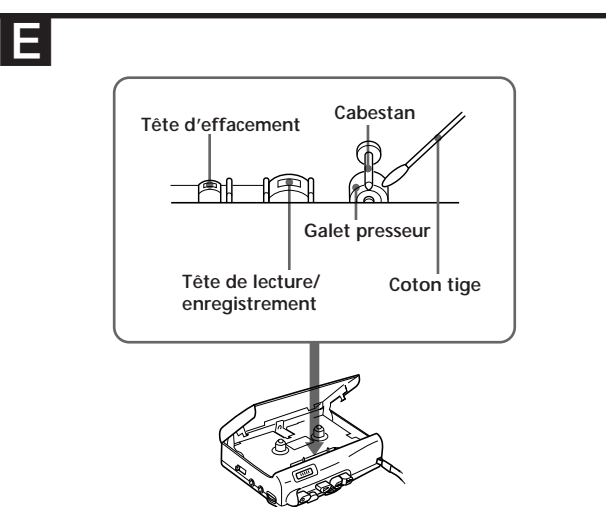
C



A



B



C

## Félicitations!

Nous vous remercions d'avoir fait l'acquisition de ce magnétophone à cassette Sony.

Il intègre notamment les caractéristiques suivantes :

- Un système d'enregistrement activé par la voix (VOR) qui démarre et arrête automatiquement l'enregistrement en réaction aux sons perçus de manière à économiser la cassette et les piles (TCM-465V/459V uniquement).

- Une fonction SPEED CONTROL qui vous permet d'augmenter ou de diminuer la vitesse de défilement de la bande en lecture.
- Un microphone à haute sensibilité pour capter clairement les sons dans une large plage sonore (TCM-459V/36 uniquement).
- Un système de microphone relevable qui vous permet d'utiliser correctement le microphone en l'adaptant aux conditions ambiantes (TCM-465V uniquement).

Lorsque le microphone se trouve en position relevée, il fonctionne comme un microphone non directionnel et capte clairement les sons provenant de l'avant.

Lorsque le microphone se trouve en position abaissée, il capte clairement les sons dans une large plage sonore.

- Une fonction de repérage pour délimiter un passage déterminé en cours d'enregistrement (TCM-465V uniquement)
- Trois témoins BATT/REC qui indiquent la charge résiduelle des piles en deux étapes et un témoin qui signale quand remplacer les piles.

## Préparation

## Préparation de l'alimentation

Choisissez une des sources d'alimentation suivantes.

### Piles sèches (voir Fig. A-①)

Assurez-vous que rien n'est branché à la prise DC IN 3V.

- 1 Ouvrez le couvercle du compartiment de piles.
- 2 Introduisez deux piles R6 (AA) (fournies avec le TCM-36 et le modèle touriste du TCM-465V uniquement) en en respectant la polarité et refermez ensuite le couvercle.

#### Remarques

- Ne chargez pas une pile sèche.
- N'utilisez pas une nouvelle pile avec une ancienne.
- N'utilisez pas différents types de piles.
- Lorsque vous n'utilisez pas l'appareil pendant une longue période de temps, enlevez les piles afin d'éviter tous dommages causés par une pile qui coule et la corrosion subséquente.
- Les piles sèches ne seront pas utilisées lorsqu'une autre source d'alimentation est branchée.

### Pour retirer les piles (voir Fig. A-②)

### Pour fermer le couvercle de compartiment de piles s'il est ouvert accidentellement (voir Fig. A-③)

### Quand remplacer les piles (voir Fig. A-④)

Remplacez les piles lorsque les témoins BATT/REC s'éteignent et que le témoin qui se met à clignoter.

Les témoins BATT/REC changent comme illustré :

#### Remarques

- En mode FF(CUE) ou REW(REVIEW), il se peut que le témoin qui se met à clignoter. Ne remplacez les piles que lorsque la bande magnétique ne défile pas correctement.
- Dans certains cas où l'appareil est utilisé avec des piles rechargeables, seul un témoin BATT/REC s'allume même si les piles ont été complètement chargées.
- Après que les piles ont été utilisées pendant un certain temps, il se peut que le témoin BATT se mette à clignoter avec le son de lecture lorsque vous augmentez le volume; cela n'indique cependant pas que vous devez remplacer les piles.
- L'appareil poursuit la reproduction normale de la cassette pendant un certain temps même après que le témoin BATT s'est mis à clignoter. Il convient cependant de remplacer les piles le plus rapidement possible. Sinon, l'enregistrement ne pourra se faire correctement.
- Lorsque la bande magnétique commence à défiler ou à la fin de la cassette, il se peut que le témoin qui s'allume momentanément. Si le témoin s'éteint, vous ne devez pas remplacer les piles.

Durée des piles (heures approximatives) (EIAJ)\*

	Lecture	Enregistrement
Sony alcaline LR6 (SG)	11	11
Sony R6P (SR)	3	3

\* Valeur mesurée suivant la norme EIAJ (Electronic Industries Association of Japan) (avec une cassette Sony HF).

#### Remarque

L'autonomie de la batterie peut diminuer en fonction de l'utilisation de l'appareil.

### Courant domestique (voir Fig. A-⑤)

Branchez l'adaptateur secteur sur la prise DC IN 3V et sur une prise murale (secteur). Utilisez un adaptateur secteur AC-E30HG (non fourni). (Pour le TCM-36 : au Japon, utilisez l'AC-E30M, non fourni). N'utilisez aucun autre type d'adaptateur secteur.



#### Remarque

Les spécifications pour l'AC-E30HG varient suivant les zones géographiques. Vérifiez avant l'achat votre tension secteur locale et le modèle de la fiche.

## Opération de l'appareil

## Enregistrement (voir Fig. B-①, ②)

Vous pouvez enregistrer immédiatement à l'aide du microphone intégré. Assurez-vous que rien n'est branché sur la prise MIC.

- 1 Appuyez sur la touche de réinitialisation du compteur pour remettre le compteur à zéro.
- 2 Introduisez une cassette normale (TYPE I) avec la face à enregistrer en premier lieu orientée vers le porte-cassette.
- 3 Pour le TCM-465V/459V :
  - 1 Réglez VOR sur :

ON pour démarrer l'enregistrement et activer des pauses automatiquement en fonction du son.  
OFF pour démarrer et arrêter l'enregistrement manuellement.

Pour le TCM-459V :

- 2 Réglez MIC SENS pour sélectionner la sensibilité du microphone sur :
  - H (high) pour enregistrer des réunions dans un local tranquille et/ou spacieux.
  - L (low) pour enregistrer en dictée ou dans un local bruyant.

#### Remarque

Si le son à enregistrer n'est pas suffisamment fort, réglez le commutateur VOR sur OFF faute de quoi l'appareil risque de ne pas démarrer l'enregistrement.

- 4 Pour le TCM-465V :

- Pour utiliser le microphone plat en position relevée Pour enregistrer une conférence ou un discours, utilisez le microphone en position relevée.
  - ① Faites glisser POP-UP MIC comme illustré.

② Orientez le microphone vers la source sonore.

- Pour utiliser le microphone plat sans le relever Lorsque vous voulez enregistrer des débats lors d'une réunion, etc., utilisez le microphone en position abaissée. Posez l'appareil sur une surface dure comme un bureau en orientant le porte-cassette vers le haut de façon à que le micro plat puisse enregistrer efficacement.

Pour le TCM-459V/36 :  
Posez l'appareil sur une surface dure comme un bureau en orientant le porte-cassette vers le haut de façon à ce que le micro plat puisse enregistrer efficacement.

#### Remarque

La sensibilité du microphone est supérieure en position relevée qu'en position abaissée.

- 5 Appuyez sur ● REC. L'enregistrement démarre. Pendant que la bande défile, le témoin BATT/REC s'allume et clignote suivant l'amplitude des sons.

A la fin de la cassette, l'enregistrement s'arrête et l'appareil se ferme automatiquement.

Pour	Pressez ou faites coulisser
Arrêter l'enregistrement	■ STOP
Pause de l'enregistrement	PAUSE ➡ dans la direction de la flèche Pour relâcher la pause d'enregistrement, relâchez PAUSE ➡*.
Réécoutez la portion qui vient d'être enregistrée	Appuyez sur le bouton ◀◀ REW/REVIEW sans le libérer durant l'enregistrement. Libérez-le à l'endroit voulu pour débiter l'écoute

\* PAUSE ➡ sera également relâchée automatiquement lorsque la touche ■ STOP est enfoncée (fonction stop-pause-relâchement).

### Pour écouter le son

Branchez un écouteur (non fourni) fermement à la prise EAR.

#### Remarque

- N'utilisez pas une cassette de type CrO<sub>2</sub> (TYPE II) ou métal (TYPE IV), autrement le son peut être déformé lorsque vous écoutez la cassette, ou l'enregistrement précédent peut ne pas être effacé complètement.
- Le commutateur SPEED CONTROL fonctionne uniquement en mode de lecture. L'enregistrement est réalisé indépendamment de cette commande.

### Remarques sur le système VOR (enregistrement activé par la voix) (TCM-465V/459V uniquement)

- Le système VOR dépend des conditions ambiantes. Si vous n'obtenez pas l'effet désiré, mettez VOR sur OFF.
- Lorsque vous utilisez le système VOR, l'appareil commence l'enregistrement uniquement lorsqu'un son est détecté. Par conséquent, il est possible que le début du mot ne soit pas enregistré. Pour un enregistrement important, nous vous recommandons de mettre VOR sur OFF.

### Localisation d'une position d'insertion d'index de repérage (TCM-465V uniquement)

Appuyez sur CUE MARKER en cours d'enregistrement. Vous entendez un signal sonore à la position d'insertion d'index de repérage lorsque vous appuyez sur FF/CUE ou REW/REVIEW pendant la lecture de la cassette.

Il peut s'avérer pratique de marquer un passage important d'une intervention, par exemple lors d'un interview, de manière à pouvoir retrouver rapidement ce passage en appuyant sur la touche FF/CUE ou REW/REVIEW pendant la lecture de la cassette.

#### Remarques

- Les index de repérage ne sont pas insérés si vous appuyez sur STOP ou PAUSE immédiatement après avoir appuyé sur CUE MARKER.
- Il se peut que vous entendiez des parasites à la position d'insertion d'index de repérage lorsque vous écoutez l'enregistrement avec des écouteurs sensibles.

### Pour empêcher qu'une cassette se fasse accidentellement enregistrer (voir Fig. B-③-④)

Brisez et retirez les onglets de la cassette. Pour enregistrer de nouveau sur la cassette, couvrez les trous d'onglets avec un ruban adhésif.

## Enregistrement au départ de différentes sources sonores (voir Fig. ⑤)

### Enregistrement avec un microphone externe

Branchez un microphone sur la prise MIC. Le point embossé à côté de la prise MIC identifie celle-ci comme une prise pour microphone et pas comme une prise pour écouteurs. Utilisez un microphone de faible impédance (moins de 3 kilohms), par exemple un ECM-T115 (non fourni). Si vous utilisez un microphone auto-alimenté, l'alimentation du microphone est assurée par cet appareil.

#### Remarque

Si vous enregistrez au départ d'un microphone externe, il se peut que le système VOR ne fonctionne pas correctement en raison de la différence de sensibilité.

### Enregistrement au départ d'un autre appareil

Branchez un autre appareil sur la prise MIC à l'aide d'un câble de connexion RK-G64HG (non fourni). (Pour le TCM-36 : au Japon, utilisez l'RK-G64, non fourni)

## Lecture d'une cassette (voir Fig. D)

- 1 Insérez une cassette avec le côté servant à la lecture face au compartiment de cassette.
- 2 Réglez la vitesse de lecture de la cassette. Réglez SPEED CONTROL sur : SLOW (lent) pour reproduire une cassette plus lentement. La position centrale pour reproduire une cassette à la vitesse normale. FAST (rapide) pour reproduire une cassette plus rapidement.
- 3 Appuyez sur ► PLAY puis ajustez le volume. La petite boule saillante à côté du bouton VOL montre dans quelle direction il faut le tourner pour baisser le volume.

La lecture s'arrête à la fin de la cassette et l'appareil se ferme automatiquement.

Pour	ressez ou faites coulisser
Arrêter la lecture, l'avance rapide ou le rembobinage	■ STOP
Pause de la lecture	PAUSE ➡ dans la direction de la flèche Pour relâcher la pause de lecture, relâchez PAUSE ➡*.

Faire défiler vers l'avant durant la lecture (CUE) Appuyez sur le bouton ►► FF/CUE sans le libérer et libérez-le lorsque vous le voulez

Faire défiler vers l'arrière durant la lecture (REVIEW) Appuyez sur le bouton ◀◀ REW/REVIEW sans le libérer et libérez-le lorsque vous le voulez

Avance rapide\*\* ►►► FF/CUE durant l'arrêt

Rembobiner\*\* ◀◀◀ REW/REVIEW durant l'arrêt

Débiter l'enregistrement ● REC

\* PAUSE ➡ sera automatiquement relâché lorsque ■ STOP est enfoncé (fonction stop-pause-relâchement).

\*\* Si vous laissez l'appareil après que la bande a été bobinée ou rebobinée, les piles s'épuiseront rapidement. Veillez à appuyer sur la touche ■ STOP.

## Informations supplémentaires

## Précautions

### Concernant l'alimentation

- Opérez l'appareil seulement sur le CC 3V. Pour une opération avec CA, utilisez l'adaptateur d'alimentation CA recommandé pour l'appareil. N'utilisez pas d'autre type. Pour l'opération avec pile, utilisez deux piles de type R6 (AA).

### Concernant l'appareil

- Ne laissez pas l'appareil près des sources de chaleur, ou dans un endroit exposé à la lumière directe, à la poussière excessive ou au choc physique.
- Si un objet solide ou un liquide devait tomber sur l'appareil, enlevez les piles ou débranchez l'adaptateur d'alimentation CA, et faites vérifier l'appareil par du personnel qualifié avant de l'opérer de nouveau.
- Gardez les cartes de crédit personnelles qui utilisent une bande de codification magnétique ou les montres remontées à ressort loin de l'appareil, pour empêcher les dommages qui pourraient être causés par l'aimant du haut-parleur de l'appareil.
- Si l'appareil n'a pas été utilisé depuis longtemps, réglez-le en mode de lecture et faites-le fonctionner pendant quelques minutes avant d'insérer une cassette.

### Concernant les cassettes de plus de 90 minutes

Nous ne recommandons pas l'utilisation de cassettes de plus de 90 minutes, sauf pour un enregistrement ou une lecture continu de longue durée. Elles sont très minces et ont tendance à s'étirer facilement.

Pour toutes questions ou tous problèmes concernant votre appareil, veuillez s'il vous plaît contacter votre concessionnaire Sony le plus près.

## Dépannage

Si le problème persiste après que vous avez procédé à ces contrôles, consultez votre revendeur Sony.

### Impossible d'enfoncer la touche ● REC.

→ L'onglet de la cassette est brisé.

### Impossible d'enfoncer la touche ► PLAY.

→ La cassette est arrivée en fin de bande. Rembobinez la cassette.

### L'appareil ne fonctionne pas.

- La polarité des piles est incorrecte.
- Les piles sont plates.
- Vous avez fait coulisser PAUSE ➡ dans le sens de la flèche.
- L'adaptateur d'alimentation ou le cordon pour batterie de voiture n'est pas fermement branché.
- Les piles ont été installées, mais l'adaptateur d'alimentation est simultanément raccordé et ne peut être branché sur une prise murale.

### Aucun son n'est diffusé par le haut-parleur.

- Les écouteurs sont branchés.
- Le volume est baissé complètement.

### La vitesse de la cassette est trop rapide ou lente en mode lecture.

- Le SPEED CONTROL est réglé ailleurs qu'au centre.

### Pertes de son ou parasites excessifs

- Le volume est baissé complètement.
- Les piles sont plates.
- Les têtes sont contaminées. Voir "Entretien".

### Impossible d'enregistrer

- Le raccordement est incorrect.
- Les piles sont plates.
- La tête de lecture/enregistrement est contaminée.
- Pour le TCM-465V: réglez le microphone plat ou le microphone relevable.
- Pour le TCM-459V: MIC SENS a été réglé à une mauvaise position lorsque la fonction VOR est active.

### L'enregistrement est interrompu.

- Pour le TCM-465V/459V: VOR est réglé à ON. Lorsque vous n'utilisez pas VOR, réglez-le à OFF.

### L'enregistrement ne peut être effacé complètement.

- La tête d'effacement est contaminée.
- L'enregistrement ou l'effacement se fait à l'aide d'une cassette CrO<sub>2</sub> (TYPE II) ou métallique (TYPE IV).

## Entretien (voir Fig. E)

### Pour nettoyer les têtes et autres pièces qui entrent en contact avec le ruban

Essuyez les têtes, roulettes d'entraînement, et les cabestans avec un tampon de coton humecté avec de l'alcool, à chaque 10 heures d'utilisation.

### Pour nettoyer l'extérieur

Utilisez un linge doux légèrement humecté d'eau. N'utilisez pas d'alcool, de benzine ou de diluant.

## Spécifications

### Système d'enregistrement

2 pistes. 1 canal monophonique

Gamme de fréquences

250 - 6.300 Hz

### Haut-parleur

Approx.3,6 cm (1 1/2 po.) dia.

### Puissance de sortie

300 mW (à 10% de distorsion harmonique)

### Entrée

Prise d'entrée de microphone (miniprise) sensibilité de 0,2 mV pour un microphone d'une impédance de 3 kilohms ou moins

### Sortie

Prise d'écouteur (minijack) pour écouteur de 8-300 ohms

de +30 % à -15 %

### Exigences d'alimentation

- Deux piles de type R6 (AA) (fournies uniquement avec le TCM-36 et le modèle touriste du TCM-465V). 3V CC
- La prise DC IN 3V accepte :
  - Adaptateur secteur AC-E30M (TCM-36 uniquement) ou AC-E30HG (non fourni) convenant au pays dans lequel l'appareil est appelé à être utilisé.
  - Cordon pour batterie de voiture DCC-E230 (non fourni) pour batterie de voiture de 12 V

### Dimensions (l/h/p) (parties saillantes et commandes comprises)

TCM-465V: Approx. 116 × 91 × 43mm (4½ × 3¾ × 1¾ po)

TCM-459V/36: Approx. 116 × 91 × 38mm (4½ × 3¾ × 1½ po)

### Masse (piles non comprises)

TCM-465V: Approx. 200 g (7,1 oz)/TCM-459V/36: Approx. 195 g (6,9 oz)

### Accessoires fournis

Piles de type R6 (AA) (2) (TCM-36 et le modèle touriste du TCM-465V uniquement)

La conception et les spécifications sont sujettes à modifications sans avis préalable.