

# *Mini Hi-Fi Component System*

---

Operating Instructions



*MHC-V818*

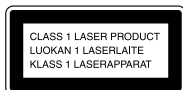
## WARNING

To prevent fire or shock hazard, do not expose the unit to rain or moisture.

To avoid electrical shock, do not open the cabinet. Refer servicing to qualified personnel only.

Do not install the appliance in a confined space, such as a bookcase or built-in cabinet.


Laser component in this product is capable of emitting radiation exceeding the limit for Class 1.





This appliance is classified as a CLASS 1 LASER product. The CLASS 1 LASER PRODUCT MARKING is located on the rear exterior.

This stereo system is equipped with the Dolby B-type noise reduction system\*.

\* Manufactured under license from Dolby Laboratories Licensing Corporation.

DOLBY and the double-D symbol  are trademarks of Dolby Laboratories Licensing Corporation.

## This system can play the following discs

	VIDEO CDs	Audio CDs
Disc logo		
Contents	Audio + Video (moving pictures)	Audio
Disc size	12 cm/8 cm	12 cm/8 cm
Play time	74 min./20 min.	74 min./20 min.

### Note on VIDEO CDs

This system conforms to VIDEO CDs without PBC functions (Ver. 1.1) and VIDEO CDs with PBC functions (Ver. 2.0) of VIDEO CD standards. You can enjoy two kinds of playback according to the disc type.

Disc type	You can
VIDEO CDs without PBC functions (Ver. 1.1 discs)	Enjoy video playback (moving pictures) as well as audio CDs.
VIDEO CDs with PBC functions (Ver. 2.0 discs)	Play interactive software using menu screens displayed on the TV screen (menu playback), in addition to the video playback function of VIDEO CDs without PBC functions. Moreover, you can play high or standard quality still picture.

\* PBC = Play Back Control

---

# Table of Contents

---

## Getting Started

Step 1: Hooking up the system .....	4
Step 2: Setting the time .....	8
Step 3: Presetting radio stations .....	9
Connecting optional AV components .....	10

## Basic Operations

Playing a VIDEO CD .....	14
Playing a CD .....	16
Recording a CD/VIDEO CD .....	18
Listening to the radio .....	19
Recording from the radio .....	20
Playing a tape .....	21
Recording from a tape .....	23
Singing along: Karaoke .....	24

## The VIDEO CD/CD Player

Playing a VIDEO CD with PBC functions (Ver. 2.0) .....	26
Checking the remaining time .....	27
Using the on-screen display .....	28
Locating a specific part of a disc .....	30
Resuming playback from the point you stopped a VIDEO CD .....	34
Setting the sharpness .....	35
Playing the CD tracks repeatedly .....	36
Playing the CD tracks in random order .....	37
Programming the CD tracks .....	38
Playing CDs without interruption .....	39

## The Tape Deck

Recording on a tape manually .....	40
Recording a CD by specifying track order .....	41

## DJ Effects

Looping part of a CD .....	43
Flashing part of a CD .....	43
Using the drum pads .....	44
Using the beat functions .....	45

## Sound Adjustment

Adjusting the sound .....	47
Selecting the audio emphasis .....	48
Selecting surround effects .....	49
Adjusting the graphic equalizer .....	49
Making a personal audio emphasis file .....	50
Switching the speaker formation .....	51

## Other Features

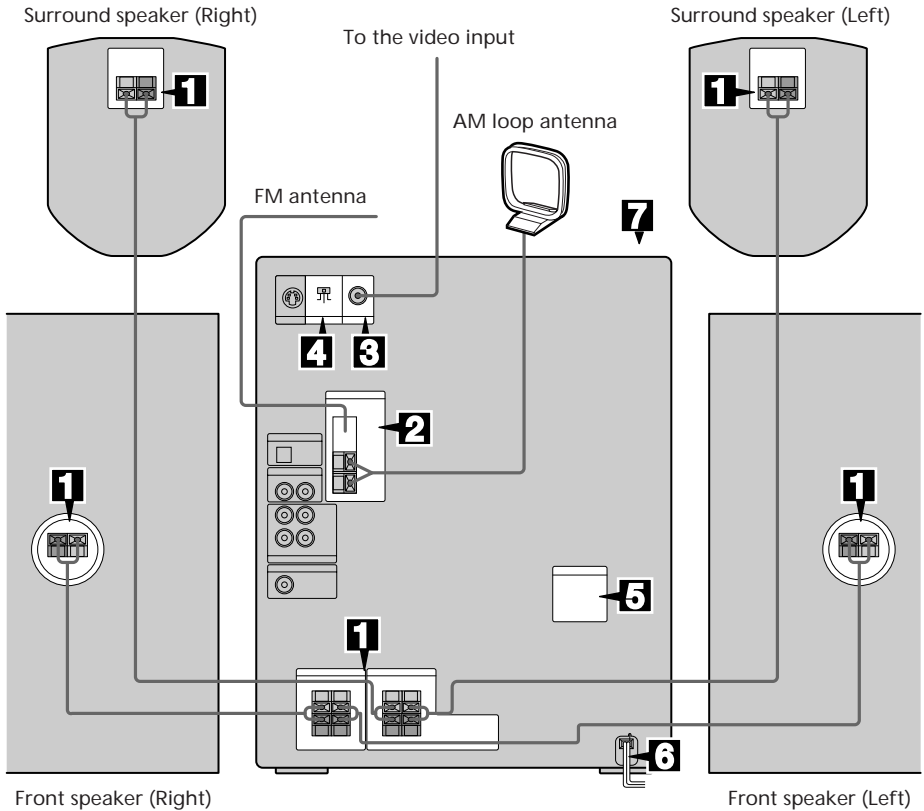
Mixing and recording sounds .....	53
Falling asleep to music .....	54
Waking up to music .....	54
Timer-recording radio programs .....	56

## Additional Information

Precautions .....	57
Troubleshooting .....	58
Specifications .....	61
Glossary .....	63
Index .....	(Back cover)

## Step 1: Hooking up the system

Do the following procedure **1** to **7** to hook up your system using the supplied cords and accessories.

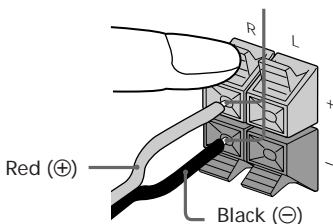


### **1** Connect the speakers.

1 Connect the speaker cords of front speakers to the **SPEAKER** jacks of the same color.

Keep the speaker cords away from the antennas to prevent noise.

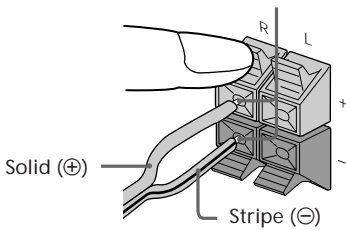
Insert only the stripped portion.



2 Connect the speaker cords from the surround speakers to the appropriate **SURROUND SPEAKER** jacks. Connect the solid cords to the red jacks and connect the striped cords to the black jacks.

Keep the speaker cords away from the antennas to prevent noise.

Insert only the stripped portion.



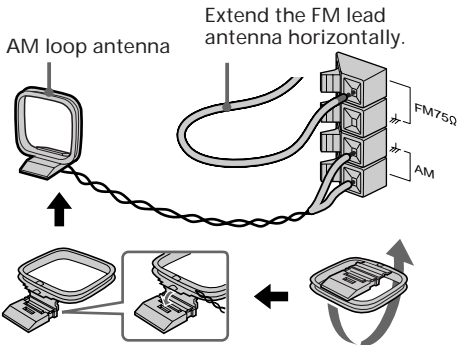
**Notes**

- Do not place the surround speakers on top of a TV. This may cause distortion of the colors in the TV screen.
- Be sure to connect both left and right surround speakers. Otherwise, the sound will not be heard.

**2** Connect the FM/AM antennas.

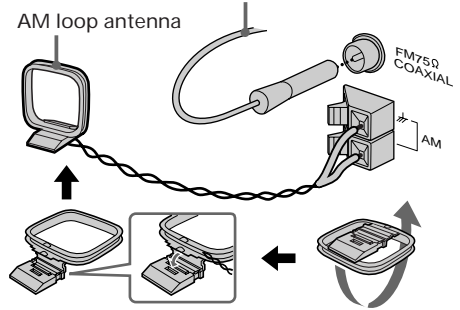
Set up the AM loop antenna, then connect it.

**Jack type (A)**

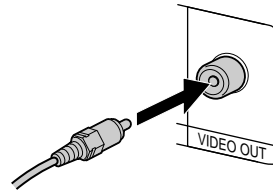


**Jack type (B)**

Extend the FM lead antenna horizontally.



**3** Connect the video input jack of your TV to the VIDEO OUT jack with the supplied video connecting cable.



**When using a TV**

Turn on the TV and select the video input so you can view the pictures from this system.

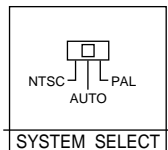
**Tip**

For even higher quality video images, you can use an optional S VIDEO cord to connect the S VIDEO input jack on your TV to the S VIDEO OUT jack

continued

## Step 1: Hooking up the system (continued)

- 4 Set SYSTEM SELECT (color system) to the appropriate position (PAL or NTSC), according to your TV.



**If your TV automatically changes the color system according to the input signal:**

The factory setting (AUTO) automatically changes the color system of the video output according to the color system of the current VIDEO CD.

**If the color system of your TV is NTSC:**  
Set SYSTEM SELECT to NTSC.

Pictures recorded in the PAL color system will be stretched vertically and will be displayed with the upper and lower parts of the picture cut off.

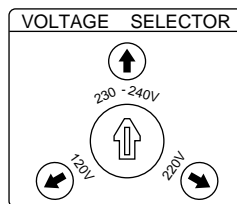
**If the color system of your TV is PAL:**  
Set SYSTEM SELECT to PAL.

Pictures recorded in the NTSC color system will be stretched horizontally and will be displayed with the upper and lower parts of the screen masked in black.

### Note

Be sure to turn off the system before changing the SYSTEM SELECT setting.

- 5 Set VOLTAGE SELECTOR to position of your local power line voltage (for models with a voltage selector).

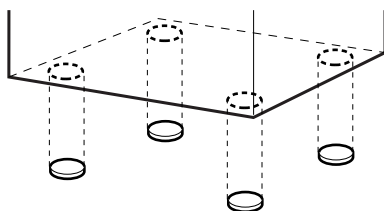


- 6 Connect the power cord to a wall outlet.  
Demo mode appears in the display.

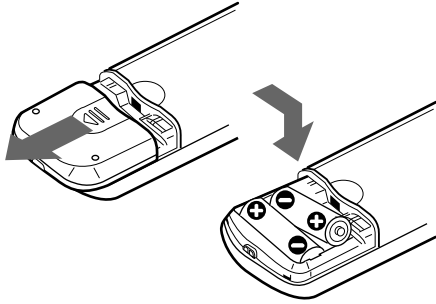
- 7 Deactivate the demo mode by pressing DEMO when the system power is turned off.  
The demo mode is also deactivated when you set the time.

## To attach the front speaker pads

Attach the supplied front speaker pads to the bottom of the speakers to stabilize the speakers and prevent them from slipping.

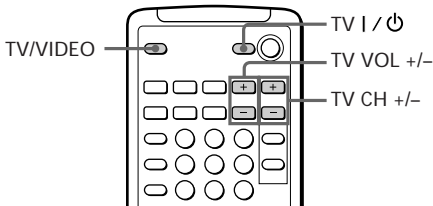


## Inserting two size AA (R6) batteries into the remote



## Using the remote

You can use the shaded buttons shown below to operate Sony TV.



To	Press
Turn the TV on or off	TV I / ⏻.
Switch the TV's video input	TV/VIDEO.
Change the TV channels	TV CH +/-.
Adjusts the volume of the TV speaker(s)	TV VOL +/-.

## Tip

With normal use, the batteries should last for about six months. When the remote no longer operates the system, replace both batteries with new ones.

## Note

If you do not use the remote for a long period of time, remove the batteries to avoid possible damage from battery leakage.

## When carrying this system

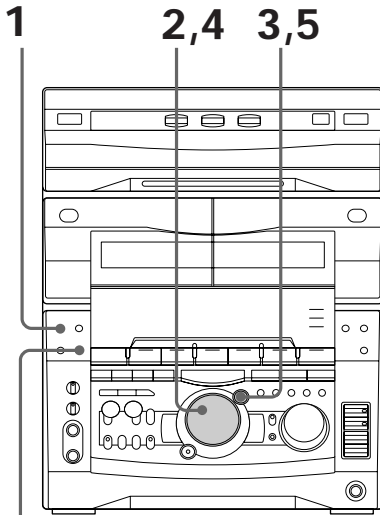
Do the following to protect the CD mechanism.

- 1 Press FUNCTION repeatedly until "CD" appears in the display.
- 2 Hold down CD LOOP and press | / ⏻ so that "LOCK" appears in the display.

---

## Step 2: Setting the time

You must set the time before using the timer functions.



DEMO

---

**4** Turn the jog dial to set the minute.

---

**5** Press ENTER/NEXT.  
The clock starts working.

---

### Tips

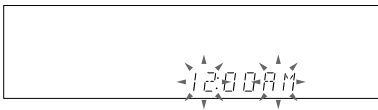
- If you've made a mistake, start over from step 1.
- Setting the time deactivates the demo mode.  
If you want to display the demo mode, press DEMO when the power is off.

### Note

The previous explanation shows you how to set the time while the power is off. To change the time while the power is on, do the following:

- 1 Press CLOCK/TIMER SET.
- 2 Turn the jog dial to select "SET CLOCK".
- 3 Press ENTER/NEXT.
- 4 Perform steps 2 through 5 above.

- 
- 1** Press CLOCK/TIMER SET.  
The hour indication flashes.



- 
- 2** Turn the jog dial to set the hour.

- 
- 3** Press ENTER/NEXT.  
The minute indication flashes.

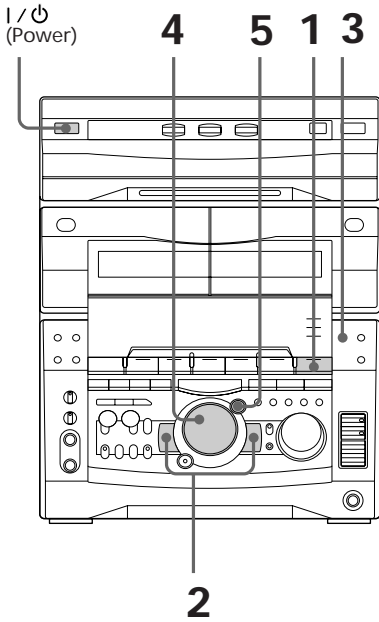




# Step 3: Presetting radio stations

You can preset the following number of stations:

- 2 band model: 20 for FM, 10 for AM.
- 3 band model: 20 for FM, 10 for MW, and 10 for SW.



**1** Press TUNER/BAND repeatedly until the band you want appears in the display.

The bands you can receive vary depending on the model you purchased. Be sure to check which bands you can receive.

Every time you press this button, the band changes as follows:

2 band model:

FM ↔ AM

3 band model:

FM → MW → SW

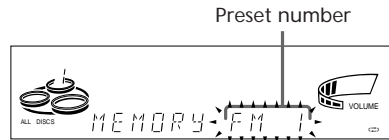


**2** Press and hold + or - until the frequency indication starts to change, then release.

Scanning stops when the system tunes in a station. "TUNED" and "STEREO" (for a stereo program) appear.



**3** Press TUNER MEMORY.  
A preset number appears in the display.



**4** Turn the jog dial to select the preset number you want.

**5** Press ENTER/NEXT.  
The station is stored.

**6** Repeat steps 1 to 5 to store other stations.

## To tune in a station with a weak signal

Press + or - repeatedly in step 2 to tune in the station manually.

## To change the preset number

Start over from step 1.

continued

### Step 3: Presetting radio stations (continued)

#### To change the AM tuning interval

The AM tuning interval is factory set to 9 kHz (10 kHz in some areas). To change the AM tuning interval, tune in any AM station first, then turn off the power. While holding down the ENTER/NEXT button, turn the power back on. When you change the interval, AM preset stations will be erased. To reset the interval, repeat the same procedure.

#### Tip

The preset stations are retained for half a day even if you unplug the power cord or if a power failure occurs.

## Connecting optional AV components

To enhance your system, you can connect optional components. Refer to the instructions of each component.

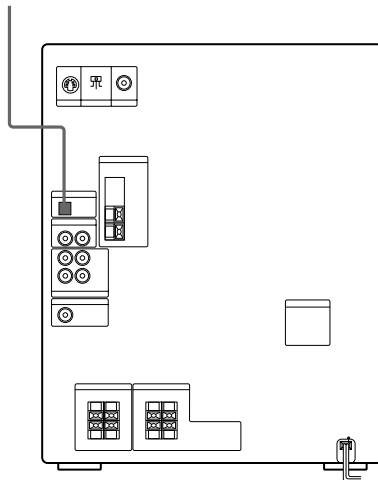
### Connecting audio components

Select one of the following two connections, depending on the equipment to be connected and method of connecting.

#### Connecting an MD deck for digital recording

You can record from CD into the MD deck digitally by connecting an optical cable.

To the DIGITAL IN jack of the MD deck



#### Note

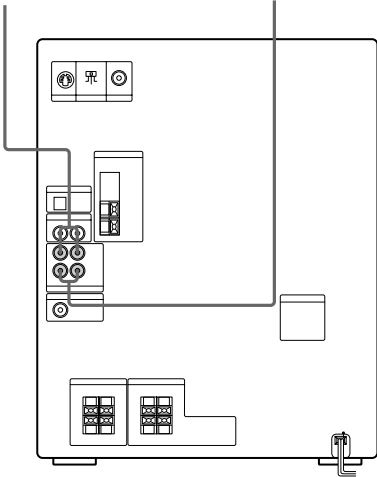
You cannot record from a VIDEO CD to an MD deck digitally. When you record from a VIDEO CD to an MD deck, connect an optional audio cable to the audio output. (See "Connecting an MD deck for analog recording.")

## Connecting an MD deck for analog recording

Make sure to match the color of the plugs and the connectors. To listen to the sound of the connected MD deck, press FUNCTION repeatedly until “MD” appears.

To the audio output of the MD deck

To the audio input of the MD deck

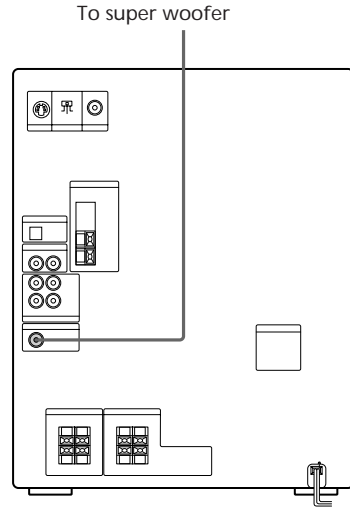


### Tip

When you connect a Sony MD deck, you can use the MD ▶, ⏸, and ■ buttons on this unit's remote to perform play, pause, and stop operations.

## Connecting a super woofer speaker

You can connect an optional super woofer speaker.



continued

**Connecting optional AV components (continued)**

**Connecting a VCR**

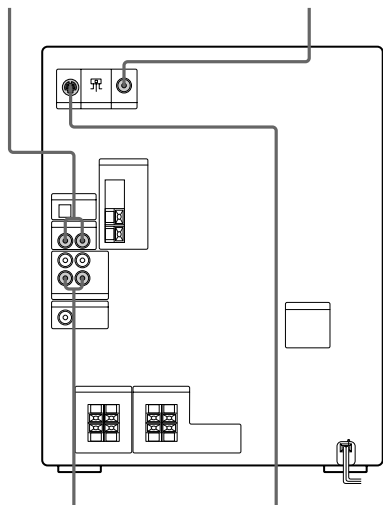
Make sure to match the color of the plugs and the connectors. To listen to the sound of the connected VCR, press FUNCTION repeatedly until "VIDEO" appears.

By connecting the audio output jacks of your VCR to the VIDEO (AUDIO) IN jacks using an optional audio cable, you can enjoy video playback in powerful stereo sound.

Moreover, if you connect the video input on the VCR to the MD OUT jacks and VIDEO OUT (or S VIDEO OUT) jack using the supplied video connecting cable (or an optional S VIDEO connecting cable), you can record the audio and video signals from a VIDEO CD onto video tape.

To the audio outputs of the VCR using an optional audio cable

To the video input of the VCR using the video cable



To the audio inputs of the VCR using an optional audio cable

To the S VIDEO input of the VCR using an optional S VIDEO cable

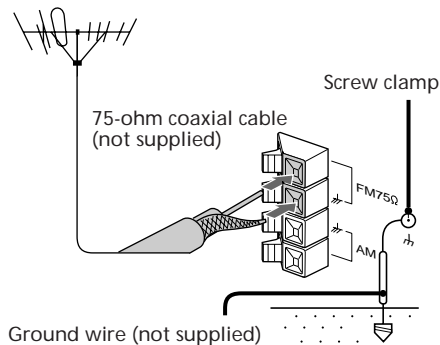
**Connecting outdoor antennas**

Connect the outdoor antenna to improve the reception.

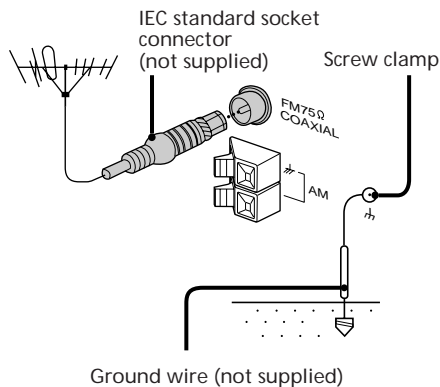
**FM antenna**

Connect the optional FM outdoor antenna. You can also use the TV antenna instead.

**Jack type ①**



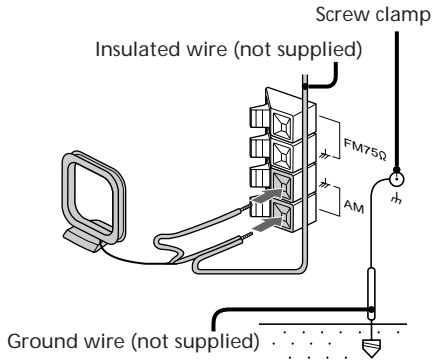
**Jack type ②**



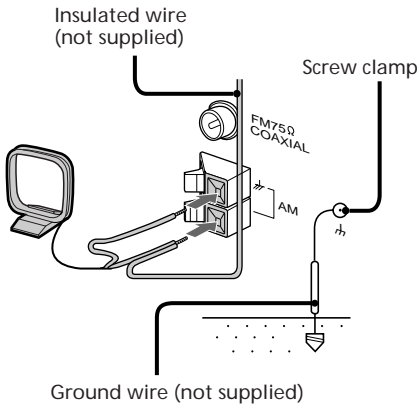
## AM antenna

Connect a 6- to 15- meter (20- to 50- feet) insulated wire to the AM antenna terminal. Leave the supplied AM loop antenna connected.

### Jack type ①



### Jack type ②



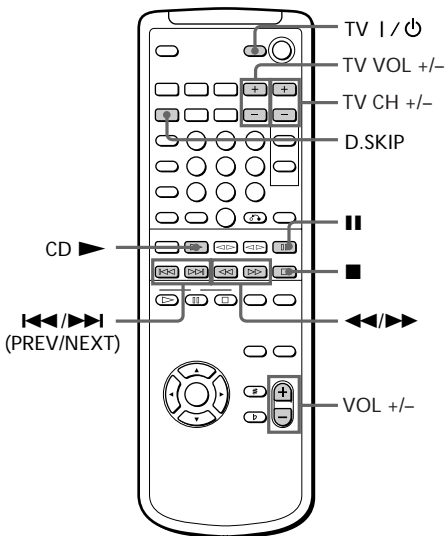
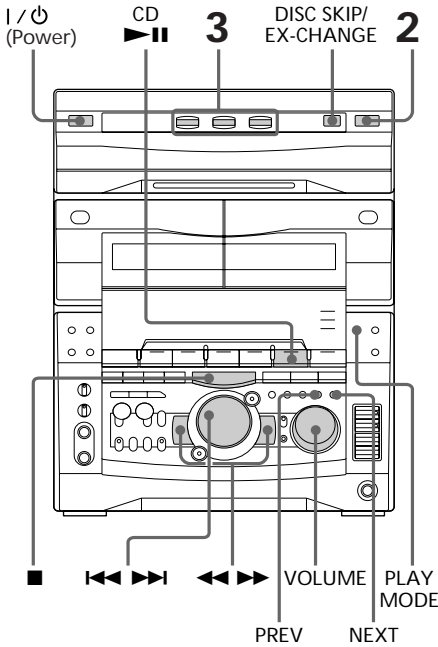
## Important

If you connect an outdoor antenna, ground from *h* terminal with the screw clamp. To prevent a gas explosion, do not connect the ground wire to a gas pipe.

## Playing a VIDEO CD

You can play both VIDEO CDs without PBC functions (Ver. 1.1) and VIDEO CDs with PBC functions (Ver. 2.0).

You can enjoy two kinds of playback according to the disc type.



- 1 Turn on your TV and select the video input.  
Refer to the operating instructions supplied with your TV if you need help.

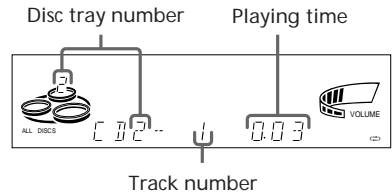
- 2 Press **⏸** and place up to two VIDEO CDs on the disc tray.  
If a disc is not placed properly, it will not be recognized.

With the label side up. When you play a VIDEO CD single, place it on the inner circle of the tray.



To insert a third disc, press DISC SKIP/ EX-CHANGE to rotate the disc tray.

- 3 Press one of the DISC 1~3 buttons.  
The disc tray closes and playback starts. If you press CD ▶⏸ (or CD ▶ on the remote) when the disc tray is closed, playback starts from the CD whose button is lit green.



To	Do this
Stop play	Press ■.
Pause	Press CD ►   (or    on the remote)*1. Press again to resume play.
Select a track or scene	Press NEXT to go forward, PREV to go back. Or, during play or pause, turn the jog dial clockwise (to go forward) or counterclockwise (to go back) and release it when you reach the desired track. (Or press ►► (to go forward) or ◀◀ (to go back) on the remote.)*2
Find a point in a track or scene*2 (Lock Search function)	Press ◀◀ or ►► during playback. ① Press once to start searching. ② Press again to increase the search speed. Each time you press the button, the speed changes as follows: 1 (slow) → 2 (normal) → 3 (high) → 1 (slow) ... ③ Press CD ►   to stop searching at the desired point.
Select a VIDEO CD in stop mode	Press a DISC 1~3 button or DISC SKIP/EX-CHANGE (or D.SKIP on the remote).
Play only the VIDEO CD you have selected	Press PLAY MODE repeatedly until "1 DISC" appears.
Play all VIDEO CDs*3	Press PLAY MODE repeatedly until "ALL DISCS" appears.
Remove the VIDEO CD	Press ☰.
Exchange other VIDEO CDs while playing	Press DISC SKIP/EX-CHANGE.
Adjust the volume	Turn VOLUME (or press VOL +/- on the remote).

\*1 There may be some disturbance in the video image.

\*2 Only for VIDEO CDs without PBC functions (Ver. 1.1).

\*3 This function cannot be used during menu playback of a VIDEO CD with the PBC functions (Ver. 2.0).

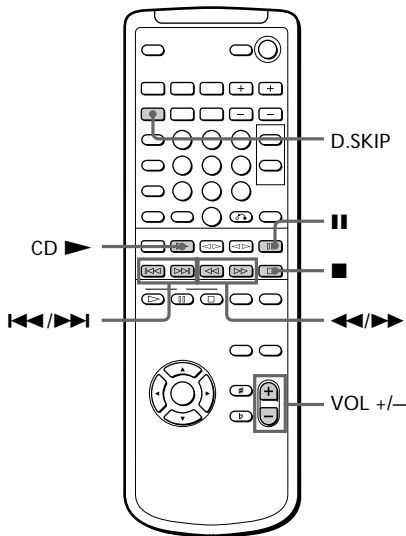
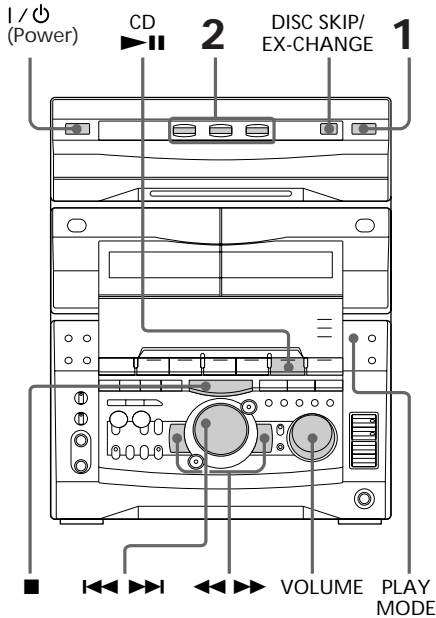
## Tips

- Pressing CD ►|| when the power is off automatically turns the power on and starts VIDEO CD playback if there is a VIDEO CD in the tray (One Touch Play).
- You can switch from another source to the VIDEO CD player and start playing a VIDEO CD just by pressing CD ►|| or the DISC 1~3 buttons (Automatic Source Selection).
- If there is no VIDEO CD in the player, "CD NO DISC" appears in the display.
- When a disc tray holding a VIDEO CD is selected (or playing), the DISC 1~3 button for that tray lights green. When a disc tray holding a VIDEO CD is not selected, the DISC 1~3 button for that tray lights orange. When all disc trays are empty, the DISC 1~3 buttons all light green.

# Playing a CD

## — Normal play

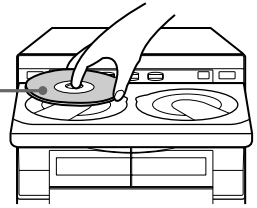
You can play up to three CDs in a row.



- 1 Press and place up to two CDs on the disc tray.

If a disc is not placed properly it will not be recognized.

With the label side up. When you play a CD single, place it on the inner circle of the tray.

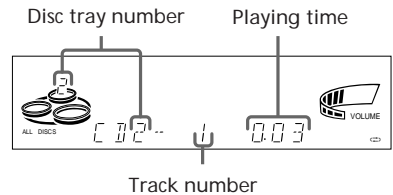


To insert a third disc, press DISC SKIP/ EX-CHANGE to rotate the disc tray.

- 2 Press one of the DISC 1~3 buttons.

The disc tray closes and play starts.

If you press CD ▶▶ (or CD ▶ on the remote) when the disc tray is closed, play starts from the CD loaded on the tray whose button is lit green.





To	Do this
Stop play	Press ■.
Pause	Press CD ►   (or    on the remote). Press again to resume play.
Select a track	During play or pause, turn the jog dial clockwise (to go forward) or counterclockwise (to go back) and release it when you reach the desired track. (Or press ►► (to go forward) or ◀◀ (to go back) on the remote.)
Find a point in a track (Lock Search function)	Press ◀◀ or ►► during playback. Press CD ►   to stop searching at the desired point.
Select a CD in stop mode	Press a DISC 1~3 button or DISC SKIP/EX-CHANGE (or D.SKIP on the remote).
Play only the CD you have selected	Press PLAY MODE repeatedly until "1 DISC" appears.
Play all CDs	Press PLAY MODE repeatedly until "ALL DISCS" appears.
Remove the CD	Press ☰.
Exchange other CDs while playing	Press DISC SKIP/EX-CHANGE.
Adjust the volume	Turn VOLUME (or press VOL +/- on the remote).

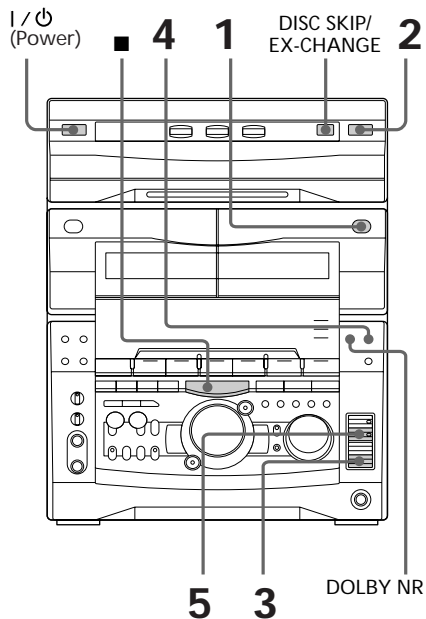
## Tips

- Pressing CD ►|| when the power is off automatically turns the power on and starts CD playback if there is a CD in the tray (One Touch Play).
- You can switch from another source to the CD player and start playing a CD just by pressing CD ►|| or the DISC 1~3 buttons (Automatic Source Selection).
- If there is no CD in the player, "CD NO DISC" appears in the display.
- When a disc tray holding a CD is selected (or playing), the DISC 1~3 button for that tray lights green. When a disc tray holding a CD is not selected, the DISC 1~3 button for that tray lights orange. When all disc trays are empty, the DISC 1~3 buttons all light green.

# Recording a CD/VIDEO CD

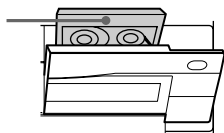
## — CD Synchro Recording

The CD SYNC button lets you record from a CD to a tape easily. You can use TYPE I (normal) or TYPE II (CrO<sub>2</sub>) tapes. The recording level is adjusted automatically.



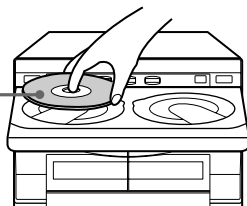
- 1 Press and insert a blank tape into deck B.

With the side you want to record facing forward



- 2 Press and place a CD. Then press again to close the disc tray. If the indicator for the tray you want to record is not lit green, press DISC SKIP/EX-CHANGE repeatedly so that it lights green.

With the label side up. When you play a single CD, place it on the inner circle of the tray.



- 3 Press CD SYNC. Deck B stands by for recording and the CD player stands by for playback. The indicator on TAPE B (for front side) lights up.
- 4 Press DIRECTION repeatedly to select to record on one side. Select (or RELAY) to record on both sides.
- 5 Press PAUSE. Recording starts.

### To stop recording

Press .

### Tips

- If you want to record from the reverse side, press TAPE B to light its indicator after pressing CD SYNC.
- When you record on both sides, be sure to start from the front side. If you start from the reverse side, recording stops at the end of the reverse side.
- When you want to reduce the hiss noise in low-level high-frequency signals, press DOLBY NR so that "DOLBY NR" appears after pressing CD SYNC.

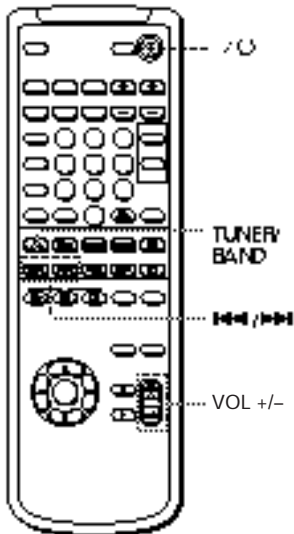
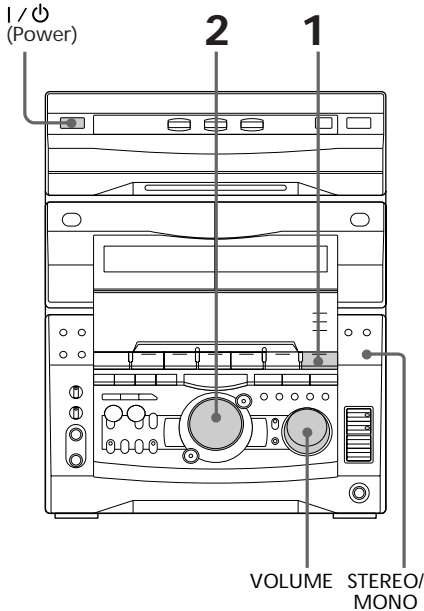
### Note

You cannot listen to other sources while recording.

# Listening to the radio

## -- Preset Tuning

Preset radio stations in the tuner's memory first (see "Step 3: Presetting radio stations").



- 1 Press TUNER/BAND repeatedly until the band you want appears in the display.

The bands you can receive vary depending on the model you purchased. Be sure to check which bands you can receive.

Every time you press the button, the band changes as follows:

2 band model:

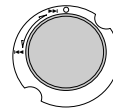
FM ↔ AM

3 band model:

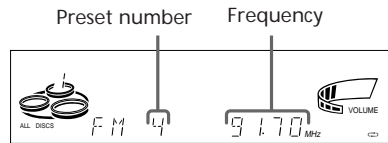
FM → MW → SW

- 2 Turn the jog dial (or press ⏪ or ⏩ on the remote) to tune in the desired preset station.

Turn counter-clockwise (or press ⏪ on the remote) for lower preset numbers.



Turn clockwise (or press ⏩ on the remote) for higher preset numbers.



To	Do this
Turn off the radio	Press 1 / ⏻.
Adjust the volume	Turn VOLUME (or press VOL +/- on the remote).

continued

## To listen to non-preset radio stations

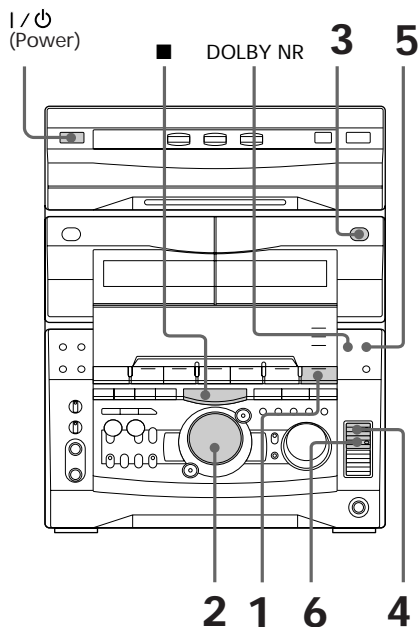
Use manual or automatic tuning in step 2. For manual tuning, press + or - repeatedly. For automatic tuning, press and hold + or -.

### Tips

- Pressing TUNER/BAND when the power is off automatically turns the power on and tunes to the last received station (One Touch Play).
- You can switch from another source to the radio just by pressing TUNER/BAND (Automatic Source Selection).
- When an FM program is noisy, press STEREO/MONO so that "MONO" appears in the display. There will be no stereo effect, but the reception will improve. Press the button again to restore the stereo effect.
- To improve broadcast reception, reorient the supplied antennas.

## Recording from the radio

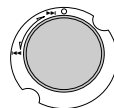
You can record the radio program on a tape by calling up a preset station. You can use TYPE I (normal) or TYPE II (CrO<sub>2</sub>) tapes. The recording level is automatically adjusted.



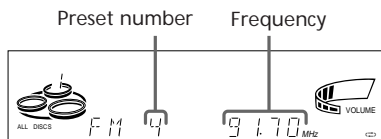
**1** Press TUNER/BAND to select the band you want.

**2** Turn the jog dial to tune in a preset station.

Turn counter-clockwise for lower preset numbers.

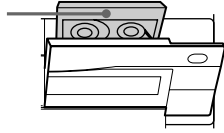


Turn clockwise for higher preset numbers.



- Press and insert a blank tape into deck B.

With the side you want to record facing forward



- Press REC.  
Deck B stands by for recording.

- Press **DIRECTION** repeatedly to select to record on one side. Select (or **RELAY**) to record on both sides.

- Press **PAUSE**.  
Recording starts.

### To stop recording

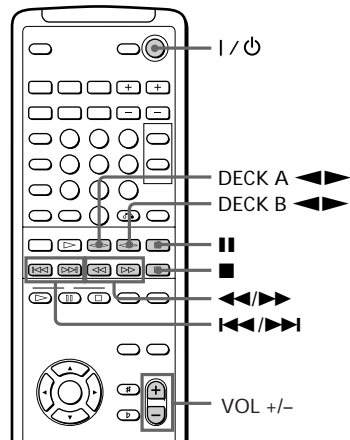
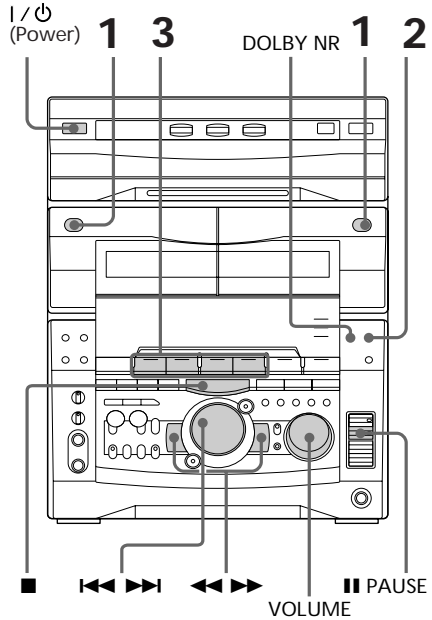
Press .

### Tips

- If you want to record from the reverse side, press **TAPE B** to light its indicator after pressing REC.
- When you record on both sides, be sure to start from the front side. If you start from the reverse side, recording stops at the end of the reverse side.
- To record non-preset stations, use + and - in step 2 to tune in the desired station manually.
- When you want to reduce the hiss noise in low-level high-frequency signals, press **DOLBY NR** so that "DOLBY NR" appears after pressing REC.
- If noise is heard while recording from the radio, move the respective antenna to reduce the noise.

## Playing a tape

You can use any type of tape, TYPE I (normal), TYPE II (CrO<sub>2</sub>) or TYPE IV (metal), since the deck automatically detects the tape type. You can also use the jog dial's AMS\* functions to quickly search for songs you want to hear. To select either deck A or B, press **DECK A** or **DECK B** on the remote.

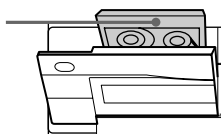




continued




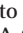
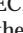
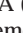
## Playing a tape (continued)

- 1 Press  and insert a recorded tape in deck A or B.

With the side you want to play facing forward











- 2 Press DIRECTION repeatedly to select  to play one side. Select \* to play both sides. To play both decks in succession, select RELAY (relay play).\*\*



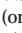

- 3 Press TAPE A (or TAPE B)  (DECK A (or DECK B)   on the remote). Press TAPE A (or TAPE B)  to play the reverse side. (Press DECK A (or DECK B)   again on the remote to play the reverse side.) The tape starts playing.

\* The deck stops automatically after repeating the sequence five times.

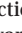
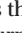


\*\* Relay play always follows the following sequence:  
Deck A (front side), Deck A (reverse side),  
Deck B (front side), Deck B (reverse side).

To	Do this
Stop play	Press  .
Pause	Press  PAUSE (or  on the remote). Press again to resume play.
Fast-forward	Press  or  .
Rewind	Press  or  .
Remove the cassette	Press  .
Adjust the volume	Turn VOLUME (or press VOL +/- on the remote).

## Tips

- Pressing TAPE A (or TAPE B)  or  when the power is off automatically turns the power on and starts tape playback if there is a tape in the deck (One Touch Play).
- You can switch from another source to the tape deck just by pressing TAPE A (or TAPE B)  or  (Automatic Source Selection).
- When you want to reduce the hiss noise in low-level high-frequency signals, press DOLBY NR so that "DOLBY NR" appears.
- When dubbing tapes originally recorded with Dolby NR, the dubbed tape is automatically played with Dolby NR.

## Searching for the beginning of a track (AMS\*)

During playback, turn the jog dial the same direction as the  or  indicator to go forward. Turn the opposite direction to go back. (Or press  or  on the remote.)

The search direction, + (forward) or - (back), and number of songs being skipped (1~9) appear in the display.

Example: searching forward 2 songs

T A P E A : : : + 2

\* AMS (Automatic Music Sensor)

## Notes

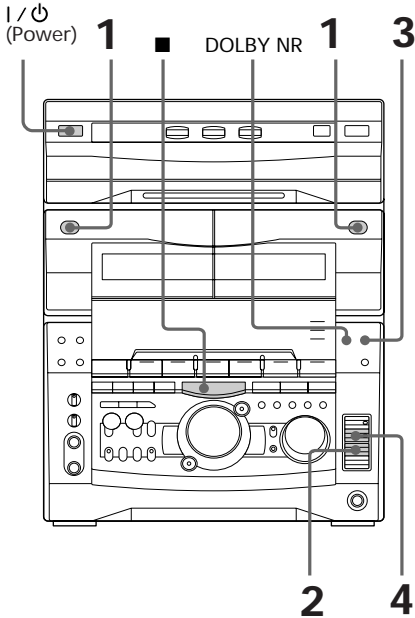
The AMS function may not operate correctly under the following circumstances:


- When the unrecorded space between songs is less than 4 seconds long.
- If completely different information is recorded on the left and right channels.
- When there are continuous sections of extremely low level or low frequency sound (like those of a baritone sax).
- When the unit is placed near a television. (In this case, we recommend moving the unit farther away from the television or turning off the television.)

# Recording from a tape

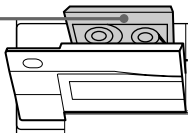
## — High-speed Dubbing

You can use TYPE I (normal) or TYPE II (CrO<sub>2</sub>) tapes. The recording level is automatically adjusted.





- 1 Press  and insert a recorded tape in deck A and a blank tape in deck B.

With the side you want to play/record facing forward



- 2 Press HI-DUB.  
Deck B stands by for recording.


- 3 Press DIRECTION repeatedly to select  to record on one side. Select  (or RELAY) to record on both sides.

- 4 Press  PAUSE.  
Dubbing starts.

### To stop dubbing

Press .

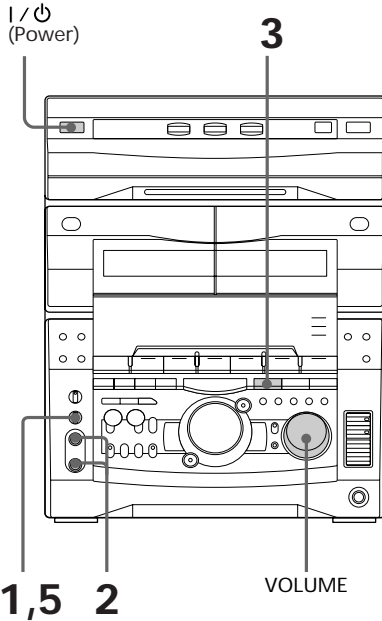
### Tips

- When you dub on both sides, start recording from the front side. If you record from the reverse side, recording stops at the end of the reverse side.
- If you set DIRECTION to  when the tapes you use have different lengths, the tape in each deck reverses independently. If you select RELAY, the tapes in both decks reverse together.
- You don't have to set DOLBY NR, since the tape in deck B is automatically recorded in the same state as the tape in deck A.

---

# Singing along: Karaoke

You can sing along with any stereo CD or tape by turning down the singer's voice. You need to connect an optional microphone.



- 
- 1 Turn MIC LEVEL to MIN to turn down the microphone control level.
  - 2 Connect an optional microphone to MIC 1 or MIC 2.
- 

- 
- 3 Press KARAOKE PON/MPX repeatedly to obtain the karaoke effect you desire.

Every time you press the button, the display changes as follows:

KARAOKE PON → MPX R → MPX L  
↑ EFFECT OFF (ON) ↓

The  indicator appears in the display when a karaoke mode is activated.

To sing karaoke with decreasing the vocal level of a CD, select "KARAOKE PON". To sing karaoke of multiplex CD or tape, select "MPX R" or "MPX L".

---

- 4 Start playing the music and adjust the volume.
- 


- 5 Adjust the microphone volume by turning MIC LEVEL.
- 

## When you use VIDEO CDs

Turn on your TV and switch it to the appropriate video input.

Refer to the operating instructions supplied with your TV for details.

## When you are done

Turn MIC LEVEL to MIN and disconnect the microphone from MIC 1 or MIC 2, then press KARAOKE PON/MPX repeatedly so that  disappears.

## Tip

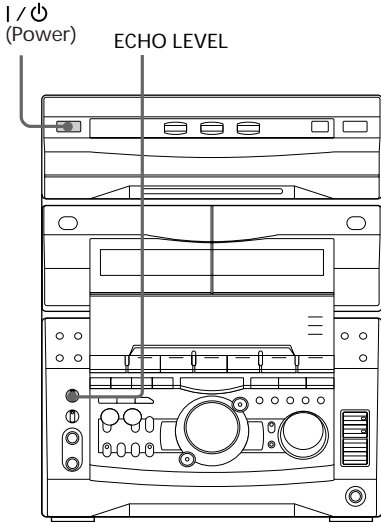
You can use two microphones connecting to MIC 1 and MIC 2 at the same time.

## Note

With some songs, vocals may not be cancelled when you select "KARAOKE PON".



## Adjusting the microphone echo



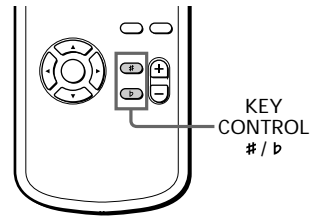
- 
- ➔ Turn ECHO LEVEL to adjust the echo effect.
- 

### To cancel the echoing

Turn ECHO LEVEL to MIN.

## Adjusting the key

This function allows you to adjust the key to suit your vocal range when playing a VIDEO CD or standard audio CD.



- 
- ➔ Press KEY CONTROL # or b.  
You can adjust the key higher of lower in 13 halftone steps (b 6 ~ # 6).
- 

### Note

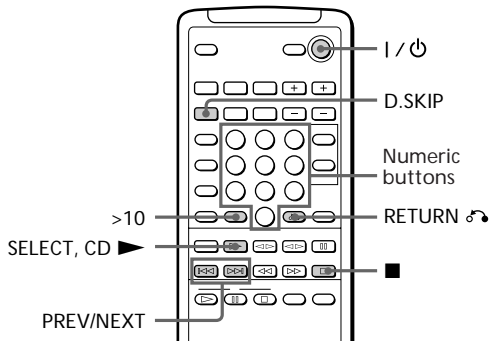
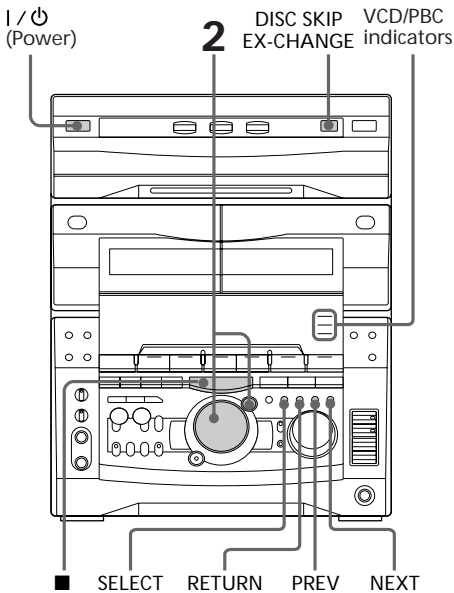
This function can be used with the CD/VCD player only.

## Playing a VIDEO CD with PBC functions (Ver. 2.0)

### — PBC Play

The PBC (Play Back Control) function display menus on your TV screen to let you enjoy interactive software.

Be sure to read the instructions supplied with each disc for details regarding its use since different discs have different menu formats and structures.



- 1 Start playing a VIDEO CD with PBC functions (Ver. 2.0).

The VIDEO CD and PBC indicators light up and a PBC menu appears on your TV.

- VIDEO CD : Lights during playback of a VIDEO CD.
- PBC : Lights during PBC playback of a PBC compatible VIDEO CD (Ver. 2.0).
- PBC OFF : Lights when a PBC compatible VIDEO CD (Ver. 2.0) is played without using the PBC functions (see below).

- 2 Turn the jog dial to select a number from the menu, then press ENTER/ NEXT or SELECT.

- 3 Continue according to the instructions on the menus to enjoy interactive playback.

To	Do this
Stop play	Press ■.
See the rest of a menu	Press NEXT.
Go back to the top of a menu	Press PREV.
Go back to a previous menu	Press RETURN (or ↵ RETURN on the remote).

## To cancel PBC Playback of VIDEO CDs with PBC functions (Ver. 2.0)

There are two ways to cancel the PBC functions.


- Before you start playing, select the track you want using the jog dial, **◀◀/▶▶**, then press **ENTER/NEXT** (or **CD ▶** on the remote).
- Before you start playing, select the track number using the number buttons on the remote.

The PBC OFF indicator lights up and playback begins from the selected track. Still images, such as the menu screens, will not be shown.

## To select a menu number using the remote

Press the numeric buttons in the order you want in step 2. To enter track numbers 10 or over, first press **>10**, then press the numerical buttons. To enter 0, use the **10/0** button.

### Tips

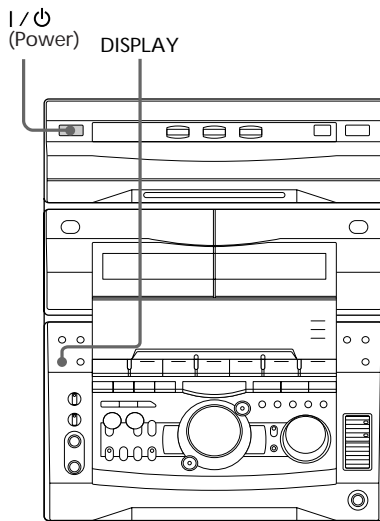
- When  appears on the TV screen, you have pressed an invalid button. Press a button indicated by the instructions on the menu screen.
- When you press **NEXT** during menu playback or while playing moving pictures, the next scene on the disc appears. Also refer to the instructions supplied with the disc.

### Note

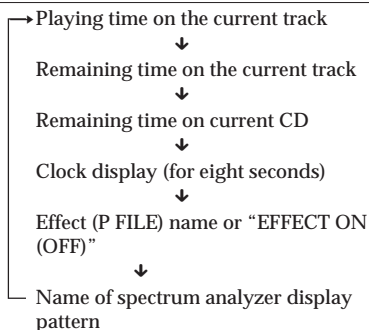
During menu playback, you cannot go to the next disc, even if you've selected "ALL DISCS."  
Press **D**. **SKIP** on the remote to go to the next disc.

## Checking the remaining time

You can check the remaining time of the current track or that of the CD.



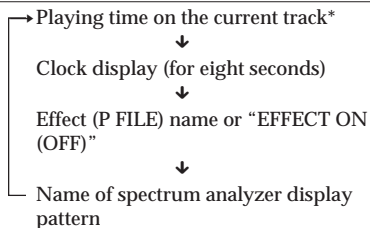
- ➔ **Press DISPLAY during playback.**  
Each time you press the button during normal playback, the display changes as follows:



continued

## Checking the remaining time (continued)

(VIDEO CDs with PBC functions  
(Ver. 2.0))



\* May not appear with still images, etc.

## To check the total playing time and the number of tracks on a CD

Press DISPLAY in the stop mode.

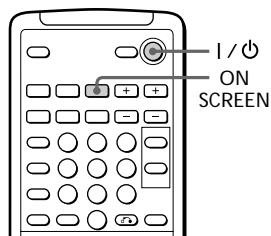
If you press DISPLAY again, the clock display  
appears for eight seconds then the display  
returns to the previous indication.

### Tip

While playing an audio CD or a VIDEO CD without  
PBC functions (Ver. 1.1), the current track number  
and playing time of the current track appear in the  
display.

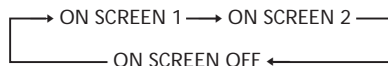
## Using the on-screen display

You can check the current operating status  
and disc information of VIDEO CDs or audio  
CDs during playback or in stop mode by  
superimposing a display on top of the images  
on your TV screen.



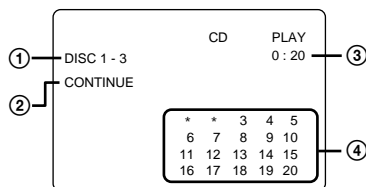
➔ Press ON SCREEN.

Each time you press this button, the on-  
screen display changes as follows:



## ON SCREEN 1 display

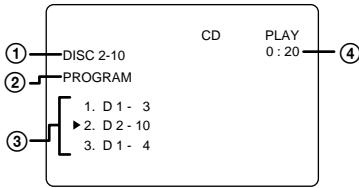
- During playback of an audio CD (except  
Program Play mode)



- ① Current disc and track number
- ② Play mode
- ③ Elapsed time of current track
- ④ Music calendar\*

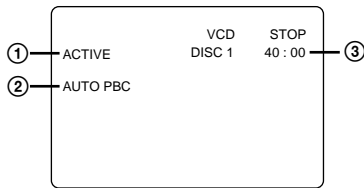
\* The track numbers in the numerical calendar  
disappear after they are played.

• During playback of an audio CD in Program Play mode



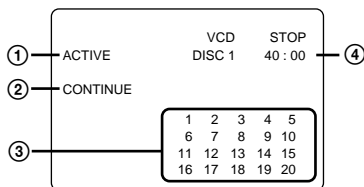
- ① Current disc and track number
- ② "PROGRAM"
- ③ Programmed disc and track numbers
- ④ Elapsed time of current track

• During stop mode of a VIDEO CD with PBC functions



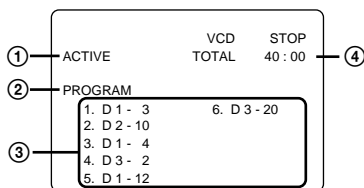
- ① "ACTIVE" or no display
- ② "AUTO PBC"
- ③ Total playing time of current disc

• During stop mode of a VIDEO CD or audio CD (except Program Play mode)



- ① "ACTIVE"\* or no display
  - ② Play mode
  - ③ Music calendar
  - ④ Total playing time of current CD
- \* For VIDEO CD only

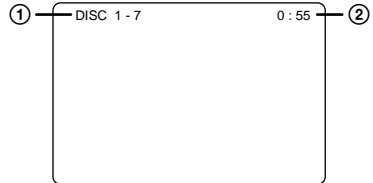
• During stop mode of a VIDEO CD or audio CD in Program Play mode



- ① "ACTIVE"\* or no display
  - ② "PROGRAM"
  - ③ Programmed disc and track numbers
  - ④ Total playing time of program
- \* For VIDEO CD only

**ON SCREEN 2 display**

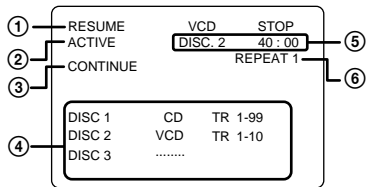
• During playback of a VIDEO CD



- ① Current disc and track number\*
  - ② Elapsed time of current track
- \* "SCENE" and number is displayed during menu playback of a VIDEO CD with PBC functions

• During playback of an audio CD  
Display is the same as ON SCREEN 1.

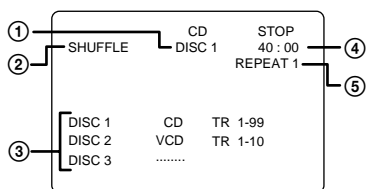
• During stop mode of a VIDEO CD (except Program Play mode)



- ① "RESUME" or no display
  - ② "ACTIVE" or no display
  - ③ Play mode\*
  - ④ Total track numbers of each disc
  - ⑤ Current disc number and total playing time of current disc.
  - ⑥ "REPEAT 1" or no display
- \* "AUTO PBC" display for a VIDEO CD with PBC functions

## Using the on-screen display (continued)

- During stop mode of an audio CD (except Program Play mode)



- ① Current disc number
- ② Play mode
- ③ Disc number and track numbers
- ④ Total playing time of current disc
- ⑤ "REPEAT 1" or no display

- During stop mode of a VIDEO CD or audio CD in Program Play mode

Display is the same as ON SCREEN 1.

## ON SCREEN OFF

No display (except for special menus).

### Notes

- Normally, leave the display mode set to either ON SCREEN 1 or 2. When you select ON SCREEN OFF, you cannot check the operating status while operating the CD player. In this case, check the information on the front panel display.
- When you record video signals played back from this system onto a video tape (etc.), be sure to select ON SCREEN OFF. Otherwise, the display information will also be recorded on the video tape.

## To switch language of on-screen display (Chinese model only)

You can switch the messages in the on-screen display from Chinese to English.

- 1 Press SPECIAL MENU.
- 2 Press 6.

The messages switch from Chinese to English.

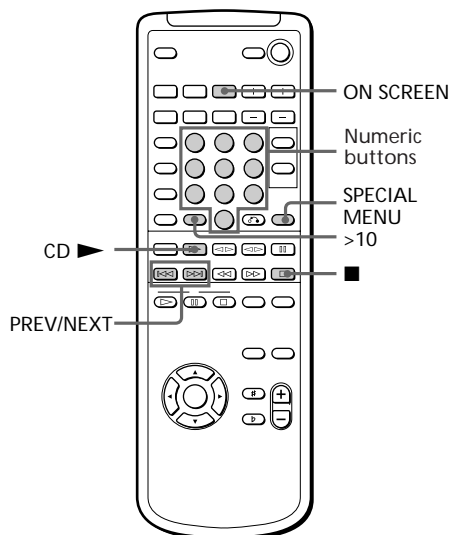
To switch back to Chinese messages, repeat this operation.

## Locating a specific part of a disc

### -- Special Menu

This player has 4 different search features. Select the search feature you want from the SPECIAL MENU.

The TV screen must be ON to use these functions.



# Locating by Scene Number

## — Scene Search

On VIDEO CDs with PBC functions (Ver. 2.0), the menu screens, moving pictures, and still pictures are divided into “scenes” and each scene has an assigned scene number. This function lets you start playback from a specific scene.

---

**1** Start playing a VIDEO CD with PBC functions (Ver. 2.0).

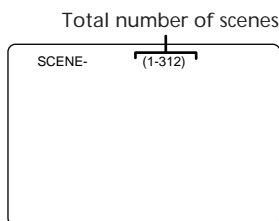
---

**2** Press SPECIAL MENU.

---

**3** Press 1 to select “1) SCENE SEARCH”.

“SCENE -” and the total number of scenes appear on the TV screen.

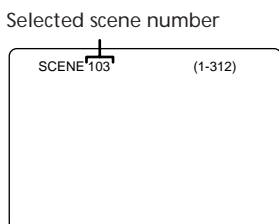


---

**4** Press the numeric buttons (1 - 10/0) to select the scene you want.

To enter scene number 103:

Press 1 → 10/0 → 3. The selected scene number appears on the TV screen.



---

**5** Press CD ►.

Playback starts from the selected scene.

---

## To stop playback

Press ■.

## To check the scene number during playback

Press ON SCREEN repeatedly to select the ON SCREEN 2 display mode. The scene number appears on the TV screen. (See “Using the On-Screen Display” for details.)

## Notes

- On some CDs, you may not be able to start playing from the scene you select because starting playback from certain scenes is prohibited. In this case, play either starts from scene 1 (during stop mode) or continues from the current scene (during playback).
- Some CDs may not display the scene you select on the TV screen.
- When you select the ON SCREEN OFF display mode, no information is shown on the TV screen.

continued

## Locating a specific part of a disc (continued)

### Locating by elapsed time

#### -- Time Search

This function lets you use elapsed time as a guide to find a certain parts of a VIDEO CD without PBC functions (Ver. 1.1). "Elapsed time" means the time from the beginning of the disc. It is not the playing time of the current track as shown in the display.

It is especially useful when playing discs that have only a few track divisions.

This function cannot be used during menu playback of VIDEO CDs with PBC functions (Ver. 2.0).

---

**1** Press SPECIAL MENU.

---

**2** Press 2 to select "2) TIME SEARCH."

---

**3** Press the numeric buttons (1 - 10/0) to enter the time (in minutes) for the section you want.

To enter 10 minutes: Press 1 → 10/0.

The selected elapsed time appears on the TV screen.

To reenter the time: Press CLEAR, and then press 1 → 10/0 again.

---

**4** Press CD ►.  
Playback starts from the selected time.

---

#### To stop playback

Press ■.

#### To use time search with VIDEO CDs with PBC functions (Ver. 2.0)

Select "2) TIME SEARCH" before you start playing the VIDEO CD, to light the PBC OFF indicator and play without PBC functions.

## Locating the track you want

#### -- Disc Digest

You can select the track you want by viewing the first frame of each track. Either 9 or 12 different tracks can be displayed on the TV screen at one time.

This function cannot be used during menu playback of VIDEO CDs with PBC functions (Ver. 2.0).

---

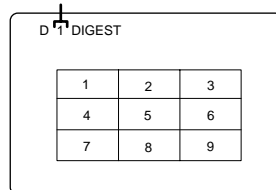
**1** Press SPECIAL MENU.

---

**2** Press 3 to select "3) DISC DIGEST."  
The first frame of tracks 1 through 9 (in default setting) on the current disc are displayed.

The sound of the first three seconds of each track on an audio CD plays, but there is no sound when using a VIDEO CD.

Current disc number



---

**3** Press the numeric buttons (1 - 10/0) to select the track you want.

---

#### To stop playback

Press ■.



## To switch to a 12 frame display

You can switch the digest display from 9 to 12 frames.

- 1 Press SPECIAL MENU.
- 2 Press 5.
- 3 Proceed with steps 1 and 2 of “Locating the track you want”. The first frames of tracks 1 through 12 are displayed.

To switch back to the 9 frame display, repeat this operation.

## To display the next 9 or 12 tracks

Press NEXT. The first frame of tracks 10 through 18 (or 13 through 24) are displayed.

When there are more tracks in the disc, “▶▶” appears in the upper right corner of the TV screen.

To display previous tracks, press PREV.

## To switch to the digest of another disc during disc digest

Press D. SKIP during disc digest.

## To use disc digest with VIDEO CDs with PBC functions (Ver. 2.0)

Select “3) DISC DIGEST” before you start playing the VIDEO CD, to light the PBC OFF indicator and play without PBC functions.

### Tips

- In step 2, you can select tracks even if they have not been displayed yet. Use the numeric buttons to select the track you want.
- In step 2, you can play the track you want immediately after the first frame is displayed by pressing CD ▶.

### Notes

- Video images will not be shown for audio CDs.
- The play mode automatically switches to normal mode if you start disc digest during Shuffle or Program Play.

## Locating a section within a track

### — Track Digest

You can have the CD player divide a VIDEO CD track into either 9 or 12 different sections and display the first scene of each section on the TV screen. This might be useful when playing discs with few track divisions, such as movies.

This function cannot be used during menu playback of VIDEO CDs with PBC functions (Ver. 2.0).

---

**1** Start playing the VIDEO CD track you want.

---

**2** Press SPECIAL MENU.

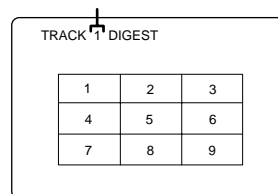
---

**3** Press 4 to select “4) TRACK DIGEST.”

The current track is divided into 9 sections (in default setting) and the first frame of each section is displayed.

The sound of the first three seconds of each track on an audio CD plays, but there is no sound when using a VIDEO CD.

Current track number



---

**4** Press the numeric buttons to select the section you want.

Playback starts from a point near the selected frame.

---

## To stop playback

Press ■.

continued

## Locating a specific part of a disc (continued)

### To switch to a 12 frame display

You can switch the digest display from 9 to 12 frames.

- 1 Press SPECIAL MENU.
- 2 Press 5.
- 3 Proceed with steps 2 and 3 of "Locating a section within a track". The track is divided into 12 sections and the first frame of each section is displayed.

To switch back to the 9 frame display, repeat this operation.

### To switch to the digest of another track during track digest

Press PREV or NEXT during track digest; however, this does not work during Shuffle Play or Program Play.

### To use track digest with VIDEO CDs with PBC functions (Ver. 2.0)

Select "4) TRACK DIGEST" before you start playing the VIDEO CD, to light the PBC OFF indicator and play without PBC functions.

#### Tips

- In step 3, you can select sections even if they have not been displayed yet.  
Use the numeric buttons to select the track you want.
- In step 3, you can play the section you want immediately after the first frame is displayed by pressing CD ►.

#### Note

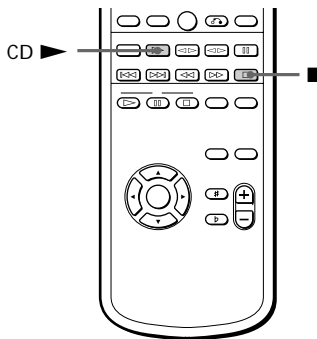
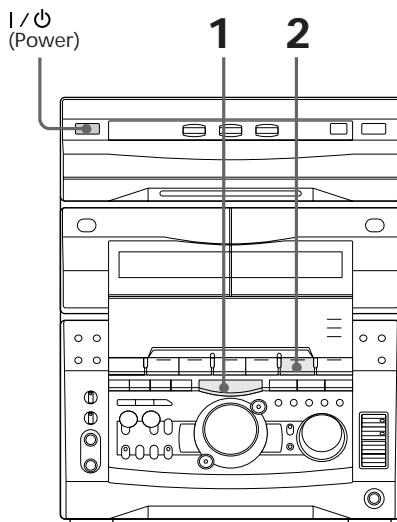
Tracks less than 40 seconds long may be divided into fewer than 12 sections.

## Resuming playback from the point you stopped a VIDEO CD

### -- Resume Play

The unit memorizes the point where you stopped the VIDEO CD so you can resume from that point. Resume play is not cancelled when you turn off the system.

Note that resume play is not available when playing an audio CD.



---

**1** While playing a VIDEO CD, press ■ to stop playback.


“RESUME” appears on your TV screen. If “RESUME” does not appear, Resume Play is not available.

---

**2** Press CD ►|| (or CD ► on the remote).

The player starts playback from the point you stopped the VIDEO CD in step 1.

---

 **To view from the beginning of the VIDEO CD**

When “RESUME” appears in the display, press ■, then press CD ►|| (or CD ►).

**Notes**

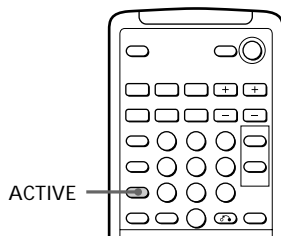
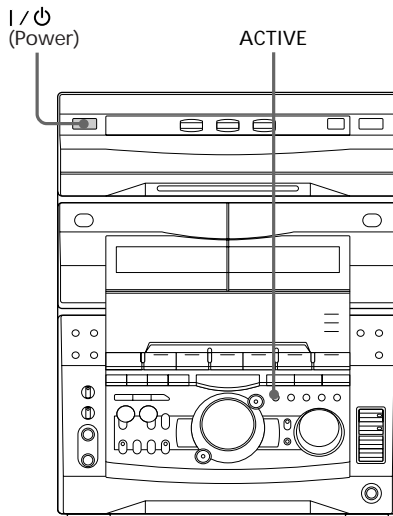
- Resume Play is not available in the Digest, Shuffle, or Program Play modes.
- Depending on where you stopped the VIDEO CD, the player may resume playback from a different point.
- The point at which you stopped playback is cleared when:
  - you press number buttons, PLAY MODE, or ■.
  - you press DISC SKIP/EX-CHANGE (or D.SKIP on the remote).
  - you press SPECIAL MENU.
  - you turn the jog dial.
  - you remove the VIDEO CD.
  - you unplug the unit's AC power cord.

---

## Setting the sharpness

### — Active Picture

This function emphasizes the outline of the picture to create a sharper image.



---

➔ Press ACTIVE so that “ACTIVE PICTURE” appears in the display.

---

**To cancel**

Press ACTIVE again to display “ACTIVE OFF”.

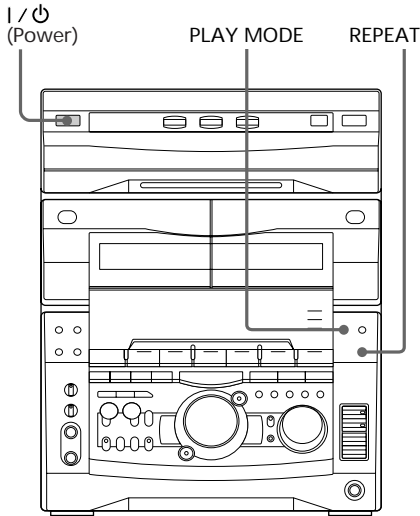
**Notes**

- The active picture function is not available when playing audio CDs.
- “ACTIVE OFF” is selected automatically when you turn the system off.

# Playing the CD tracks repeatedly

## -- Repeat Play

This function lets you repeat a single CD or all CDs in normal play, Shuffle Play and Program Play.



### To cancel Repeat Play

Press REPEAT so that "REPEAT" or "REPEAT 1" disappears from the display.

➔ Press REPEAT during playback until "REPEAT" appears in the display.

Repeat Play starts. Do the following procedure to change the repeat mode.

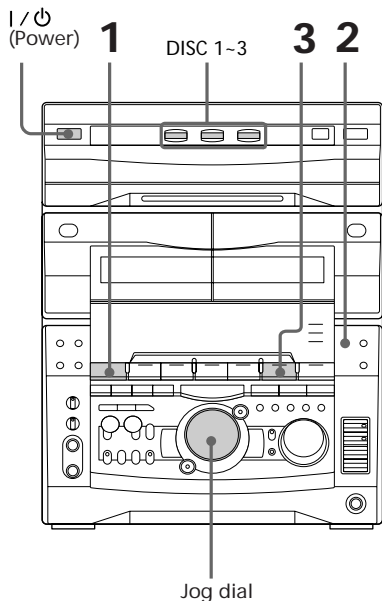
To repeat	Press
All the tracks on the current CD	PLAY MODE repeatedly until "1 DISC" appears in the display.
All the tracks on all CDs	PLAY MODE repeatedly until "ALL DISCS" appears in the display.
Only one track	REPEAT repeatedly until "REPEAT 1" appears in the display while playing the track you want to repeat.

---

# Playing the CD tracks in random order

## — Shuffle Play

You can play all the tracks on one CD or all CDs in random order.



- 
- 1** Press FUNCTION repeatedly until “CD” appears in the display, then place a CD.

---

  - 2** Press PLAY MODE repeatedly until “1 DISC SHUFFLE ” or “ALL DISCS SHUFFLE” appears in the display. “ALL DISCS” shuffles all the CDs in the player. “1 DISC” shuffles the CD whose DISC indicator is green.

---

  - 3** Press CD ►||. “◻” appears and then all the tracks play in random order.
- 

## To cancel Shuffle Play

Press PLAY MODE repeatedly until “SHUFFLE” or “PROGRAM” disappears from the display. The tracks continue playing in their original order.

## To select a desired CD

Press DISC 1~3.

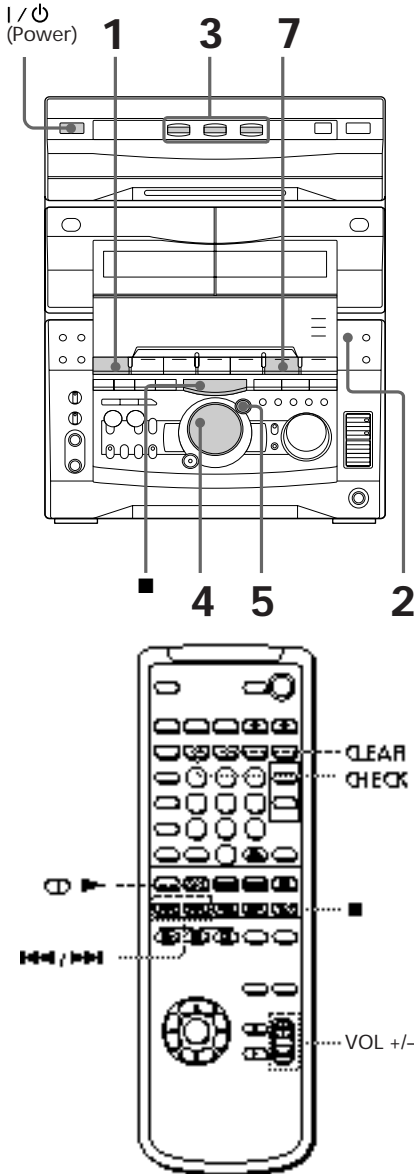
## Tips

- You can start Shuffle Play during normal play by pressing PLAY MODE repeatedly to select “SHUFFLE”.
- To skip a track, turn the jog dial clockwise (or press ► on the remote).

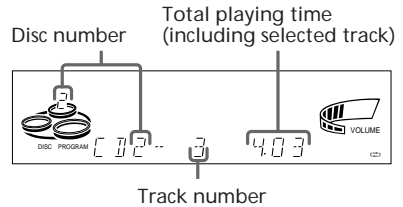
# Programming the CD tracks

## — Program Play

You can make a program of up to 32 tracks from all the CDs in the order you want them to be played.



- 1** Press FUNCTION repeatedly until “CD” appears in the display, then place a CD.
- 2** Press PLAY MODE repeatedly until “PROGRAM” appears in the display.
- 3** Press one of the DISC 1~3 buttons to select a CD.
- 4** Turn the jog dial until the desired track appears in the display.



- 5** Press ENTER/NEXT.  
The track is programmed. The program step number appears, followed by the total playing time.
- 6** To program additional tracks, repeat steps 3 to 5.  
Skip step 3 to select tracks from the same disc.
- 7** Press CD ►||.  
All the tracks play in the order you selected.

## To cancel Program Play

Press PLAY MODE repeatedly until "PROGRAM" or "SHUFFLE" disappears from the display.

To	Press
Check the program	CHECK on the remote repeatedly. After the last track, "CHECK END" appears.
Clear a track from the end	CLEAR on the remote in stop mode.
Clear a specific track	CHECK on the remote repeatedly until the number of the track to be erased lights up, then press CLEAR.
Add a track to the program	1 Select the disc tray with a DISC 1~3 button. 2 Select the track by turning the jog dial. 3 Press ENTER/NEXT.
Clear the entire program	■ once in stop mode or twice while playing.

### Tips

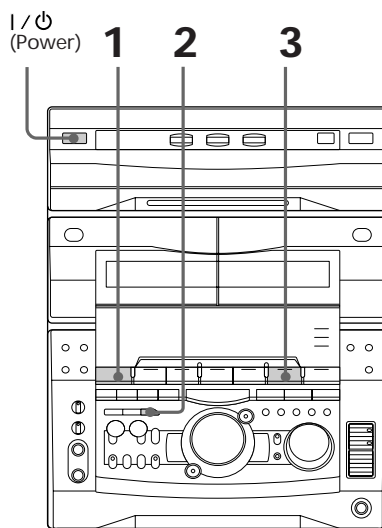
- The program you made remains in the CD player even after it has been played back. Press CD ►|| to play the same program again.
- If "...-" appears instead of the total playing time during programming, this means:
  - you have programmed a track number which exceeds 20.
  - the total playing time has exceeded 100 minutes.

## Playing CDs without interruption

### -- CD Non-Stop Play

You can play CDs without pausing between tracks.

You cannot use this function with VIDEO CDs.



**1** Press FUNCTION repeatedly until "CD" appears in the display, then place a CD.

**2** Press CD NON-STOP to light the indicator. "NON-STOP PLAY" appears in the display.

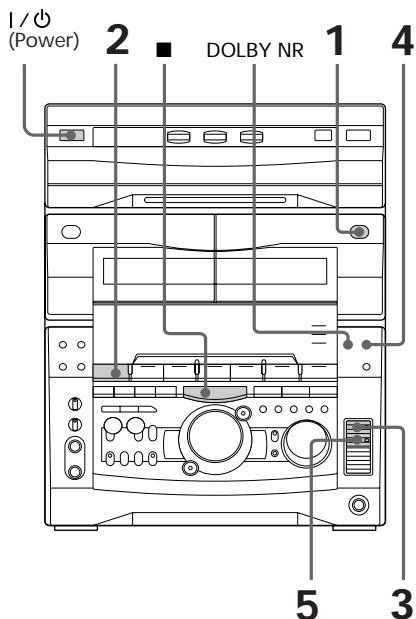
**3** Press CD ►||.

### To cancel Non-Stop Play

Press CD NON-STOP so that the indicator goes out and "NON-STOP OFF" appears in the display.

## Recording on a tape manually

You can record from CD, tape, or radio as you like. For example, you can record just the songs you want or record from the middle of the tape. The recording level is adjusted automatically.



- 1** Insert a blank tape into deck B.
- 2** Press FUNCTION repeatedly until the source you want to record (e.g., CD) appears.
- 3** Press ● REC.  
Deck B stands by for recording. The indicator on TAPE B ► (for front side) lights up.

- 4** Press DIRECTION repeatedly to select ⇄ to record on one side. Select ⇄ (or RELAY) to record on both sides.

- 5** Press ■ PAUSE.  
Recording starts.

- 6** Start playing the source to be recorded.

To	Press
Stop recording	■
Pause recording	■ PAUSE.

### Tips

- If you want to record from the reverse side, press TAPE B ◀ to light its indicator after pressing ● REC.
- When you want to reduce the hiss noise in low-level high-frequency signals, press DOLBY NR so that "DOLBY NR" appears after pressing ● REC.
- When recording from a CD, you can use the jog dial to select tracks during rec pause mode (after pressing ● REC in step 3 and before pressing ■ PAUSE in step 5).

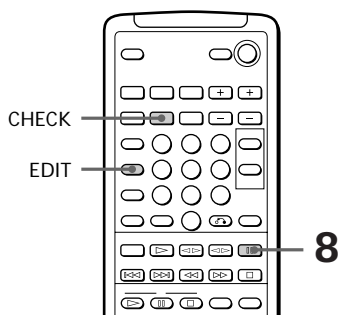
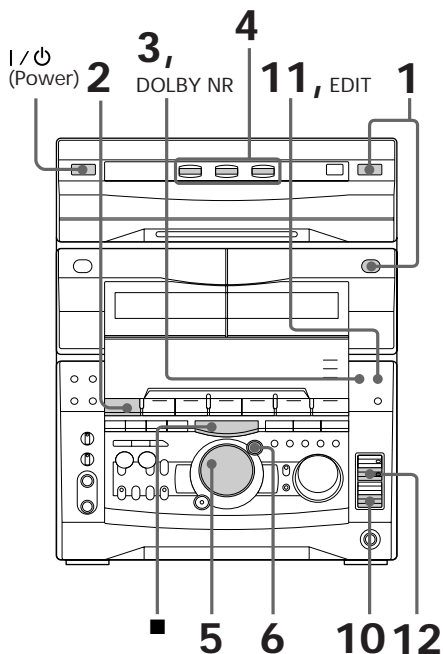


# Recording a CD by specifying track order

## — Program Edit

You can record tracks from all the CDs in the order you want. When programming, make sure the playing times for each side do not exceed the length of one side of the tape.

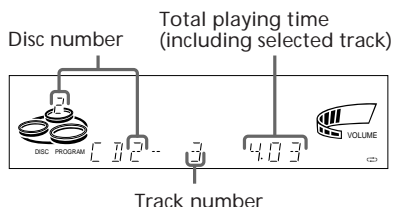
This function cannot be used during menu playback of VIDEO CDs with PBC functions (Ver. 2.0).



- 1 Place a CD and insert a blank tape into deck B.
- 2 Press FUNCTION repeatedly until "CD" appears in the display.
- 3 Press PLAY MODE repeatedly until "PROGRAM" appears in the display.

- 4 Press one of the DISC 1~3 buttons to select a CD.

- 5 Turn the jog dial until the desired track appears in the display.



- 6 Press ENTER/NEXT. The track is programmed. The program step number appears, followed by the total playing time.
- 7 To program additional tracks to be recorded on side A, repeat steps 4 to 6. Skip step 4 to select tracks from the same disc.

- 8 Press **||** on the remote to insert a pause at the end of side A. "P" appears in the display and the total playing time resets to "0.00" in the display.

continued

## Recording a CD by specifying track order (continued)

---

**9** Repeat steps 5 and 6 for tracks from the same disc or steps 4 to 6 for tracks from another disc to program the remaining tracks to be recorded on side B.

---

**10** Press CD SYNC.  
Deck B stands by for recording and the CD player stands by for playback. The indicator on TAPE B ► (for front side) lights up.

---

**11** Press DIRECTION repeatedly to select ⇄ to record on one side. Select ⇄⇄ (or RELAY) to record on both sides.

---

**12** Press **II** PAUSE.  
Recording starts.

---

### To stop recording

Press **■**.

### To check the order

Press CHECK on the remote repeatedly. After the last track, "CHECK END" appears.

### To cancel Program Edit

Press PLAY MODE repeatedly until "PROGRAM" or "SHUFFLE" disappears from the display.

### Tip

When you want to reduce the hiss noise in low-level high-frequency signals, press DOLBY NR so that "DOLBY NR" appears after pressing CD SYNC.

## Selecting tape length automatically

### —Tape Select Edit

You can check the most suitable tape length for recording a CD. Note that you cannot use Tape Select Edit for discs containing over 20 tracks.

---

**1** Insert a CD.

---

**2** Press FUNCTION repeatedly until "CD" appears in the display.

---

**3** Press EDIT once.  
The required tape length for the currently selected CD appears, followed by the total playing time for side A and side B respectively.

---

### Note

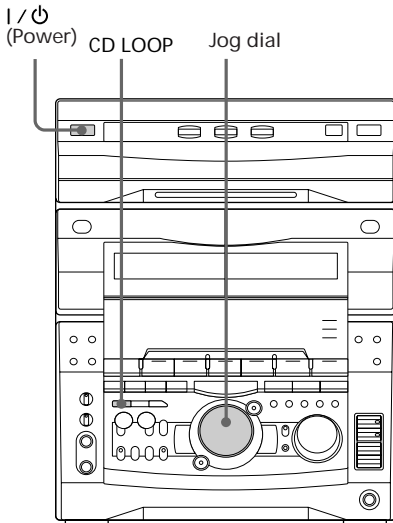
You cannot use this function after programming. In order to use this function, you must first cancel the program by pressing PLAY MODE repeatedly until "PROGRAM" or "SHUFFLE" disappears from the display.

## Looping part of a CD

### — CD Loop

With the loop function, you can repeat part of a CD during playback. This lets you create original recordings.

You cannot use this function with VIDEO CDs.



➔ Press and hold CD LOOP during playback at the point you want to start the Loop function, and release to resume normal play.

### To adjust the loop length

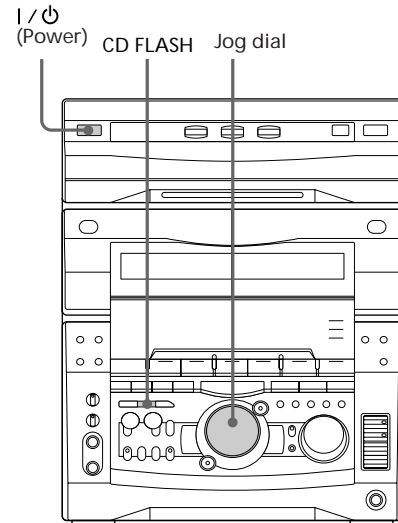
Turn the jog dial while holding CD LOOP (or press SELECT ▲ or ▼ while holding CD LOOP on the remote) to select different loop lengths (LOOP 1~20).

## Flashing part of a CD

### — CD Flash

With the flash function, you can “flash” the CD sound during playback. This lets you create original recordings.

You cannot use this function with VIDEO CDs.



➔ Press and hold CD FLASH during playback at the point you want to start the Flash function, and release to resume normal play.

### To adjust the flash length

Turn the jog dial while holding CD FLASH (or press SELECT ▲ or ▼ while holding CD FLASH on the remote) to select different flash lengths (FLASH 1~20).

### To use LOOP and FLASH together

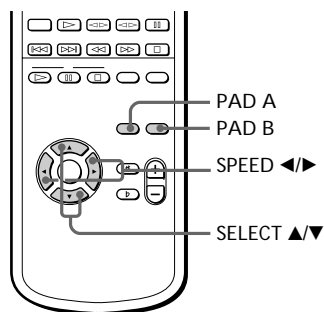
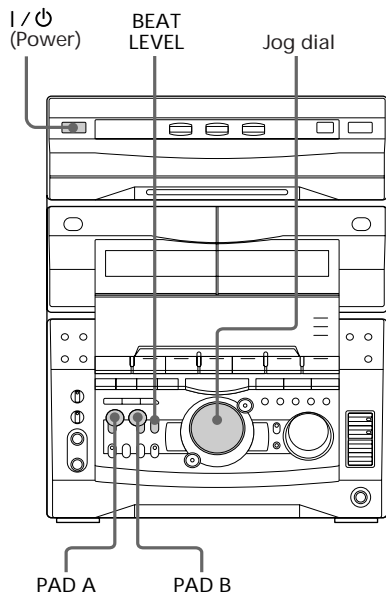
Press and hold both CD LOOP and CD FLASH at the same time.

### Notes

- The loop and flash length cannot be adjusted during this operation. Adjust the loop and flash lengths independently beforehand if necessary.
- To record the flash effect, use the analog (MD OUT) connections or this unit's tape deck.

# Using the drum pads

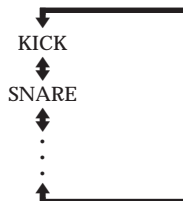
With the drum pads, you can add percussion during playback. This effect can be used with any source, to create original recordings.



➔ Tap drum PAD A or B to produce the respective sound.

## To change the drum sound

Turn the jog dial while holding PAD A or B (or press SELECT ▲ or ▼ while holding PAD A or B on the remote) to select the sound you desire. You can select from a variety of different drum sounds. The name of the drum sound appears in the display.



The sound you select will be stored in pad A or B.

## To create a drum roll

Hold down both PAD A and B on the front panel. "CHAIN" appears in the display and you hear the sound of both pads. Turn the jog dial counterclockwise to hear only PAD A or clockwise for PAD B.

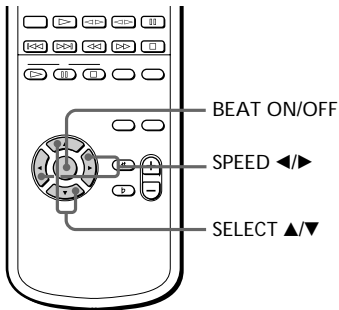
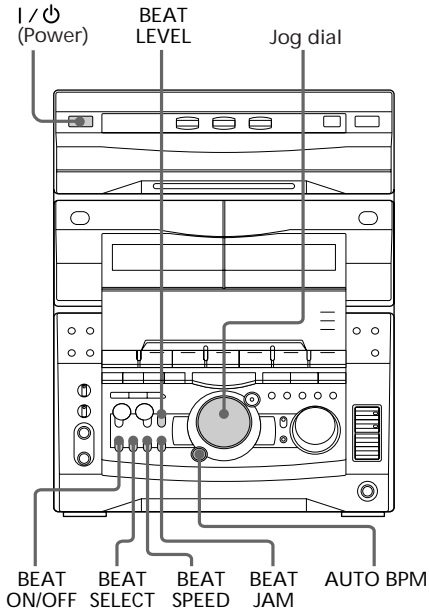
## To adjust the volume of the pads

Press BEAT LEVEL repeatedly to select the level you desire. Each time you press the button the level changes as follows:

LEVEL 1 ➔ LEVEL 2 ➔ LEVEL 3  
➔ LEVEL MAX ➔ LEVEL 1 . . .

# Using the beat functions

With the beat functions, you can enjoy a variety of rhythms. They can be used with any source, to create original recordings.



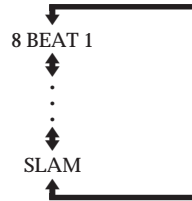
- ➔ Press BEAT ON/OFF during playback at the point you want to start the beat.  
The button's indicator lights up.

## To change the speed

Turn the jog dial while holding BEAT SPEED (or press SPEED ◀ or ▶ on the remote) to select the speed you desire (BPM 60~160).

## To change the beat pattern

Turn the jog dial while holding BEAT SELECT (or press SELECT ▲ or ▼ on the remote) to select the pattern you desire. The name of the beat pattern appears in the display.



## To cancel the beat

Press BEAT ON/OFF. Make sure the button's indicator turns off.

## To change the beat volume

Press BEAT LEVEL repeatedly to select the level you desire. Each time you press the button the level changes as follows:

LEVEL 1 ➔ LEVEL 2 ➔ LEVEL 3  
➔ LEVEL MAX ➔ LEVEL 1 . . .

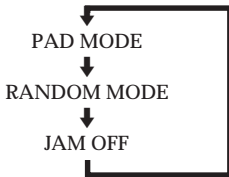
## Tips

- You can use the drum pads and the beat function together.
- Press DEMO while the power is on to hear all drum sounds and beat patterns played repeatedly. Press any key (except BEAT LEVEL) to stop.

## Using the BEAT JAM function

This function automatically synchronizes the sounds of PAD A and B with the sound source.

- 1 Start playing a source.
- 2 Press BEAT JAM repeatedly to select the jam mode you desire.  
The button's indicator lights up. Every time you press the button, the display changes as follows:



### PAD MODE

This mode emphasizes the rhythm of the source by playing the sound stored at PAD A in sync with the bass and playing the sound stored at PAD B in sync with the treble.

### RANDOM MODE

This mode emphasizes the rhythm of the source by playing random sounds (from the drum pad library) in sync with source.

### Note

BEAT JAM cannot be used at the same time as the BEAT (BEAT ON) function. When BEAT JAM is turned ON, BEAT turns OFF automatically. Likewise, when the BEAT is turned ON, BEAT JAM turns OFF automatically.

## Using the AUTO BPM function

This function automatically synchronizes the rhythm of the current beat pattern with the sound source.

- 1 Start playing a source.
- 2 Select a beat pattern.  
(See “To change the beat pattern” on page 45.)
- 3 Press BEAT ON/OFF to stop the beat function.
- 4 Press AUTO BPM.  
The button's indicator blinks orange while measuring the source's BPM. Once measured, the indicator lights green.
- 5 Listen to the sound source and press BEAT ON/OFF at the downbeat.  
The rhythm of the beat pattern starts in sync with the source.

### Tip

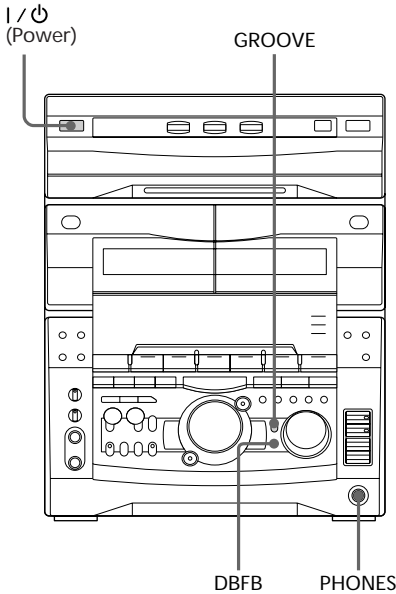
If the downbeat of the rhythm does not match the source, press BEAT ON/OFF to turn the beat off. Then, in time with the source, press BEAT ON/OFF again to restart the beat.

### Notes

- AUTO BPM may not work with certain songs (such as those with varying tempos). In such cases, the AUTO BPM indicator continues blinking orange and “AUTO BPM NG” appears in the display.
- The amount of time required to measure a song's BPM (after pressing AUTO BPM) varies for each song.
- AUTO BPM stops automatically when it encounters a blank of (or greater than) 1.5 seconds. It will, however, resume automatically when the music begins again.
- AUTO BPM stops automatically when you turn the jog dial while holding BEAT SPEED.

## Adjusting the sound

You can reinforce the bass, create a more powerful sound, and listen with headphones.



### Notes

- With some songs, the music will sound distorted when you use the DBFB system with the graphic equalizer if the bass is too strong. Adjust the bass slowly while listening to music so that you can monitor the effect of the adjustment.
- Cancelling GROOVE sets DBFB to “DBFB ▀▄” and flattens the equalizer curve. To cancel the DBFB level, press DBFB until the indication disappears. Adjust the equalization to obtain the effect you desire.

### To listen through the headphones

Connect the headphones to PHONES jack. No sound will come from the speakers.

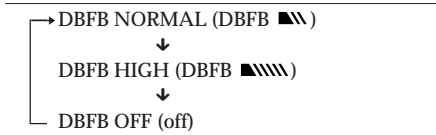
### Note

If you have connected a super woofer, please note that sound comes from the super woofer even when the headphones are connected. Turn off the power of the super woofer when using headphones.

### To reinforce bass (DBFB)

Press DBFB\*.

Every time you press the button, the display changes as follows:



\* DBFB = Dynamic Bass Feedback

### For a powerful sound (GROOVE)

Press GROOVE. The volume switches to power mode, DBFB is automatically set to full strength, the equalizer curve changes, and the “GROOVE” button lights up. Press GROOVE again to return to the previous volume.

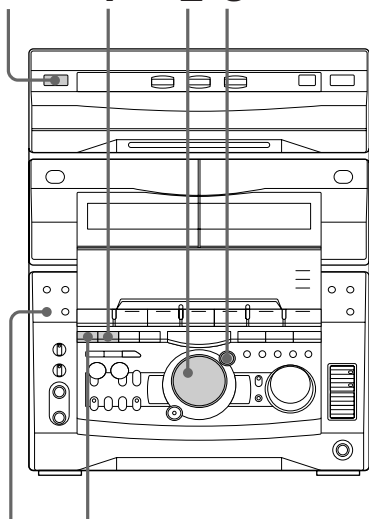
# Selecting the audio emphasis

The audio emphasis menu lets you select the sound characteristic according to the sound you are listening to.

The personal file function (see “Making a personal audio emphasis file”) lets you store your own effects.

1 / ⏻  
(Power)

**1 2 3**



DISPLAY EFFECT

- 1** Press FILE SELECT.  
The last effect chosen appears in the display.
- 2** Use the jog dial to select the preset you desire.  
The preset name appears in the display. See the chart “Music menu options”.
- 3** Press ENTER/NEXT.

## To cancel the effect

Press EFFECT on the front panel (or the remote) repeatedly so that “EFFECT OFF” appears in the display.

## Music menu options

“SUR ■■■■■” appears if you select an effect with surround effects.

Effect	For
ROCK	Standard music sources
POP	
JAZZ	
DANCE	
SOUL	
ACTION	Soundtracks and special listening situations
ROMANCE	
SF	
DRAMA	
SPORTS	
SHOOTING	Video games
RACING	
RPG	
BATTLE	
ADVENTURE	
P FILE 1-5	Personal file

## To change the spectrum analyzer display

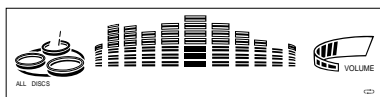
Press DISPLAY repeatedly to select one of the displays below.

Pattern ①



(Changes with music)

Pattern ②



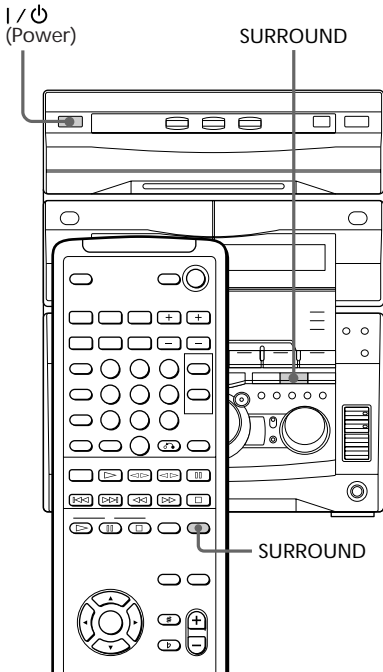
## Note

The spectrum analyzer display changes each time you cycle through the information display (i.e., function → clock → effect).



# Selecting surround effects

You can enjoy surround effects.



➔ Press SURROUND repeatedly to select the surround effect you desire.

Every time you press the button, the display changes as follows:

SURROUND ON (SUR ■■■■■■■■)



SURROUND OFF (off)

## Tip

If you want to memorize the effect, store it into a personal file (see “Making a personal audio emphasis file”).

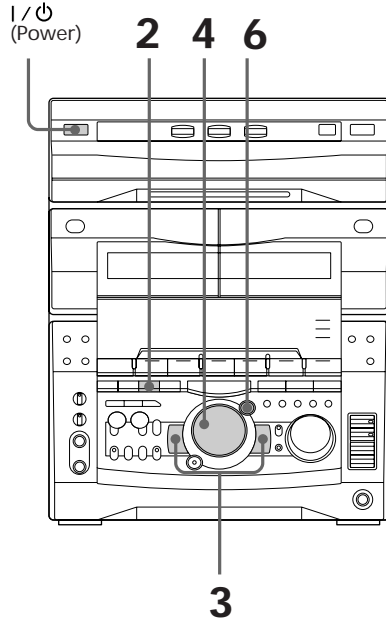
## Note

When you choose other sound effects, the surround effects will be canceled.

# Adjusting the graphic equalizer

You can adjust the sound by raising or lowering the levels of specific frequency ranges.

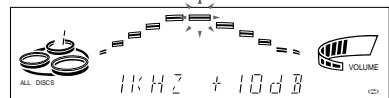
Before operation, first select the audio emphasis you want for your basic sound.



**1** Select the audio emphasis you want for your basic sound (see “Selecting the audio emphasis”).

**2** Press GEQ CONTROL.

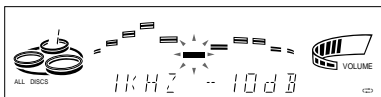
**3** Press + or - repeatedly to select a frequency band.



continued

## Adjusting the graphic equalizer (continued)

- Turn the jog dial to adjust level.



- Repeat steps 3 and 4.
- Press ENTER/NEXT when finished.

### Note

If you choose another menu audio emphasis (other than "EFFECT OFF") the adjusted sound effect is lost. To retain the adjusted sound effect for future use, store it in a personal file. (See "Making a personal audio emphasis file".)

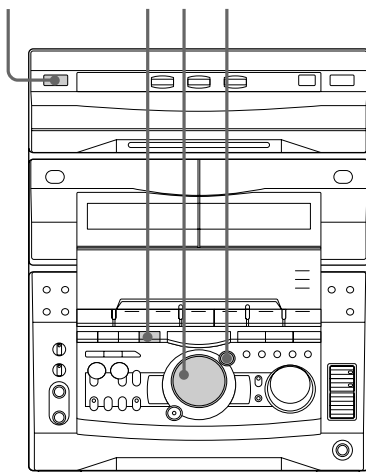
## Making a personal audio emphasis file

### — Personal file

You can create a personal file of audio patterns (surround effect and graphic equalizer) and store them in the memory of the unit. Later call up an audio pattern to play a favorite tape, CD, or radio program. Create up to five audio files.

Before operation, first select the audio emphasis you want for your basic sound.

I / ⏻  
(Power)      **2 3 4**



- Obtain the sound effect you want by using the graphic equalizer and surround effect.

- Press P FILE MEMORY.  
The personal file number appears in the display.



---

**3** Use the jog dial to select the file number (P FILE) where you want to store the sound effect.

---

**4** Press ENTER/NEXT.  
The adjusted sound effects are stored under the selected file number. The settings previously stored at this memory location are erased and replaced by the new settings.

---

### To call up the personal file

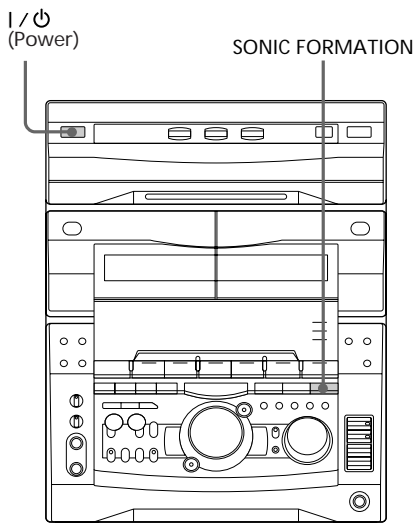
- 1 Press FILE SELECT.
- 2 Use the jog dial to select the personal file you desire.
- 3 Press ENTER/NEXT.

---

## Switching the speaker formation

### -Sonic formation

You can select from four speaker formations depending on your listening situation.



---

➔ Press SONIC FORMATION repeatedly until the mode you want appears in the display.

As you press SONIC FORMATION\*, the mode changes as follows:

NORMAL → WHISPER → LINK



\* The button's indicator lights up when you select NORMAL, WHISPER, or LINK.

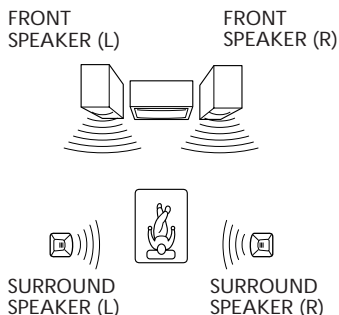
---

continued

## Switching the speaker formation (continued)

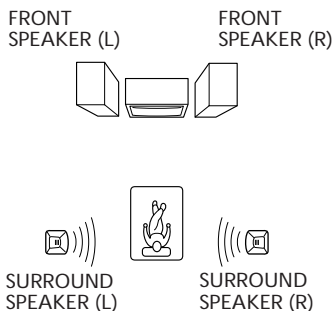
### NORMAL mode

The surround speakers provide reverberation and reflective sound effects that emphasize the sound from the front speakers.



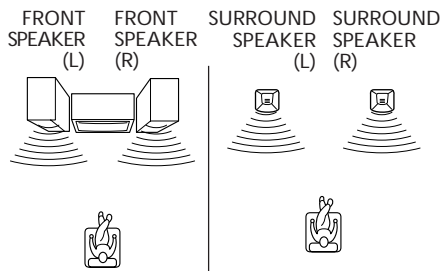
### WHISPER mode

The sound from the front speakers is cut off and output from the surround speaker with its sound decreased. For instance, when you want to listen to the sound in bed, it is suitable to set the surround speakers on either side of the bed.



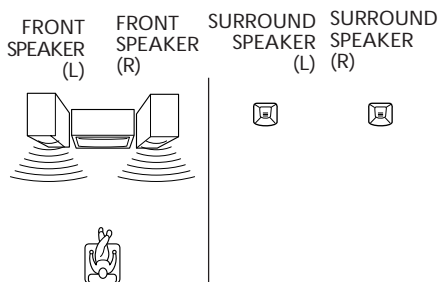
### LINK mode

The same sound is output from the front speakers and surround speakers. For instance, when you want to listen to the same sound in two rooms, it is suitable to set the front speakers and the surround speakers in each room.



### FRONT ONLY (stereo) mode

No sound is output from the surround speakers. Sound comes from the front speakers only.

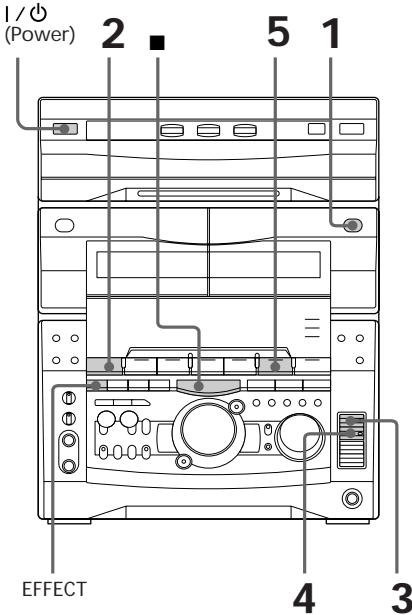


### Note

Do not place the surround speakers on top of a TV. This may cause distortion of the colors in the TV screen.

# Mixing and recording sounds

You can “mix” sounds by playing one of the components and singing or speaking into a microphone (not supplied). The mixed sounds can be recorded on a tape.



**1** Do the above steps 1 to 5. Then, insert a tape in deck B.

**2** Press FUNCTION repeatedly to select the source you desire and set it to pause mode.

**3** Press ● REC.

**4** Press || PAUSE.  
Recording starts.

**5** Press CD ►|| to start playing the CD player (or TAPE A ► for tape deck A).  
Playback starts. Start singing along with the music.

## To stop recording

Press ■.

## Tips

- If acoustic feedback (howling) occurs, move the microphone away from the speakers or change the direction of the microphone.
- If you want to record your voice through the microphone only, you can do so by selecting the CD function and not playing a CD.
- When high level sound signals are input, the unit automatically adjusts the recording level to prevent distortion of the recorded sound signal (Auto Level Control function).

## Notes

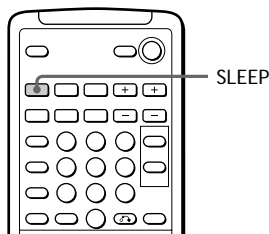
- If you press EFFECT or recall a sound effect, the karaoke mode is cancelled.
- The instrumental sound may be reduced as well as the singer's voice when the sound is recorded in monaural.
- The singer's voice may not be reduced when:
  - only a few instruments are playing.
  - a duet is being played.
  - the source has strong echoes or chorus.
  - the singer's voice deviates from the center.
  - the voice on the source is singing in high soprano or tenor.

---

## Falling asleep to music

### — Sleep Timer

You can let the system turn off at the preset time, so you can sleep to the music. You can preset the time to be turned off by 10 minutes.



---

#### ➔ Press SLEEP.

Every time you press the button, the minute display (the turn-off time) changes as follows:

AUTO → 90MIN → 80MIN → 70MIN  
→ ... → 10MIN → OFF → AUTO ...

---

#### When you choose "AUTO"

The power turns off when the current CD or tape finishes playback (for up to 100 minutes).

#### To check the remaining time

Press SLEEP once.

#### To change the time to turn off

Select the time you want by pressing SLEEP.

#### To cancel the Sleep Timer function

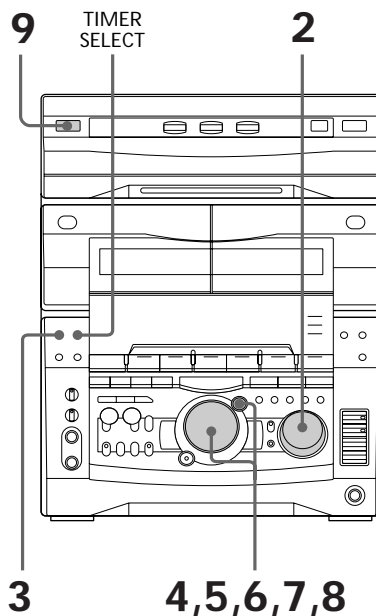
Press SLEEP repeatedly until "OFF" appears.

---

## Waking up to music

### — Wake-up Timer

You can wake up to music at a preset time every day. Make sure you have set the clock (see "Step 2: Setting the time").



---

#### 1 Prepare the music source you want to play.

- CD: Insert a CD. To start from a specific track, make a program (see "Programming the CD tracks").
- Tape: Insert a tape with the side you want to play facing forward.
- Radio: Tune in the preset station you want (see "Step 3: Presetting radio stations").

---

#### 2 Adjust the volume.

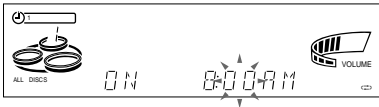
---

#### 3 Press CLOCK/TIMER SET. "SET (DAILY 1)" appears.

- 
- 4** Turn jog dial to select DAILY 1 or 2, then press ENTER/NEXT.  
“ON” appears and the hour digits flash in the display.



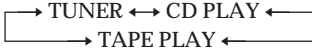
- 
- 5** Set the time to start playback.  
Turn jog dial to set the hour, then press ENTER/NEXT.  
The minute indication starts flashing.



Turn jog dial to set the minute, then press ENTER/NEXT.  
The hour indication flashes again.

- 
- 6** Set the time to stop playback following the above procedure.

- 
- 7** Turn jog dial until the music source you want appears.  
The indications change as follows:



- 
- 8** Press ENTER/NEXT.  
The type of timer (DAILY 1 or DAILY 2), followed by the start time, stop time and the music source, appears, then the original display appears.

- 
- 9** Turn off the power.
- 

### To check the setting

Press TIMER SELECT and turn the jog dial to select the respective mode (DAILY 1 or DAILY 2), then press ENTER/NEXT.

To change the setting, start over from step 1.

### To cancel the timer operation

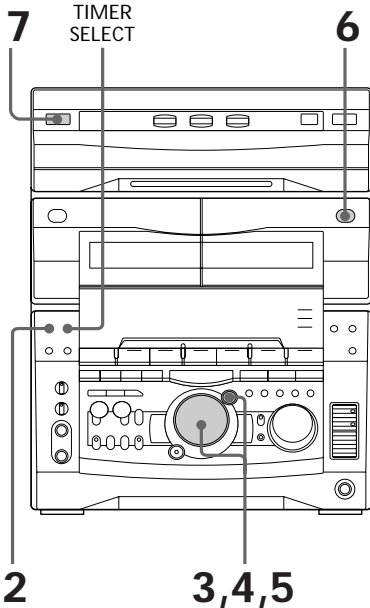
Press TIMER SELECT and turn the jog dial to select “TIMER OFF”, then press ENTER/NEXT.

### Tip

The power turns on 15 seconds before the preset time.

# Timer-recording radio programs

To timer-record, you must preset the radio station (see “Step 3: Presetting radio stations”) and set the clock (see “Step 2: Setting the time”) beforehand.



- 1 Tune in the preset radio station (see “Listening to the radio”).
- 2 Press CLOCK/TIMER SET. “SET (DAILY 1)” appears.
- 3 Turn jog dial to select REC, then press ENTER/NEXT. “ON” appears and the hour digits flash in the display.



- 4 Set the time to start recording. Turn the jog dial to set the hour, then press ENTER/NEXT. The minute indication starts flashing.



- Turn the jog dial to set the minute, then press ENTER/NEXT. The hour indication flashes again.

- 5 Set the time to stop recording following the above procedure. The start time appears, followed by the stop time, the preset radio station to be recorded (e.g., “TUNER FM 5”), then the original display appears.

- 6 Insert a blank tape into deck B.

- 7 Turn off the power. When the recording starts, the volume level is set to the minimum.

## To check the setting

Press TIMER SELECT and turn the jog dial to select “REC”, then press ENTER/NEXT.

To change the setting, start over from step 1.

## To cancel the timer operation

Press TIMER SELECT and turn the jog dial to select “TIMER OFF”, then press ENTER/NEXT.

## Note

If the power is on at the preset time, the recording will not be made.



## Precautions

### On operating voltage

Before operating the system, check that the operating voltage of your system is identical with the voltage of your local power supply.

### On safety

- The unit is not disconnected from the AC power source (mains) as long as it is connected to the wall outlet, even if the unit itself has been turned off.
- Unplug the system from the wall outlet (mains) if it is not to be used for an extended period of time. To disconnect the cord (mains lead), pull it out by the plug. Never pull the cord itself.
- Should any solid object or liquid fall into the component, unplug the stereo system and have the component checked by qualified personnel before operating it any further.
- The AC power cord must be changed only at the qualified service shop.

### On placement

- Place the stereo system in a location with adequate ventilation to prevent heat build-up in the stereo system.
- Do not place the unit in an inclined position.
- Do not place the unit in locations where it is;
  - Extremely hot or cold
  - Dusty or dirty
  - Very humid
  - Vibrating
  - Subject to direct sunlight

### On operation

- If the stereo system is brought directly from a cold to a warm location, or is placed in a very damp room, moisture may condense on the lens inside the CD player. Should this occur, the system will not operate properly. Remove the CD and leave the system turned on for about an hour until the moisture evaporates.
- When you move the system, take out any discs.

If you have any questions or problems concerning your stereo system, please consult your nearest Sony dealer.

## Notes on CDs

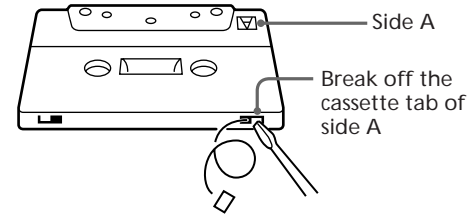
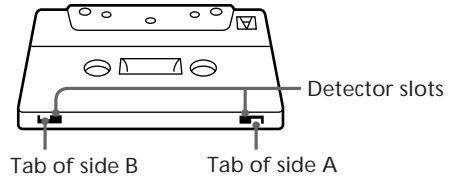
- Before playing, clean the CD with a cleaning cloth. Wipe the CD from the center out.
- Do not use solvents such as benzene, thinner, commercially available cleaners or anti-static spray intended for vinyl LPs.
- Do not expose the CD to direct sunlight or heat sources such as hot air ducts, nor leave it in a car parked in direct sunlight.

## Cleaning the cabinet

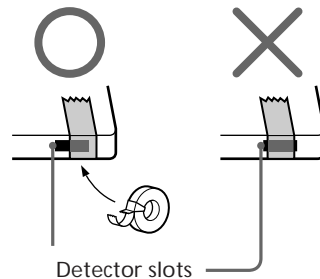
Use a soft cloth slightly moistened with mild detergent solution.

## To save a tape permanently

To prevent a tape from being accidentally recorded over, break off the cassette tab from side A or B as illustrated.



If you later want to reuse the tape for recording, cover the broken tab with adhesive tape. However, be careful not to cover the detector slots which allow the tape player to automatically detect the type of tape.



continued

## Precautions (continued)

### Before placing a cassette in the tape deck

Take up any slack in the tape. Otherwise the tape may get entangled in the parts of the tape deck and become damaged.

### When using a tape longer than 90 minutes

The tape is very elastic. Do not change the tape operations such as play, stop, and fast-winding etc. frequently. The tape may get entangled in the tape deck.

### Cleaning the tape heads

Clean the tape heads after every 10 hours of use. When the tape heads become dirty;

- the sound is distorted
- there is a decrease in sound level
- the sound drops out
- the tape does not erase completely
- the tape does not record

Make sure to clean the tape heads before you start an important recording or after playing an old tape. Use separately sold dry-type or wet-type cleaning cassette. For details, refer to the instructions of the cleaning cassette.

### Demagnetizing the tape heads

Demagnetize the tape heads and the metal parts that have contact with the tape every 20 to 30 hours of use with a separately sold demagnetizing cassette. For details, refer to the instructions of the demagnetizing cassette.

### In case color irregularity is observed on nearby a TV screen.

With the magnetically shielded type of speaker system, the speakers can be installed near a TV set. However, color irregularity may still be observed on the TV screen depending on the type of your TV set.

### If color irregularity is observed...

Turn off the TV set once, then turn it on after 15 to 30 minutes.

### If color irregularity is observed again...

Place the speakers farther away from the TV set.

---

# Troubleshooting

If you run into any problem using this stereo system, use the following check list.

First, check that the power cord is connected firmly and the speakers are connected correctly and firmly.

Should any problem persist, consult your nearest Sony dealer.

## General

---

The display starts flashing as soon as you plug in the power cord even though you haven't turned on the power (demonstration mode).

- Press DEMO when the power is turned off. The demonstration mode appears automatically the first time you plug in the power cord. If there is a power outage lasting longer than half a day, redo the following:
  - Clock setting (see "Step 2: Setting the time")
  - Preset stations (see "Step 3: Presetting radio stations")
  - Timer settings (see "Waking up to music" and "Timer-recording radio programs").

---

There is no sound.

- Rotate VOLUME clockwise.
- The headphones are connected.
- Insert only the stripped portion of the speaker cord into the SPEAKER jack. Inserting the vinyl portion of the speaker cord will obstruct the speaker connections.

---

There is severe hum or noise.

- A TV or VCR is placed too close to the stereo system. Move the stereo system away from the TV or VCR.

---

The sound from the connected source is distorted.

- If "VIDEO" appears in the display when you press FUNCTION, switch the display to "MD".

---

"12:00" flashes in the display.

- A power interruption occurred. Set the clock and timer settings again.

---

The timer does not function.

- Set the clock correctly.

---

DAILY 1, DAILY 2, and REC do not appear when you press the TIMER SELECT button.

- Set the timer correctly.
- Set the clock.

---

The remote does not function.

- There is an obstacle between the remote and the system.
- The remote is not pointing in the direction of the system's sensor.
- The batteries have run down. Replace the batteries.

---

There is acoustic feedback.

- Decrease the volume level.
- Move the microphone away from the speakers or change the direction of the microphone.

---

The color irregularity on a TV screen persists.

- Turn off the TV set once, then turn it on after 15 to 30 minutes. If the color irregularity still persists, place the speakers farther away from the TV set.

---

## Speakers

---

Sound comes from one channel or unbalanced left and right volume.

- Check the speaker connection and speaker placement.

---

There is no sound from the surround speakers.

- Press SONIC FORMATION repeatedly to select a mode other than "FRONT ONLY".

---

There is no sound from the front speakers.

- Press SONIC FORMATION repeatedly to select a mode other than "WHISPER".

---

Sound lacks bass.

- Check that the speaker's + and - jacks are connected correctly.
- 

---

## Video CD/CD Player

---

There is no picture.

- Check that the player is connected securely.
- Make sure you operate the TV correctly.
- Make sure you set the SYSTEM SELECT correctly, according to your TV (color) system.
- Press FUNCTION repeatedly until "CD" is displayed.

---

An after image of the last picture remains on the screen, or the picture is unclear.

- Press ACTIVE repeatedly until "ACTIVE OFF" appears.

---

The CD tray does not close.

- The CD is not placed properly.

---

The CD will not play.

- The CD is not lying flat in the disc tray.
- The CD is dirty.
- The CD is inserted label side down.
- Moisture condensation has built up. Remove the CD and leave the system turned on for about an hour until the moisture evaporates.

---

Play does not start from the first track.

- The player is in program or shuffle mode. Press PLAY MODE repeatedly until "PROGRAM" or "SHUFFLE" disappear.

---

"OVER" is displayed.

- You have reached the end of the CD. Press ◀◀ to return.
- 

continued

## Tape Deck

---

The tape does not record.

- No tape in the cassette holder.
  - The tab has been removed from the cassette (see “To save a tape permanently” on page 57).
  - The tape has reeled to the end.
- 

The tape does not record nor play or there is a decrease in sound level.

- The heads are dirty. Clean them (see “Cleaning the tape heads” on page 58).
  - The record/playback heads are magnetized. Demagnetize them (see “Demagnetizing the tape heads” on page 58).
- 

The tape does not erase completely.

- The record/playback heads are magnetized. Demagnetize them (see “Demagnetizing the tape heads” on page 58).
- 

There is excessive wow or flutter, or the sound drops out.

- The capstans or pinch rollers are dirty. Clean them (see “Cleaning the tape heads” on page 58).
- 

Noise increases or the high frequencies are erased.

- The record/playback heads are magnetized. Demagnetize them (see “Demagnetizing the tape heads” on page 58).
- 

After pressing ► (◀) or ≡, there is a mechanical noise, “EJECT” appears in the display, and the unit enters standby mode automatically.

- The cassette tape was not inserted correctly. Eject the tape and turn the power back on.
- 

## Tuner

---

Severe hum or noise (“TUNED” or “STEREO” flashes in the display).

- Adjust the antenna.
  - The signal strength is too weak. Connect the external antenna.
- 

A stereo FM program cannot be received in stereo.

- Press STEREO/MONO so that “STEREO” appears.
- 

**If other troubles not described above occur, reset the system as follows:**

- 1 Unplug the power cord.
- 2 Plug the power cord back in.
- 3 Press ■, ENTER/NEXT, and | / ⏻ at the same time.
- 4 Press | / ⏻ to turn on the power.

The system is reset to the factory settings. All the settings you made, such as the preset stations, clock, and timer are cleared. You should set them again.

# Specifications

## Amplifier section

The following measured at AC 120, 220, 240 V  
50/60Hz

DIN power output (rated)

105 + 105 watts  
(8 ohms at 1 kHz, DIN)

Continuous RMS power output (reference)

130 + 130 watts  
(8 ohms at 1 kHz, 10%  
THD)

Peak music power output (reference)

2000 watts

## Inputs

VIDEO (AUDIO) IN (phono jacks):

voltage 250 mV,  
impedance 47 kilohms

MD IN (phono jacks):

voltage 450 mV,  
impedance 47 kilohms

MIC 1/2 (phone jack):

sensitivity 1 mV,  
impedance 10 kilohms

## Outputs

MD OUT (phono jacks):

voltage 250 mV  
impedance 1 kilohms

VIDEO OUT (phono jack):

max. output level  
1Vp-p, unbalanced,  
Sync negative, load  
impedance 75 ohms

S-VIDEO OUT (4-pin/mini-DIN jack):

Y: 1Vp-p, unbalanced,  
Sync negative,  
C: 0.286Vp-p,  
load impedance 75 ohms

PHONES (stereo phone jack):

accepts headphones of 8  
ohms or more

SPEAKER:

accepts impedance of 8 to  
16 ohms

SURROUND SPEAKER:

accepts impedance of 16  
ohms

SUPER WOOFER:

Voltage 1 V, impedance 1  
kilohm

## VIDEO CD/CD player section

System

Compact disc and digital  
audio and video system

Laser

Semiconductor laser  
( $\lambda=780\text{nm}$ )

Emission duration:  
continuous

Laser output

Max. 44.6  $\mu\text{W}^*$

\*This output is the value  
measured at a distance of  
200 mm from the  
objective lens surface on  
the Optical Pick-up Block  
with 7 mm aperture.

Wavelength

780 - 790 nm

Frequency response

2 Hz - 20 kHz ( $\pm 0.5$  dB)

Signal-to-noise ratio

More than 90 dB

Dynamic range

More than 90 dB

Video

Color system format

NTSC, PAL

CD OPTICAL DIGITAL OUT

(Square optical connector jack, rear panel)

Wavelength

600 nm

Output Level

-18 dBm

## Tape player section

Recording system

4-track 2-channel stereo

Frequency response

40 - 13,000 Hz ( $\pm 3$  dB),

(DOLBY NR OFF)

using Sony TYPE I  
cassette

40 - 14,000 Hz ( $\pm 3$  dB),

using Sony TYPE II  
cassette

Wow and flutter

$\pm 0.15\%$  W.Peak (IEC)

0.1% W.RMS (NAB)

$\pm 0.2\%$  W.Peak (DIN)

## Tuner section

FM stereo, FM/AM superheterodyne tuner

## FM tuner section

Tuning range

2 band models:

87.5 - 108.0 MHz

3 band (FM-MW-SW) models:

87.5 - 108.0 MHz

Antenna

FM lead antenna

Antenna terminals

75 ohm unbalanced

Intermediate frequency

10.7 MHz

continued

## Specifications (continued)

### AM tuner section

Tuning range	
2 Band type:	531 – 1,602 kHz (with the interval set at 9 kHz) 530 – 1,710 kHz (with the interval set at 10 kHz)
3 Band type:	
MW:	531 – 1,602 kHz (with the interval set at 9 kHz) 530 – 1,710 kHz (with the interval set at 10 kHz)
SW:	5.95 – 17.90 MHz (with the interval set at 5 kHz)
Antenna	AM loop antenna
Antenna terminals	External antenna terminal
Intermediate frequency	450 kHz

### Speaker

#### Front Speaker (SS-V818)

Speaker system	4-way, 5-unit, bass-reflex type, magnetically shielded type
Speaker units	
Woofer:	17 cm, cone type
Centre Tweeter:	5 cm, cone type
Side Tweeter:	5 cm, cone type x2
Super Tweeter:	2 cm, dome type
Nominal impedance	8 ohms
Dimensions (w/h/d)	Approx. 230 x 365 x 320 mm
Mass	Approx. 5.5 kg net per speaker

#### Surround Speaker (SS-SR110)

Speaker system	1-way, 1-unit, bass-reflex type
Speaker units	
Full-range:	8 cm, cone type
Nominal impedance	16 ohms
Dimensions (w/h/d)	Approx. 230 x 85 x 215 mm
Mass	Approx. 1.0 kg net per speaker

## General

### Power requirements

Thai and Chinese models:	220 V AC, 50/60 Hz
Other models:	120 V, 220 V or 230 - 240 V AC, 50/60 Hz Adjustable with voltage selector

Power consumption: 280 watts

Dimensions (w/h/d) Approx. 280 x 365 x 405  
mm

Mass: Approx. 11.9 kg

### Supplied accessories:

AM loop antenna (1)
Remote RM-SV88 (1)
Batteries (2)
FM lead antenna (1)
Speaker cords (4)
Video cable (1)
Front speaker pads (8)

Design and specifications are subject to change  
without notice.

---

# Glossary

## Auto Pause

An automatically pauses according to the signal encoded on the disc while playing a VIDEO CD. If the CD player does not resume play for a long time, press CD ► to resume play manually.

## Menu Playback

Playback using the menu screens recorded on VIDEO CDs with PBC functions. You can enjoy simple interactive software using the menu playback function.

## Playback Control (PBC)

Signals encoded on VIDEO CDs (Version 2.0) to control playback.

By using menu screens recorded on VIDEO CDs with PBC functions, you can enjoy playing simple interactive software, software with search functions, and so on.

When you select a VIDEO CD with PBC functions on this player, the PBC indicator lights up.

## Track

Sections of a picture or a music piece on disc. Each track is assigned a track number to help you locate the track you want.

## VIDEO CD

A compact disc which contains moving pictures.

VIDEO CDs contain compact picture information using the MPEG 1 format, one of the world wide standards of digital compact technology. The picture information is compressed about 120 times. Consequently, a 12 cm VIDEO CD can contain up to 74 minutes of moving pictures.

VIDEO CDs also contain compact audio information. Sounds outside the range of human hearing are compressed while the sounds we can hear are not compressed. VIDEO CDs can hold six times the audio information of conventional audio CDs.

There are two versions for VIDEO CDs:

Version 1.1 (VIDEO CDs without PBC functions):

You can play only moving pictures and sounds.

Version 2.0 (VIDEO CDs with PBC functions):

You can play still pictures and enjoy PBC functions.

This player can play to both versions.

---

# Index

## A

- Active Picture 35
- Adjusting
  - the audio emphasis 48
  - the on-screen display 28~30
  - the operating voltage 6
  - the sound 47
  - the volume 15, 17, 19
- Antennas 5, 12
- Auto BPM 46
- Automatic Source Selection 15, 17, 20

## B

- Batteries 7
- Beat functions 45
- Beat Jam 46

## C

- CD player 26~39, 41
- CD Synchro Recording 18
- Clock setting 8
- Connecting. *See* Hooking up

## D

- Digest
  - disc 32
  - track 33
- Display 27, 28
- Drum pads 44

## E

- Edit 42

## F, G

- Flash 43

## H, I, J

- Hooking up
  - optional components 10
  - the antennas 5, 12
  - the power 6
  - the system 4

## K

- Karaoke
  - adjusting the key 25
  - adjusting the microphone echo 25
  - reducing the vocals (KARAOKE PON) 24
  - singing along with a multiplex CD or tape (MPX R/MPX L) 24

## L

- Lock Search 15, 17
- Loop 43

## M

- Microphone mixing 53

## N

- Normal Play 14, 16

## O

- One Touch Play 15, 17, 20

## P, Q

- Pads. *See* Drum pads
- Personal file 50
- Playing
  - a CD/VIDEO CD 14, 16
  - a preset radio station 19
  - a tape 21
  - tracks in random order (Shuffle Play) 37
  - tracks in the desired order (Program Play) 38
  - tracks repeatedly (Repeat Play) 36
- Presetting radio stations 9

- Preset tuning 19
- Program Play 38
- Protecting recordings 57

## R

- Radio stations
  - presetting 9
  - tuning in 19
- Recording
  - a CD/VIDEO CD 18
  - a radio program 20
  - timer recording 56
- Repeat Play 36
- Resetting the system 60

## S

- Saving recordings 57
- Searching
  - Scene search 31
  - Time search 32
- Selecting
  - the audio emphasis 48
  - the color system 6
- Setting the time 8
- Shuffle Play 37
- Sleep Timer 54
- Sonic formation 51
- Sound adjustment 47
- Speakers 4, 11
- Special menu 30

## T, U

- Timer
  - falling asleep to music 54
  - timer recording 56
  - waking up to music 54
- Troubleshooting 58
- Tuner 9, 19
- Tuning interval 10, 62

## V

- VIDEO CD/CD player 14, 16, 18, 26~39

## W, X, Y, Z

- Wake-up timer 54