

Wall-Mount Bracket

Instructions

SU-PW2

Thank you for purchasing this product.

To Customers

Sufficient expertise is required for installing this product. Be sure to subcontract the installation to Sony dealers or contractors and pay special attention to safety during the installation. Sony is not liable for any damages or injury caused by mishandling or improper installation.

WARNING

If the safety precautions are not observed or the product is used incorrectly, it may result in serious injury or fire.

This instruction manual shows the correct handling of the product and important precautions necessary to prevent accidents. Be sure to read this manual thoroughly and use the product correctly. Keep this manual available for future reference.

For Sony dealers

Sufficient expertise is required for installing this product. Be sure to read this instruction manual thoroughly to do the installation work safely. Sony is not liable for any damages or injury caused by mishandling or improper installation. Please give this manual to the customer after installation.

On Safety

Products by Sony are designed with safety in mind.

If the products are used incorrectly, however, it may result in a serious injury through fire, electric shock, the product toppling over, or the product dropping. Be sure to observe the precautions for safety to prevent such accidents.

CAUTION

This Wall-Mount Bracket is intended for use only with the following products. Use with other apparatus is capable of resulting in instability causing possible injury.

Specified product (As of March 2004)

Flat Panel Colour Television (Display Model)	KE-42MR1 (PDM-4200)	KE-50MR1 (PDM-5000)	KE-61MR1 (PDM-6100)
---	------------------------	------------------------	------------------------

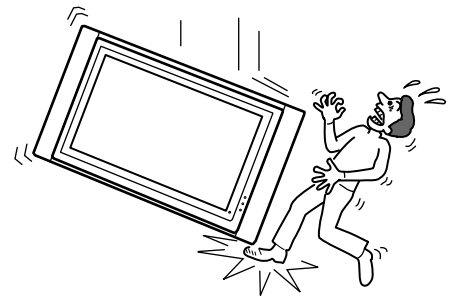
WARNING

If the following precautions are not observed, serious injury or death through fire, electric shock, the product toppling over, or the product dropping can result.

Be sure to subcontract the installation to qualified contractors and keep small children away during the installation.

If the Wall-Mount Bracket or the Display Unit is not installed correctly, the following accidents may occur. Be sure qualified contractors carry out installation.

- The Display Unit may fall and cause a serious injury such as a bruise or a fracture during an earthquake.
- If the wall on which the Wall-Mount Bracket is installed is unstable, uneven, or not perpendicular to the floor, the unit may fall and cause injury or property damage. The wall should be capable of supporting a weight of at least four times the Display Unit weight. (See the Display installing dimensions table on page 10 for the weight of each Display Unit.)
- If the installation of the Wall-Mount Bracket on the wall is not sufficiently sturdy, the unit may fall and cause injury or property damage.



Be sure to subcontract moving or dismantling of the Display Unit to qualified contractors.

If persons other than qualified contractors transport or dismantle the Display Unit, it may fall and cause injury or property damage. Be sure that two or more persons carry or dismantle the Display Unit.

Do not spill liquid of any kind on the Display Unit.

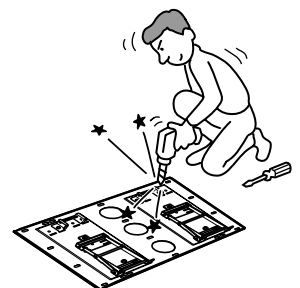
If you allow the Display Unit to get wet, this may result in a fire or an electric shock.

Do not remove screws, etc., after mounting the Display Unit.

If you do so, the Display Unit may fall and cause injury or property damage.

Do not disassemble or make alterations to the parts of the Wall-Mount Bracket.

If you do so, the Wall-Mount Bracket may fall and cause injury or property damage.

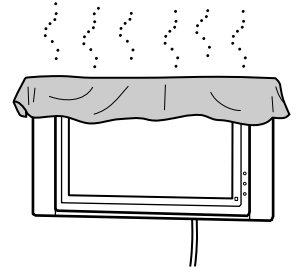


Do not mount any equipment other than the specified product.

This Wall-Mount Bracket is designed for use with the specified product only. If you mount equipment other than specified, it may fall or break, and cause injury or property damage.

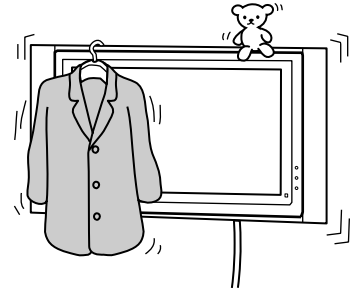
Do not cover the ventilation hole of the Display Unit.

If you cover the ventilation hole (with a cloth, etc.), heat may build up inside and cause fire.



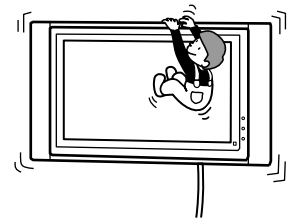
Do not apply any load other than the Display Unit on the Wall-Mount Bracket.

If you do so, the Display Unit may fall and cause injury or property damage.



Do not lean on or hang from the Display Unit.

Do not lean on or hang from the Display Unit as it may fall on you and cause serious injury.



Do not expose the Display Unit to rain or moisture.

It may cause a fire or an electric shock.

Never place the Display Unit in hot, humid or excessively dusty places, or in the place where the unit is subjected to mechanical vibrations.

If you do so, it may cause a fire or an electric shock.

Keep flammable objects or open flames (e.g. candles) away from the Display Unit.

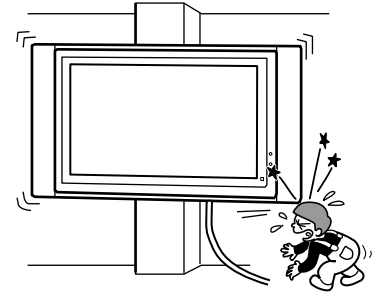
To prevent a fire, keep flammable objects or open flames (e.g. candles) away from the Display Unit.

CAUTION

If the following precautions are not observed, injury or property damage may occur.

Do not install the Wall-Mount Bracket on wall surfaces where the corners or the sides of the Display Unit protrude away from the wall surface.

Do not install the Wall-Mount Bracket on wall surfaces such as a pillar, where the corners or the sides of the Display Unit protrude away from the wall surface. If a person or object happens to hit the protruded corner or side of the Display Unit, it may cause injury or property damage.



Do not handle the product with excessive force during cleaning or maintenance.

Do not apply excessive force on the topside of the Display Unit. If you do so, the Display Unit may fall and cause injury or property damage.

Do not install the Display Unit over or under an air-conditioner.

If the Display Unit is exposed to water leaks or air current from an air-conditioner for a long time, it may cause a fire, an electric shock or a malfunction of the Display Unit.

Precautions

- If you use the Display Unit installed on the Wall-Mount Bracket for a long time, the wall behind or above the Display Unit may become discoloured or the wallpaper may come unstuck, depending on the material of the wall.
- If the Wall-Mount Bracket is removed after installing it on the wall, the screw holes are left.
- If you have routed 300-ohm feeder cables behind the wall, we recommend that you change them to 75-ohm coaxial cables.

If it is necessary to continue to use 300-ohm feeder cables, be sure there is sufficient space available between the Display Unit and the feeder cables behind the wall before installing. Consult your contractor regarding an appropriate location (free from radio noise, etc.) before installing.

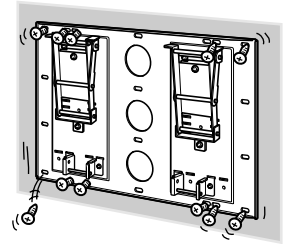
WARNING

To Sony Dealers

The following instructions are for Sony Dealers only. Be sure to read safety precautions described above and pay special attention to safety during the installation, maintenance and checking of this product.

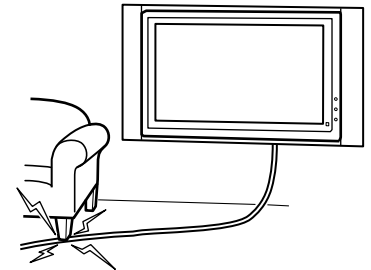
Be sure to install the Wall-Mount Bracket securely to the wall following the instructions in this instruction manual.

If any of the screws are loose or fall out, the Wall-Mount Bracket may fall and cause injury or property damage. Be sure to use the appropriate screws for the material of the wall and install the unit securely, using four or more M8 (or equivalent) screws.



Do not allow the mains lead or the connecting cable to be pinched.

If the mains lead or the connecting cable is pinched between the unit and the wall or is bent or twisted by force, the internal conductors may become exposed and cause a short circuit or an electrical break. This may cause a fire or an electric shock.



Be sure to use the supplied screws and attachment parts properly following the instructions given in this instruction manual. If you use substitute items, the Display Unit may fall, and cause bodily injury to someone or damage to the Display Unit.

Be sure to assemble the bracket properly following the instructed procedure explained in this instruction manual.

If any of the screws are loose or fall out, the Display Unit may fall, and cause bodily injury to someone or damage to the Display Unit.

Be sure to tighten the screws securely in the designated position.

If you fail to do so, the Display Unit may fall, and cause bodily injury to someone or damage to the Display Unit.

Be careful not to subject the Display Unit to shock during installation.

If the Display Unit is exposed to shock, it may fall or break apart. This may cause injury.

Be sure to install the Display Unit on a wall that is both perpendicular and flat.

If you fail to do so, the Display Unit may fall and cause injury.

After proper installation of the Display Unit, secure the cables properly.

If people or objects get tangled in the cables, this may result in injury or damage to the Display Unit.

Be careful not to hurt your hands or fingers during the installation.

Be careful not to hurt your hands or fingers when installing the Wall-Mount Bracket or the Display Unit.

The screws needed to secure the Wall-Mount Bracket to the wall are not supplied.

Use the appropriate screws for the wall material and structure when mounting the Wall-Mount Bracket.

Step 1: Check the parts required for the installation

1 Prepare a Phillips screwdriver and the appropriate screws (four or more M8 (or equivalent) screws, not supplied), depending on the material of the wall, beforehand.

2 Open the package and check the parts.

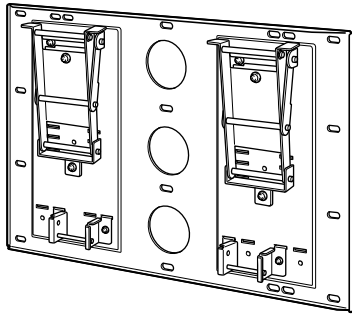
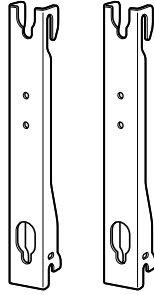


Plate Unit (1)



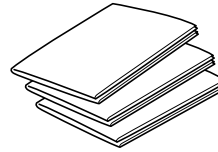
Mounting Hook Unit (2)



Hook (4)



Screw (+B6 × L20) (2)



Paper Template
(1 set of 3 sheets)



Screw (+PSW5 × L16) (6)

Step 2: Decide on the installation location

1 Place the paper template on a perpendicular, flat wall and decide on the installation location.

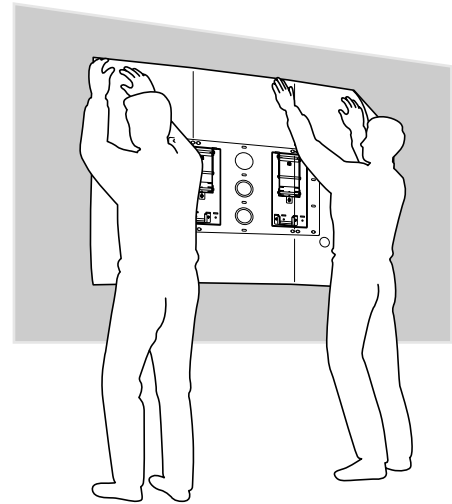
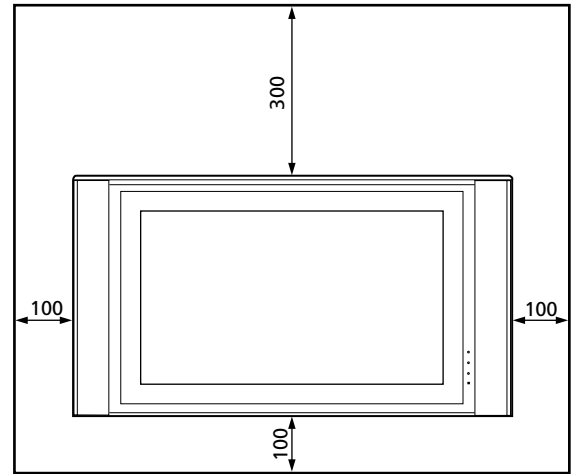
Tape the supplied 3 sheets of the paper template together with commercially available adhesive tape. For details, refer to the instructions printed on the paper template.

Allow for suitable clearance between the Display Unit and the ceiling and protruding parts of the wall as shown in the diagram on the right.

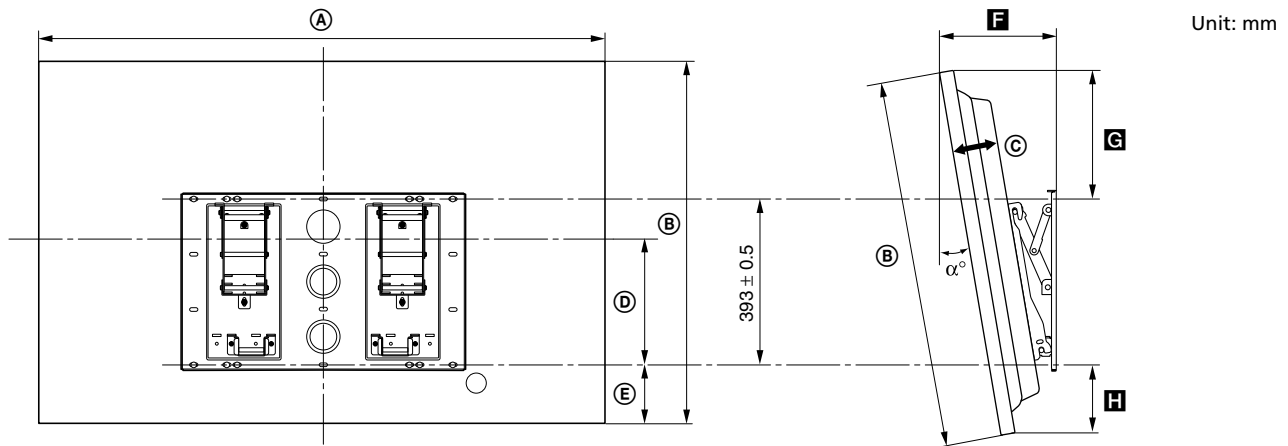
Note

If you intend to route the cables in a wall, make a hole in the wall beforehand to make sure that the cables can be drawn into the wall. The positions for the cable holes are printed on the paper template and on page 11 according to the Display Unit model.

Unit: mm



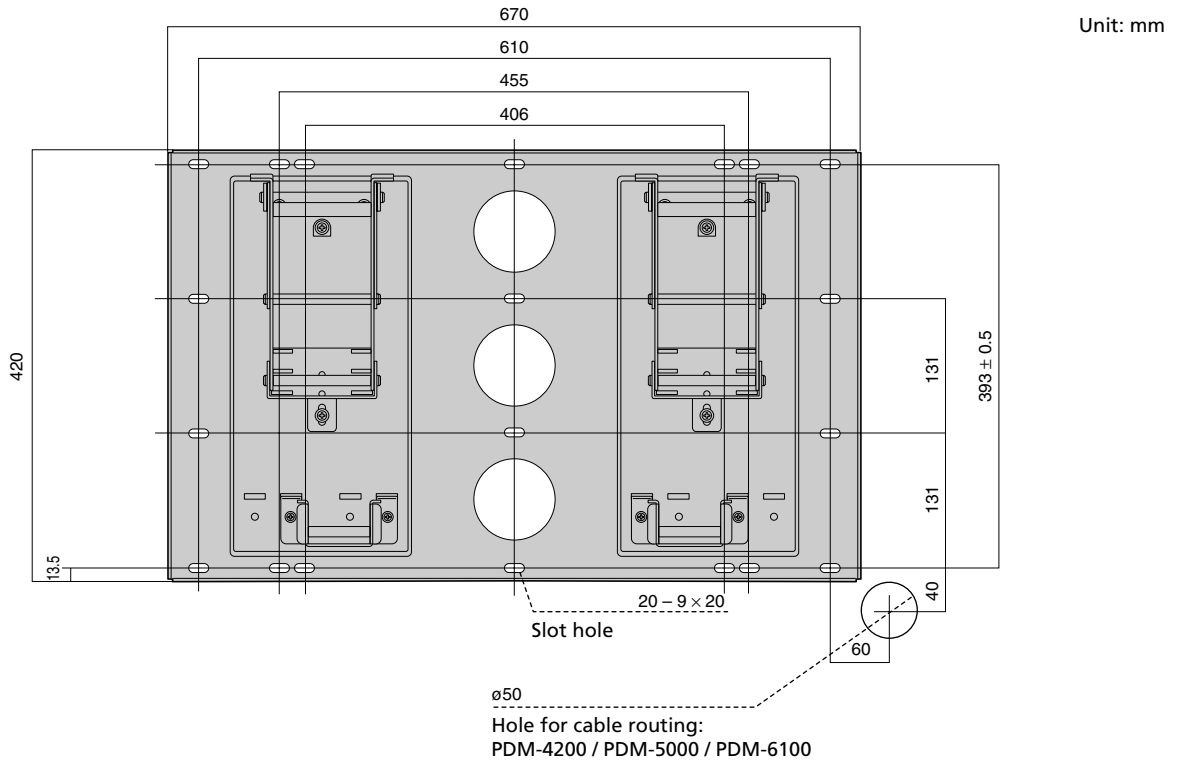
Display installing dimensions table



Display Model	Display Dimensions					Length for each mounting angle				Weight	
	A	B	C	D	E	Mounting	F	G	H	Weight	(× 4)*
PDM-4200	1352	720	102	224	138	0°	157	198	138	39 kg	156 kg
						5°	204	179	147		
						10°	250	164	155		
						15°	294	146	162		
						20°	336	124	168		
PDM-5000	1573	856	108	292	139	0°	163	324	139	53 kg	212 kg
						5°	222	312	149		
						10°	279	296	157		
						15°	334	274	165		
						20°	387	249	171		
PDM-6100	1797	937	110	335	137	0°	165	407	137	71 kg	284 kg
						5°	230	395	147		
						10°	295	378	156		
						15°	358	355	164		
						20°	418	327	171		

* The wall that the Display Unit will be installed on should be capable of supporting a weight of at least four times that of the Display Unit.

Wall processing dimensions diagram



Referring to the paper template and the diagram above, determine the positions of the screws and the cable hole (if you intend to route the cables in the wall), and work on the wall.

WARNING

The wall that the Display Unit will be installed on should be capable of supporting a weight of at least four times that of the Display Unit (page 10). Make sure of the strength of the wall the Display Unit will be installed on. Reinforce the wall sufficiently, if necessary.

Note

The position of the cable hole varies depending on the Display Unit model. Determine the position of the cable hole using the paper template or the diagram above and bore a hole in an appropriate position.

Step 3: Install the Plate Unit on the wall

1 Fix the Plate Unit to the wall using four or more M8 (or equivalent) screws (not supplied).

Select at least four screw holes with the same mark shown in the diagram on the right, and tighten the screws securely so that they will not come loose.

WARNING

- The screws securing the Wall-Mount Bracket to the wall are not supplied.
- Be sure to use the appropriate screws, depending on the material and structure of the wall.
- If the Plate Unit cannot be attached securely enough, use additional screws.
- Be sure to confirm that the Plate Unit is securely fixed to the wall.

Align the unit so that it is exactly level.

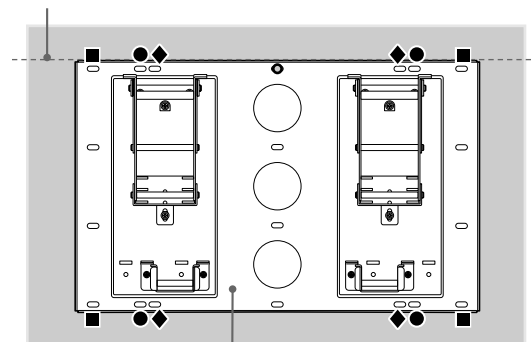


Plate Unit

2 Adjust the angle of the arms.

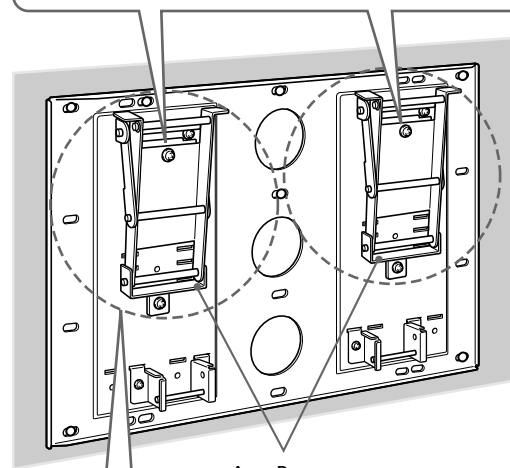
When installing the Display Unit perpendicularly (0 degrees), adjustment of the arms angle (Procedure 1 and 2 below) is not necessary. Make sure that each arm base is screwed in securely.

- 1 Remove the screws that are at the top and bottom centre of the both arm bases. Then choose the notch corresponding to the desired angle (5, 10, 15 or 20 degrees) and fit the arm base to it.
- 2 Firmly secure each arm base using the screws removed in Procedure 1.

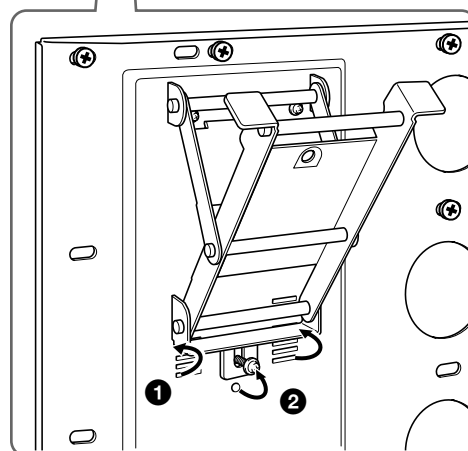
Notes

- Be sure to adjust the angles of the right and left arms to the same angle.
- Be careful not to pinch your fingers when adjusting the angle of arms.
- When using an electric screwdriver, set the torque setting to approximately 2 N·m.
- Make sure that two Mounting Hook Unit support shaft on the lower part of the Plate Unit are screwed in securely.

- 0 degrees: Leave the white screws tightened as they are.
- Other than 0 degrees: Remove the white screws.



Arm Base



Prepare for the installation of the Display Unit

Preparation varies depending on the Display Unit to be installed. See the procedure for each model and prepare for the installation.

Note

When using an electric screwdriver, set the torque setting to approximately 2 N·m.

PDM-4200

No preparations. Go to the next step.

PDM-5000

PDM-6100

- 1 Place the Display Unit, with its screen facing down, on a stable, cloth-covered work surface.

Notes

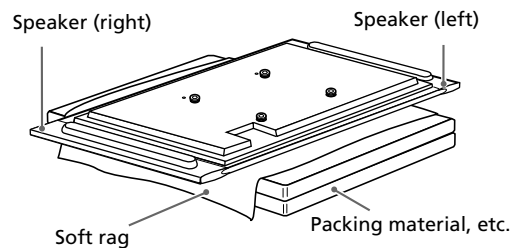
- If the weight of the Display Unit is placed on the speakers, deformation or a loose connection of the speakers may result. To avoid this, observe the following.
 - Do not hold the speakers when carrying the Display Unit.
 - Place packing material, etc. on the floor and lay the Display Unit face down on it so that the speakers on either side of the Display Unit are clear of the packing material, etc.
- Be sure to place the Display Unit stably.
- Use soft cloth to protect the screen of the Display Unit from damage or dirt.

- 2 Remove the two screws and the two hooks at the bottom of the Display Unit rear.

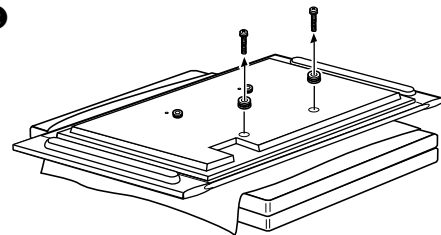
- 3 Attach the two hooks with the two screws (+PSW5 × L16) (both supplied with the Wall Mount Bracket).

If you intend to use the Display Unit without the speakers, detach the speakers at this stage. For details on detaching the speakers, refer to the instruction manual of the TV.

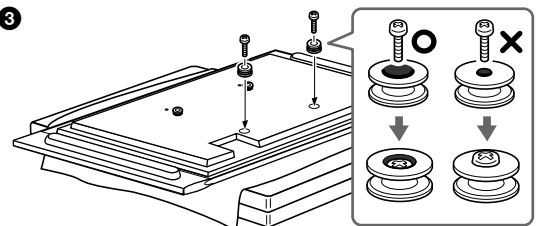
1



2



3

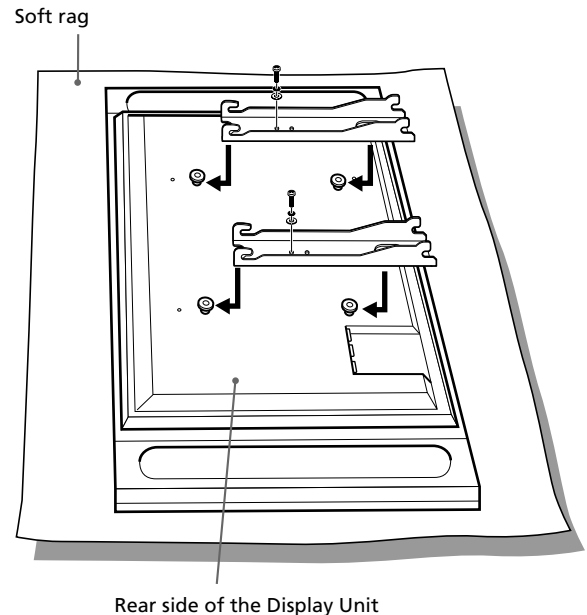


Step 4: Install the Display Unit

WARNING

Be sure to complete the installation before connecting the mains lead to the wall socket. If you allow the mains lead to be pinched under or between pieces of equipment, this may result in a short circuit or an electric shock. Be careful not to stumble over the mains lead or the Display Unit, as you may hurt yourself.

- 1 Hitch the Mounting Hook Unit on the hooks on the rear side of the Display Unit. Then slide the Mounting Hook Unit and fix it using the supplied screws (+PSW5 × L16).**



(The model of the Display Unit in the illustration is PDM-4200.)

- 2 Connect the mains lead and the connecting cable(s) supplied with the Display Unit to the Display Unit.**

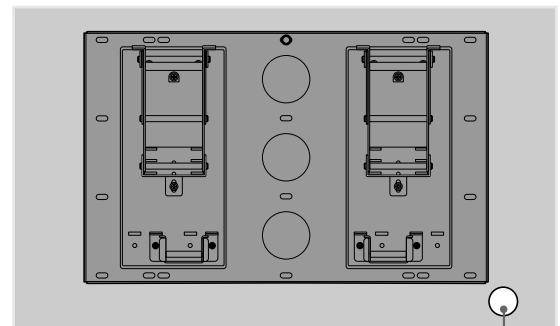
Connect the mains lead and the connecting cable(s) to the connectors on the rear side of the Display Unit. For details on connecting the mains lead and the connecting cable(s), refer to the instruction manual of the Display Unit.

When you route the cable and the lead in the wall, feed them through the hole you bored (page 10).

The position of the hole that should be bored varies depending on the model of the Display Unit.

Notes

- Once you install the Display Unit to the Plate Unit, you cannot connect the lead and the cables.
- Be sure to subcontract the routing of the cable in the wall and electrical work to qualified contractors.



PDM-4200
PDM-5000
PDM-6100

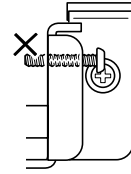
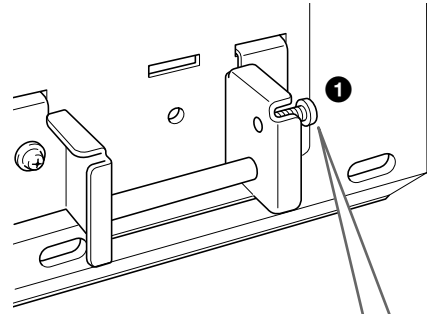
3

Install the Display Unit on the Plate Unit.

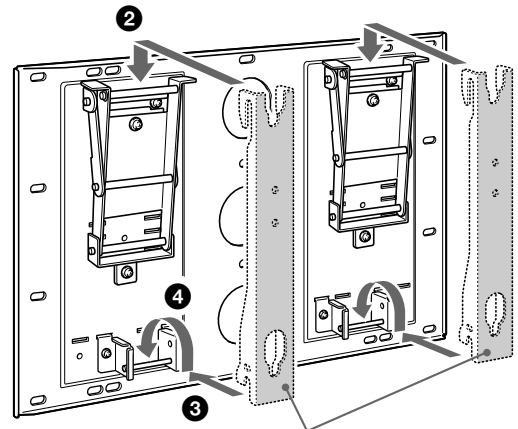
- 1 Insert the screws (+B6 × L20, supplied) for securing the Mounting Hook Unit into the screw holes on the outer left and right sides of the Mounting Hook Unit support shafts, and then tighten them temporarily.
- 2 Hitch the upper hooks of the two Mounting Hook Units on to the support shafts of the arms.
- 3 Place the lower hooks of the two Mounting Hook Units so that they touch the front side of the Mounting Hook Unit support shafts.
- 4 Slightly push the Display Unit toward the Plate Unit and upward, to hitch the lower hooks of the two Mounting Hook Units on to the Mounting Hook Unit support shafts.
- 5 Confirm the eight hooks are firmly hooked on the four shafts on the Plate Unit.
- 6 Firmly tighten the securing screws screwed in temporarily in Procedure 1.

Note

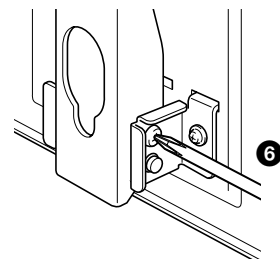
If the temporarily attached screws for securing the Mounting Hook Unit protrude inside the Mounting Hook Unit support shafts, the lower hooks of the Mounting Hook Units cannot be fitted in.



Tighten the screws to halfway so that they do not protrude from the opposite side.



Mounting Hook Unit



Confirm the completion of the installation

Check the following points.

- Eight hooks of the Mounting Hook Units are firmly hooked on the four shafts on the Plate Unit.
- The lead and the cable are not twisted or pinched.
- The two securing screws on the Mounting Hook Unit support shafts are securely tightened.

WARNING

Incomplete installation may cause the product falling and result in injury or product damage. Also, improper placement of the mains lead, etc., may cause fire or electric shock through a short circuit.

Be sure to confirm the completion of the installation for safety.

Remove the Display Unit

For Sony Dealers

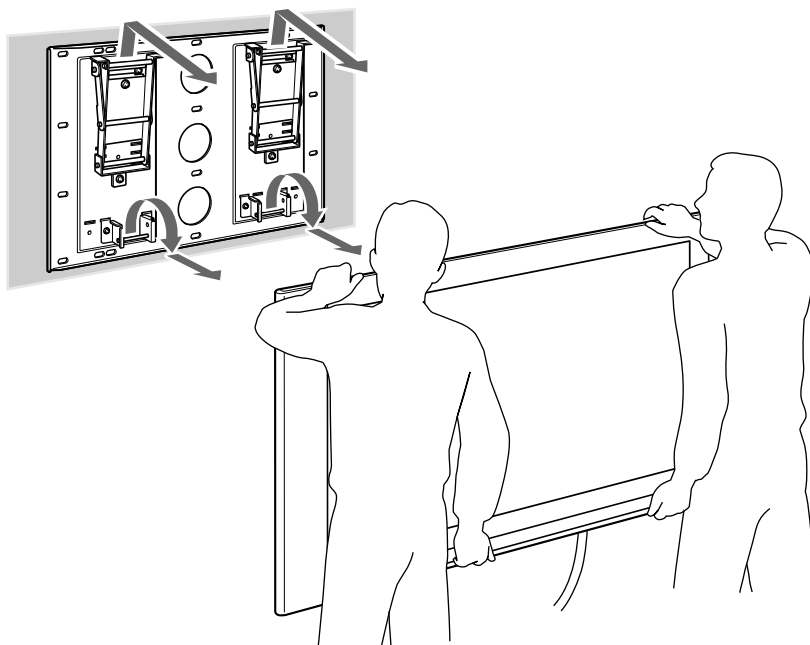
1 Unplug the mains lead from the wall socket.

2 Remove the two securing screws on the right and left Mounting Hook Unit support shafts.

3 Be sure that two or more persons hold the Display Unit and slide it upward to remove the Display Unit.

WARNING

- Be sure that two or more persons hold the Display Unit when carrying it.
- Be careful not to allow the leads and cables to get hung up when removing the Display Unit.
- Be careful not to hurt your hands or fingers when removing the Display Unit.

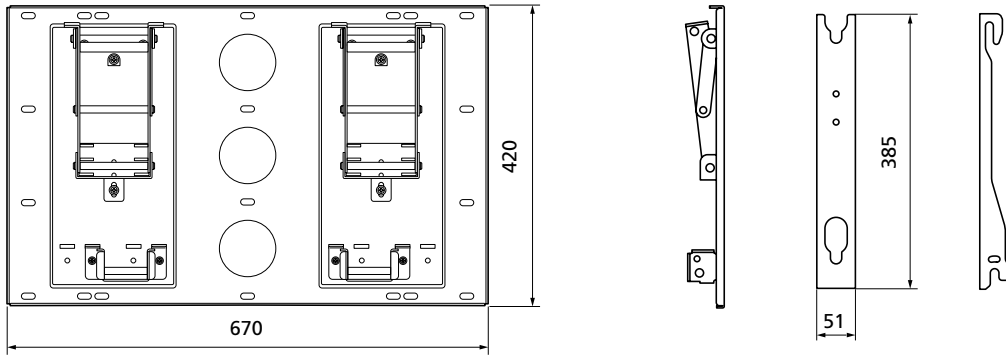


Specifications

Unit: mm

Weight: 9.0 kg

Design and specifications are subject to change without notice.



<http://www.sony.net/>



Printed on 100% recycled paper using VOC
(Volatile Organic Compound)-free vegetable oil
based ink.

Printed in Japan