

Mini Hi-Fi Component System

Operating Instructions

Owner's Record

The model and serial numbers are located on the rear panel. Record the serial number in the space provided below. Refer to them whenever you call upon your Sony dealer regarding this product.

Model No. _____ Serial No. _____



MHC-BX6AV/DX6AV

WARNING

To prevent fire or shock hazard, do not expose the unit to rain or moisture.

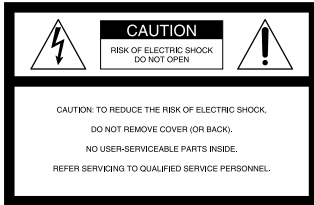
To avoid electrical shock, do not open the cabinet. Refer servicing to qualified personnel only.

Do not install the appliance in a confined space, such as a bookcase or built-in cabinet.



This appliance is classified as a CLASS 1 LASER product. The CLASS 1 LASER PRODUCT MARKING is located on the rear exterior.

NOTICE FOR THE CUSTOMERS IN THE U.S.A.



This symbol is intended to alert the user to the presence of uninsulated "dangerous voltage" within the product's enclosure that may be of sufficient magnitude to constitute a risk of electric shock to persons.



This symbol is intended to alert the user to the presence of important operating and maintenance (servicing) instructions in the literature accompanying the appliance.

CAUTION

The use of optical instruments with this product will increase eye hazard.

INFORMATION

This equipment has been tested and found to comply with the limits for a Class B digital device, pursuant to Part 15 of the FCC Rules. These limits are designed to provide reasonable protection against harmful interference in a residential installation. This equipment generates, uses, and can radiate radio frequency energy and, if not installed and used in accordance with the instructions, may cause harmful interference to radio communications. However, there is no guarantee that interference will not occur in a particular installation. If this equipment does cause harmful interference to radio or television reception, which can be determined by turning the equipment off and on, the user is encouraged to try to correct the interference by one or more of the following measures:

- Reorient or relocate the receiving antenna.
- Increase the separation between the equipment and receiver.
- Connect the equipment into an outlet on a circuit different from that to which the receiver is connected.
- Consult the dealer or an experienced radio/TV technician for help.

CAUTION

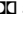
You are cautioned that any changes or modifications not expressly approved in this manual could void your authority to operate this equipment.

NOTICE FOR THE CUSTOMERS IN CANADA

CAUTION:

TO PREVENT ELECTRIC SHOCK, DO NOT USE THIS POLARIZED AC PLUG WITH AN EXTENSION CORD, RECEPTACLE OR OTHER OUTLET UNLESS THE BLADES CAN BE FULLY INSERTED TO PREVENT BLADE EXPOSURE.

This stereo system is equipped with the Dolby Pro Logic Surround decoder*.

* Manufactured under license from Dolby Laboratories Licensing Corporation. Additionally licensed under Canadian patent 1,037,877. "Dolby", the double-D symbol  and "PRO LOGIC" are trademarks of Dolby Laboratories Licensing Corporation.

ENERGY STAR® is a U.S. registered mark. As ENERGY STAR® Partner, Sony Corporation has determined that this product meets the ENERGY STAR® guidelines for energy efficiency.



A946

Table of Contents

Getting Started

Step 1: Hooking up the system	4
Step 2: Setting up your speakers	7
Step 3: Setting the time	9
Step 4: Presetting radio stations	10
Saving the power in standby mode ...	12

Basic Operations

Playing a CD	13
Recording a CD	15
Listening to the radio	16
Recording from the radio	17
Playing a tape	18
Recording from a tape	20

The CD Player

Using the CD display	21
Playing the CD tracks repeatedly	22
Playing the CD tracks in random order	23
Programming the CD tracks	24

The Tape Deck

Recording on a tape manually	26
Recording a CD by specifying track order	27

Sound Adjustment

Adjusting the sound	29
Selecting the audio emphasis	29
Changing the spectrum analyzer display	30
Selecting surround effects	30
Enjoying Dolby Pro Logic Surround sound	31

Other Features

Using the Radio Data System (RDS)*	32
Falling asleep to music	34
Waking up to music	35
Timer-recording radio programs	36

Optional components

Connecting audio components	37
Connecting a VCR	39
Connecting a DVD player	39
Connecting external antennas	40

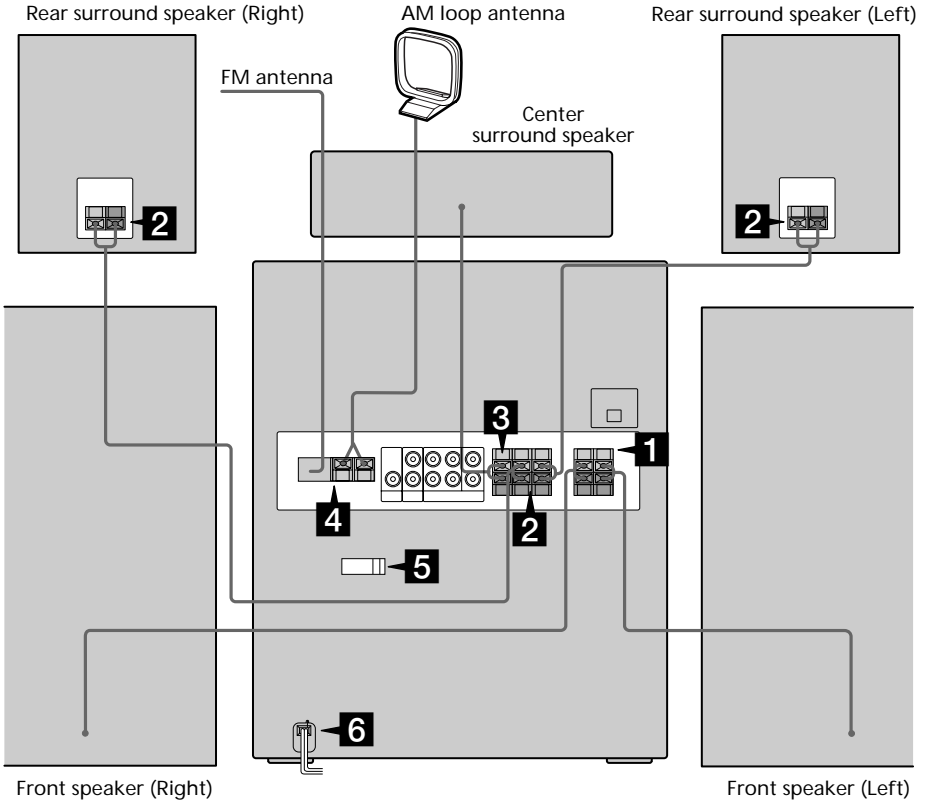
Additional Information

Precautions	42
Troubleshooting	43
Specifications	46
Index	Back cover

* European model only.

Step 1: Hooking up the system

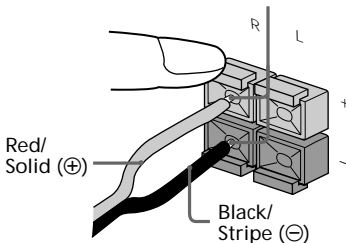
Follow steps **1** through **6** of the following procedure to hook up your system using the supplied cords and accessories.



1 Connect the front speakers.

Connect the speaker cords to the **FRONT SPEAKER** jacks as below.

Insert only the stripped portion.

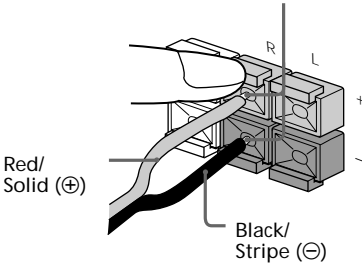


Notes

- Keep the speaker cords away from the antennas to prevent noise.
- The type of speakers supplied vary according to the model you purchased (see "Specifications" on page 46).

- 2** Connect the rear surround speakers. Connect the speaker cords to the REAR SPEAKER jacks.

Insert only the stripped portion.



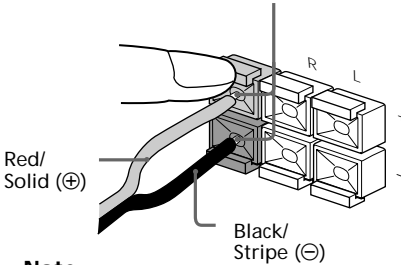
Notes

- Keep the speaker cords away from the antennas to prevent noise.
- Do not place the rear surround speakers on top of a TV. This may cause color distortion in the TV screen.
- Be sure to connect both left and right rear surround speakers. Otherwise, the sound will not be heard.

- 3** Connect the center surround speaker.

Connect the speaker cords to the CENTER SPEAKER jacks.

Insert only the stripped portion.

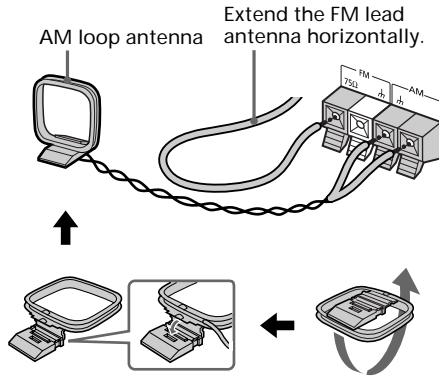


Note

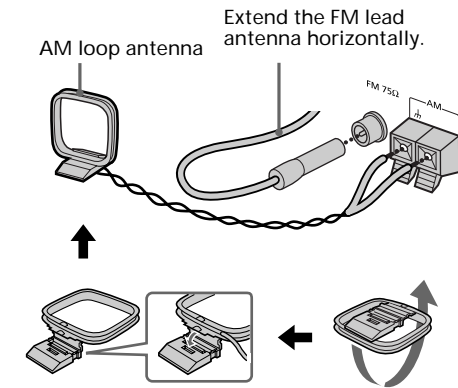
Keep the speaker cords away from the antennas to prevent noise.

- 4** Connect the FM/AM antennas. Set up the AM loop antenna, then connect it.

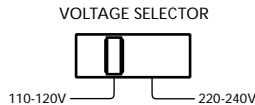
Jack type ①



Jack type ②



- 5** For models with a voltage selector, set VOLTAGE SELECTOR to position of your local power line voltage.



continued

Step 1: Hooking up the system (continued)

6 Connect the power cord to a wall outlet.

The demonstration appears in the display. When you press I/⏻, the system turns on and the demonstration automatically ends.

If the supplied adapter on the plug does not fit your wall outlet, detach it from the plug (only for models equipped with an adapter).

To connect optional components

See page 37.

To deactivate the demonstration

When you set the time ("Step 3: Setting the time" on page 9), the demonstration is deactivated.

To activate/deactivate the demonstration again, press DISPLAY once (MHC-DX6AV) or twice (MHC-BX6AV) while the system is off.

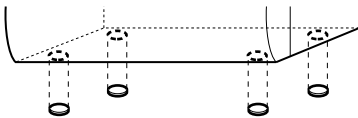
Tip

You can reinforce the bass sound by connecting an optional super woofer to the super woofer connector.

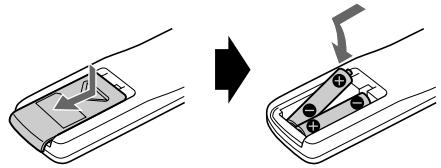
To attach the speaker pads

Attach the supplied speaker pads to the bottom of the speakers to stabilize the speakers and prevent them from slipping.

Center surround speaker



Inserting two size AAA (R03) batteries into the remote



Tip

With normal use, the batteries should last for about six months. When the remote no longer operates the system, replace both batteries with new ones.

Note

If you do not use the remote for a long period of time, remove the batteries to avoid possible damage from battery leakage.

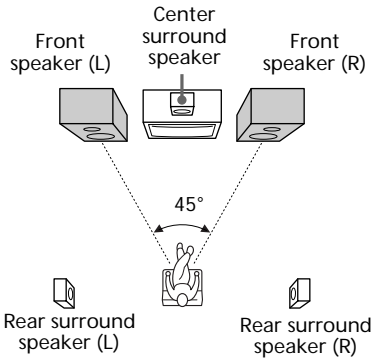
Step 2: Setting up your speakers

Connecting the supplied rear and center surround speakers enables you to fully enjoy Dolby Pro Logic Surround sound. Dolby Pro Logic Surround is a decoding system standardized in TV programs and movies. Dolby Pro Logic Surround improves the sound image by using four separate channels. These channels manipulate the sound to be heard and enhance the action as it happens on the screen.

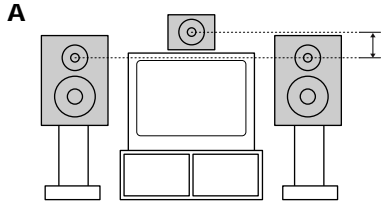
Positioning the speakers

Before you connect the speakers, determine the best location for them.

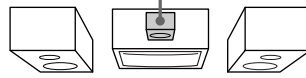
- 1 Place the front speakers at an angle of 45 degrees from your listening position.



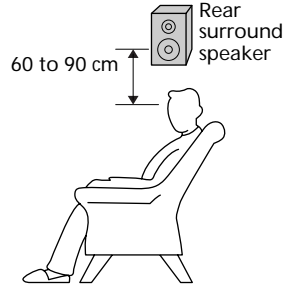
- 2 Place the center surround speaker at about the same height as the front speakers (A). Align the center surround speaker with the front speakers or place it slightly behind the front speakers (B).



- B
- Center surround speaker



- 3 Place the rear surround speakers facing each other at about 60 to 90 cm above your listening position.



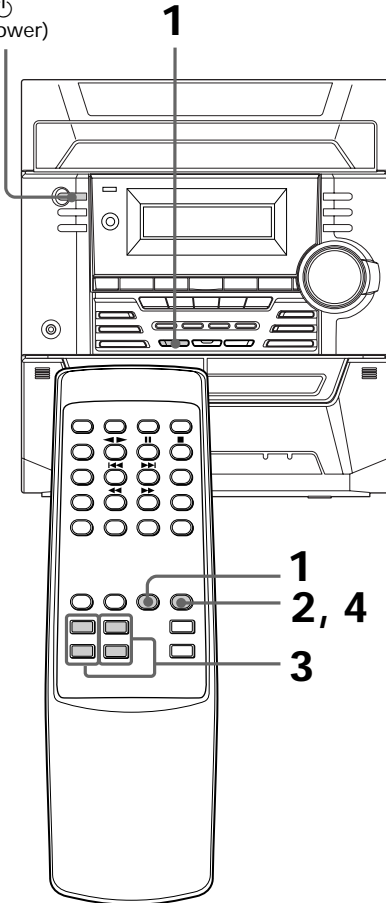
continued

**Step 2: Setting up your speakers
(continued)**

Adjusting the speaker volume

To enjoy Dolby Pro Logic Surround sound, turn on the Dolby Pro Logic mode, then adjust the volume of each speaker using the test tone provided by the system.

I/⏻
(Power)



1 Press DOLBY PRO LOGIC (or PRO LOGIC on the remote).
“PRO LOGIC ON” appears.

2 Press T.TONE on the remote.
Each speaker emits the test tone in the following order. Adjust the volume of the test tone.

┌ LEFT (front) → CENTER → RIGHT (front) ┐
└────────── REAR ←──────────────────┘

3 From your listening position, press CENTER +/- and REAR +/- on the remote to adjust the volume.
Adjust until the volume levels from each speaker become the same.

4 Press T.TONE when you are done adjusting.
The test tone turns off.

Tip

If you turn VOLUME (or press VOL +/- on the remote) all the speaker volumes change.

Note

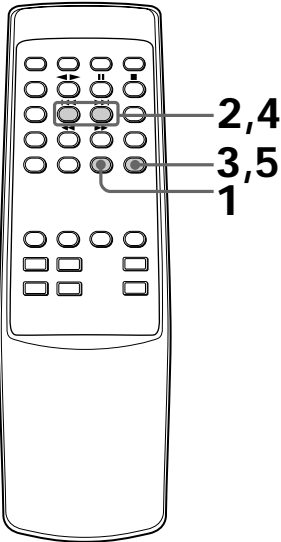
The test tone feature works only for Dolby Pro Logic Surround sound.

Step 3: Setting the time

You must set the time before using the timer functions.

The clock uses a 24-hour system on the European model, and a 12-hour system on other models.

The 12-hour system is used for illustration purposes.



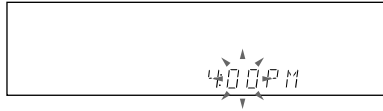
-
- 1 Press **CLOCK/TIMER SET**.
The hour indication flashes.



-
- 2 Press **◀◀** or **▶▶** repeatedly to set the hour.



-
- 3 Press **ENTER**.
The minute indication flashes.



-
- 4 Press **◀◀** or **▶▶** repeatedly to set the minute.

-
- 5 Press **ENTER**.
The clock starts working.
-

Tip

If you make a mistake, start over from step 1.

To change the time

The previous explanation shows how to set the time while the power is off. To change the time while the power is on, do the following:

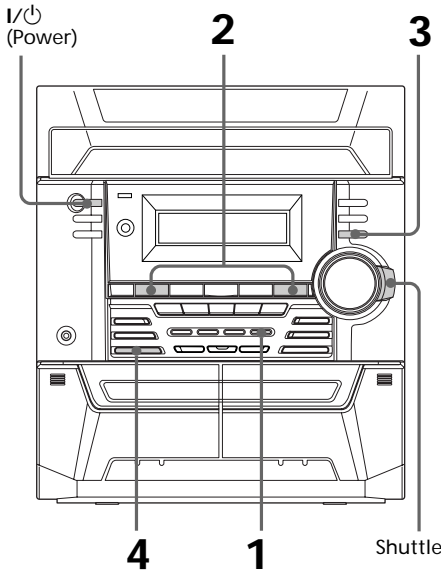
- 1 Press **CLOCK/TIMER SET**.
- 2 Press **◀◀** or **▶▶** repeatedly to select **SET CLOCK**.
- 3 Press **ENTER**.
- 4 Perform steps 2 through 5 above.

Notes

- The clock settings are canceled when you disconnect the power cord or if a power failure occurs.
- For MHC-BX6AV, you cannot set the time in the Power Saving Mode (see page 12).

Step 4: Presetting radio stations

You can store a total of 30 preset stations (20 for FM and 10 for AM).



1 Press TUNER/BAND repeatedly to select FM or AM.

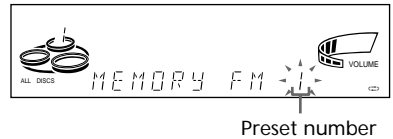
2 Press and hold + or - (or TUNING +/- on the remote) until the frequency indication starts to change, then release.

Scanning stops automatically when a station is tuned in. "TUNED" and "STEREO" (for a stereo program) appear in the display.



3 Press TUNER MEMORY.

A preset number appears in the display. The stations are stored from preset number 1.



-
- 4** Press ENTER.
The station is stored.
-

- 5** Repeat steps 1 through 4 to store other stations.
-

To tune in a station with a weak signal

Press + or - (or TUNING +/- on the remote) repeatedly in step 2 to tune in the station manually.

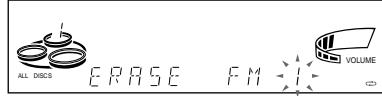
To set another station to an existing preset number

Start over from step 1. After step 3, turn the shuttle until it clicks to select the preset number where you want to store the other station.

You can preset a new station in the selected preset number.

To erase a preset station

- 1 Press and hold TUNER MEMORY until a preset number appears in the display.



- 2 Turn the shuttle until it clicks to select the preset number you want to erase. Select "ALL ERASE" when you want to erase all the preset stations.

- 3 Press ENTER.
"COMPLETE" appears in the display.

When you erase a preset number, the preset number decreases by one and all preset numbers following the erased one are renumbered.

To change the AM tuning interval (Except for the European and Middle Eastern models)

The AM tuning interval is factory-preset to 9 kHz (10 kHz in some areas). To switch the AM tuning interval, tune in any AM station first, then turn off the power. While holding down TUNER/BAND, turn the power back on. When you switch the interval, AM preset stations are erased. To switch back to the original interval, repeat the same procedure.

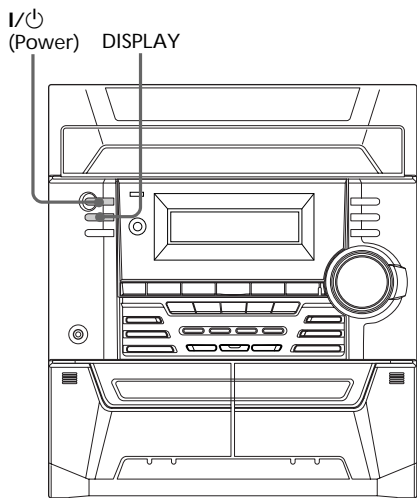
Tip

The preset stations are retained for half a day even if you unplug the power cord or a power failure occurs.

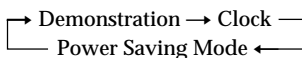
Saving the power in standby mode

(MHC-BX6AV only)

You can lower the power consumption to a minimum (Power Saving Mode) and save energy in the standby mode.



➔ Press DISPLAY repeatedly when the power is off. Each time you press the button, the system switches as follows:



The system is turned on/off by pressing I/⏻.

Tips

- I/⏻ indicator and timer indicator (when the timer is set) light even in the Power Saving Mode.
- The timer functions in the Power Saving Mode.

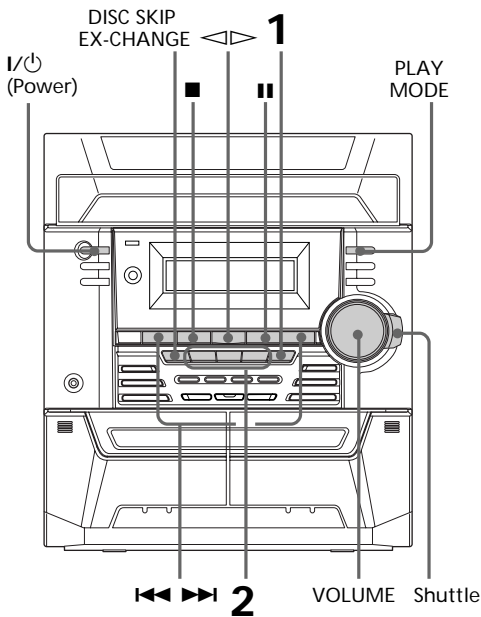
To cancel the Power Saving Mode

Press DISPLAY once to show the demonstration, twice to show the clock display.

Playing a CD

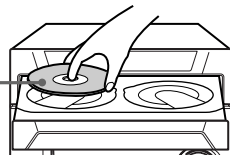
— Normal Play

You can play up to three CDs in a row.



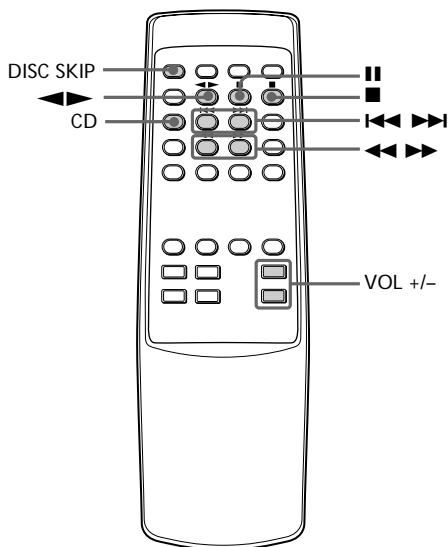
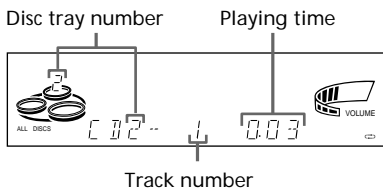
- 1 Press **▲ OPEN/CLOSE** and place up to two CDs on the disc tray. If a disc is not placed properly, it will not be recognized.

Place with the label side up. When you play a CD single (8 cm CD), place it on the inner circle of the tray.



To insert a third disc, press **DISC SKIP EX-CHANGE** to rotate the disc tray.

- 2 Press one of the **DISC 1~3** buttons. The disc tray closes and playback starts. If you press **◀▶** when CD is selected as the function and the disc tray is closed, playback starts from the CD loaded on the tray whose number is displayed.



continued

Playing a CD (continued)

To	Do this
Stop playback	Press ■.
Pause	Press ■■. Press again to resume playback.
Select a track	During play or pause, press ►►1 (to go forward) or 1◄◄ (to go back).
Find a point in a track	Turn the shuttle clockwise (to go forward) or counterclockwise (to go back) until it clicks and hold (or press and hold down ►► or ◄◄ on the remote). Release it when you find the desired point.
Select a CD in stop mode	Press a DISC 1~3 button or DISC SKIP EX-CHANGE (or DISC SKIP on the remote).
Play only the CD you have selected	Press PLAY MODE repeatedly until "1 DISC" appears.
Play all CDs	Press PLAY MODE repeatedly until "ALL DISCS" appears.
Remove the CD	Press ▲ OPEN/CLOSE.
Exchange other CDs while playing	Press DISC SKIP EX-CHANGE.
Adjust the volume	Turn VOLUME (or press VOL +/- on the remote).

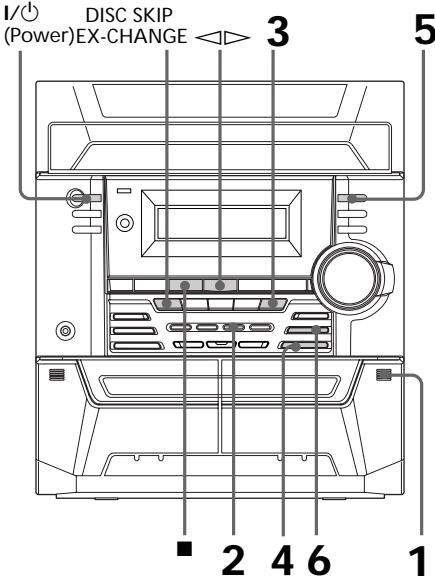
Tips

- You can switch from another source to the CD player and start playing a CD just by pressing one of the DISC 1~3 buttons (Automatic Source Selection).
- If there is no CD in the player, "CD NO DISC" appears in the display.

Recording a CD

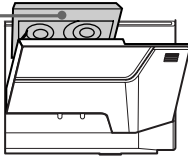
— CD Synchro Recording

The CD SYNC button lets you record from a CD to a tape easily. You can use a TYPE I (normal) tape.



- 1 Press and insert a recordable tape into deck B.

With the side you want to record facing forward



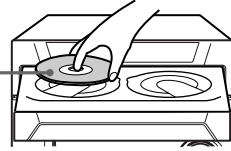
- 2 Press CD.

- 3 Press OPEN/CLOSE and place a CD.

Then press OPEN/CLOSE again to close the disc tray.

When the CD you want to record is not selected, press DISC SKIP EX-CHANGE repeatedly to select the CD you want.

Place with the label side up. When you play a CD single (8 cm CD), place it on the inner circle of the tray.



- 4 Press CD SYNC.

Deck B stands by to record in the direction of the indicator on (the right indicator lights to record on the forward side and the left indicator lights to record on the reverse side). The CD player stands by for playback.

- 5 Press DIRECTION repeatedly to select to record on one side. Select (or RELAY) to record on both sides.

- 6 Press REC PAUSE. Recording starts.

To stop recording

Press .

Tips

- If you want to record from the reverse side, press TAPE A/B repeatedly to select deck B after step 1. Press to start playback of the reverse side, then press where you want to start recording.
- When you record on both sides, be sure to start from the front side. If you start from the reverse side, recording stops at the end of the reverse side.

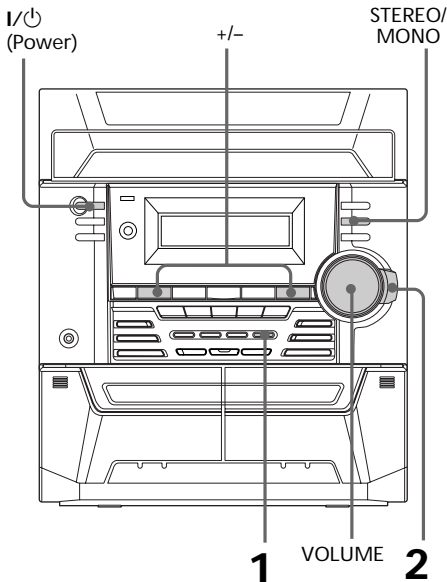
Note

You cannot listen to other sources while recording.

Listening to the radio

-- Preset Tuning

Preset radio stations in the system's memory first (see "Step 4: Presetting radio stations" on page 10).



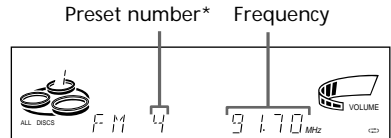
1 Press TUNER/BAND repeatedly to select FM or AM.

2 Turn the shuttle until it clicks (or press PRESET +/- on the remote) to tune in the desired preset station.

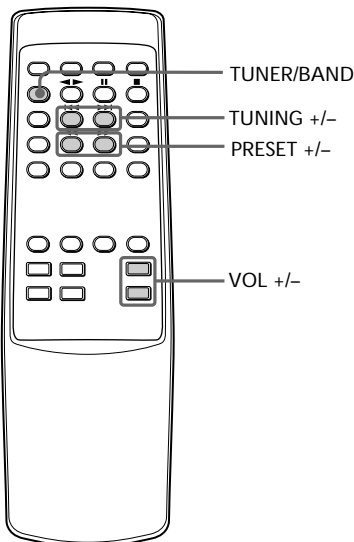
Turn counter-clockwise (or press PRESET - on the remote) for lower preset numbers.



Turn clockwise (or press PRESET + on the remote) for higher preset numbers.



* When only one station is preset, "ONE PRESET" appears in the display.



To	Do this
Turn off the radio	Press I/⏻.
Adjust the volume	Turn VOLUME (or press VOL +/- on the remote).

To listen to non-preset radio stations

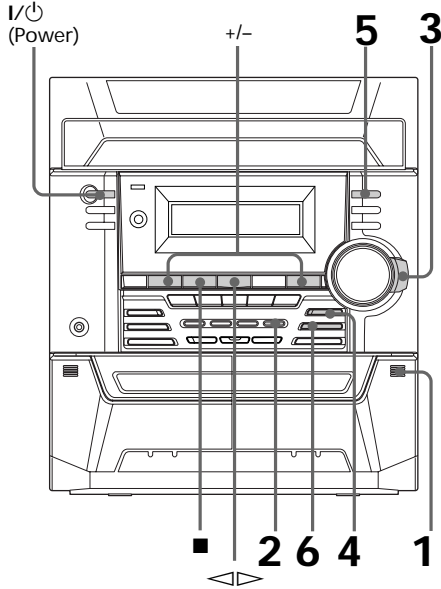
Use manual or automatic tuning in step 2. For manual tuning, press + or - (or TUNING +/- on the remote) repeatedly. For automatic tuning, press and hold + or - (or TUNING +/- on the remote).

Tips

- You can switch from another source to the radio just by pressing TUNER/BAND (Automatic Source Selection).
- When an FM program is noisy, press STEREO/MONO so that "MONO" appears in the display. There will be no stereo effect, but the reception will improve. Press the button again to restore the stereo effect.
- To improve broadcast reception, adjust the supplied antennas.

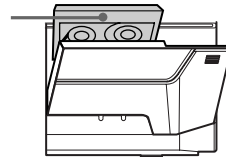
Recording from the radio

You can record the radio program on a tape by calling up a preset station. You can use a TYPE I (normal) tape.



- 1 Press and insert a recordable tape into deck B.

With the side you want to record facing forward



- 2 Press TUNER/BAND to select the band you want.

continued

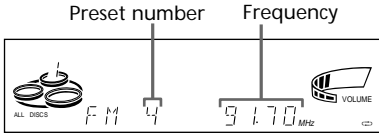
Recording from the radio (continued)

- 3** Turn the shuttle until it clicks to tune in a preset station.

Turn counter-clockwise for lower preset numbers.



Turn clockwise for higher preset numbers.



- 4** Press REC.

Deck B stands by to record in the direction of the indicator on ◀▶ (the right indicator lights to record on the forward side and the left indicator lights to record on the reverse side).

- 5** Press DIRECTION repeatedly to select ↔ to record on one side. Select ↔ (or RELAY) to record on both sides.

- 6** Press REC PAUSE.
Recording starts.

To stop recording

Press ■.

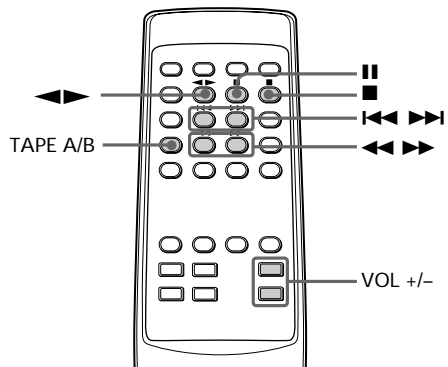
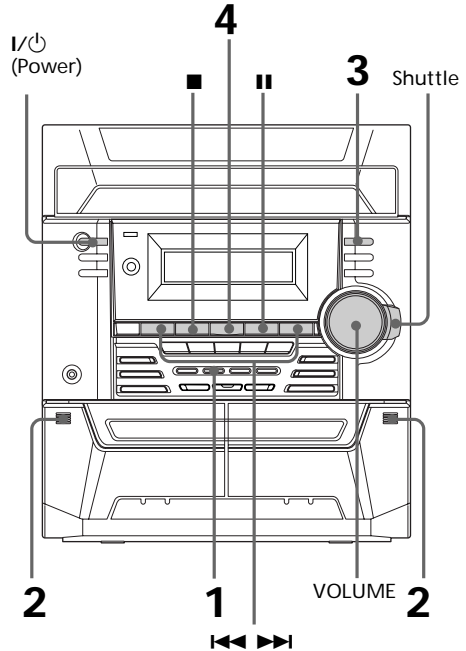
Tips

- If you want to record from the reverse side, press TAPE A/B repeatedly to select deck B after step 1. Press ◀▶ to start playback of the reverse side, then press ■ where you want to start recording.
- When you record on both sides, be sure to start from the front side. If you start from the reverse side, recording stops at the end of the reverse side.
- To record non-preset stations, use + and - in step 3 to tune in the desired station manually.
- If noise is heard while recording from the radio, move the respective antenna to reduce the noise.

Playing a tape

You can use a TYPE I (normal) tape. You can also use ◀▶▶▶ to quickly search for songs you want to hear (AMS* function). To select either deck A or B, press TAPE A/B repeatedly.

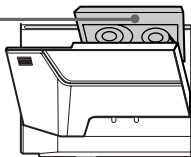
* AMS (Automatic Music Sensor)



- 1 Press **TAPE A/B**.
To select deck A or B, press **TAPE A/B** repeatedly.

- 2 Press **⇄** and insert a recorded tape in deck A or B.

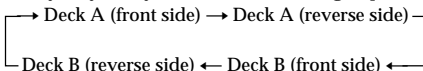
With the side you want to play facing forward



- 3 Press **DIRECTION** repeatedly to select **⇄** to play one side. Select **↔** to play both sides.
To play both decks in succession, select **RELAY (Relay Play)***.

- 4 Press **◀▶**.
Press **◀▶** again to play the reverse side. The tape starts playing.

* Relay Play always follows the following sequence:



To	Do this
Stop playback	Press ■ .
Pause	Press ⏸ . Press again to resume playback.
Fast-forward	Turn the shuttle clockwise until it clicks while playing the front side or counterclockwise until it clicks while playing the reverse side (or press ▶▶ or ◀◀ on the remote).
Rewind	Turn the shuttle counterclockwise until it clicks while playing the front side or clockwise until it clicks while playing the reverse side (or press ◀◀ or ▶▶ on the remote).
Remove the cassette	Press ⇄ .
Adjust the volume	Turn VOLUME (or press VOL +/- on the remote).

Searching for the beginning of the current or the next track (AMS*)

To go forward

Press **▶▶** during playback when the right indicator on **◀▶** lights. "TAPE A (or TAPE B) >>> +1" appears.

Press **◀◀** during playback when the left indicator on **◀▶** lights. "TAPE A (or TAPE B) <<< +1" appears.

To go back

Press **◀◀** during playback when the right indicator on **◀▶** lights. "TAPE A (or TAPE B) <<< -1" appears.

Press **▶▶** during playback when the left indicator on **◀▶** lights. "TAPE A (or TAPE B) >>> -1" appears.

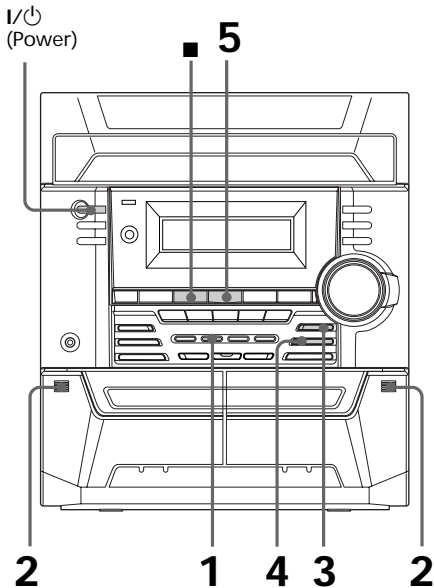
* Automatic Music Sensor

Notes

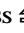
- The deck stops automatically after repeating the sequence five times.
- The AMS function may not operate correctly under the following circumstances:
 - When the unrecorded space between songs is less than 4 seconds long.
 - If completely different information is recorded on the left and right channels.
 - When there are continuous sections of extremely low level or low frequency sound (like those of a baritone sax).
 - When the unit is placed near a television. (In this case, we recommend moving the unit farther away from the television or turning off the television.)

Recording from a tape

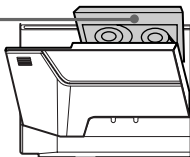
You can use a TYPE I (normal) tape.

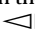


1 Press TAPE A/B repeatedly to select deck A.


2 Press  and insert a recorded tape in deck A and a recordable tape in deck B.

With the side you want to play/record facing forward



3 Press REC.
Deck B stands by to record in the direction of the indicator on  (the right indicator lights to record on the forward side and the left indicator lights to record on the reverse side).

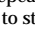
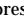
4 Press REC PAUSE.
Recording starts.

5 Press .

To stop recording

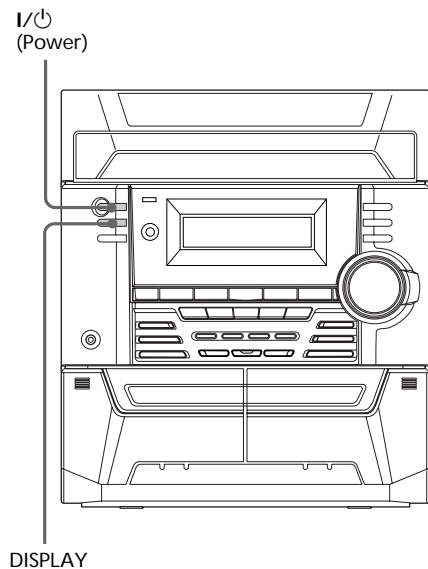
Press .

Tip

If you want to record from the reverse side, press TAPE A/B repeatedly to select deck B after step 2. Press  to start playback of the reverse side, then press  where you want to start recording.

Using the CD display

You can check the remaining time of the current track or the entire CD.



➔ Press DISPLAY.

Each time you press the button during normal playback or when the playback is stopped, the display changes as follows:

During normal playback

- ➔ Playing time of the current track
- ↓
- Remaining time of the current track*
- ↓
- Disc number of the current track and "PLAY"
- ↓
- Clock display (for ten seconds)
- ↓
- Effect status

When playback is stopped

During Program Play mode when there is a program

- ➔ The last track number of the program and the total playing time
- ↓
- The last track number of the program and the total number of programmed tracks
- ↓
- Clock display (for ten seconds)
- ↓
- Effect status

In other conditions

- ➔ The current disc number
- ↓
- Total number of tracks and total playing time
- ↓
- Clock display (for ten seconds)
- ↓
- Effect status

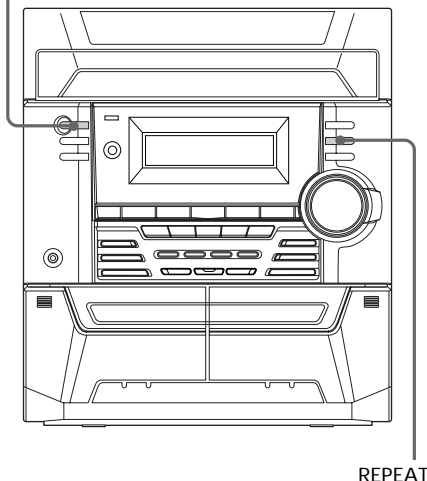
* If the CD contains 21 tracks or more, "--:--" will appear in the display for each track after the 21st.

Playing the CD tracks repeatedly

— Repeat Play

This function lets you repeat a single CD or all CDs in Normal Play, Shuffle Play, and Program Play.

I/⏻
(Power)



REPEAT

➔ Press REPEAT during playback until “REPEAT” appears in the display.

Repeat Play starts. Do the following procedure to change the repeat mode.

To repeat	Press
All the tracks on the current CD up to five times	PLAY MODE repeatedly until “1 DISC” appears in the display.
All the tracks on all CDs up to five times* ¹	PLAY MODE repeatedly until “ALL DISCS” appears in the display.
Only one track* ²	REPEAT repeatedly until “REPEAT 1” appears in the display while playing the track you want to repeat.

*¹You cannot use this function during Shuffle Play.

*²The track is repeated until ■ is pressed to stop playback.

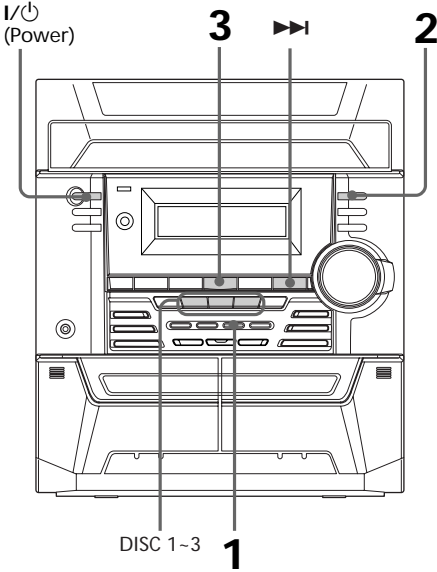
To cancel Repeat Play

Press REPEAT repeatedly until “REPEAT” or “REPEAT 1” disappears from the display.

Playing the CD tracks in random order

— Shuffle Play

You can play all the tracks on one CD or all CDs in random order.



To cancel Shuffle Play

Press PLAY MODE repeatedly until “SHUFFLE” or “PROGRAM” disappears from the display. The tracks continue playing in their original order.

To select a desired CD

Press DISC 1~3.

Tips

- You can start Shuffle Play during Normal Play by pressing PLAY MODE repeatedly to select “SHUFFLE”.
- To skip a track, press ►►.

1 Press CD, then place a CD.

2 Press PLAY MODE repeatedly until “1 DISC SHUFFLE” or “ALL DISCS SHUFFLE” appears in the display. “ALL DISCS SHUFFLE” shuffles all the CDs in the player. “1 DISC SHUFFLE” shuffles tracks on the CD whose disc number is lit.

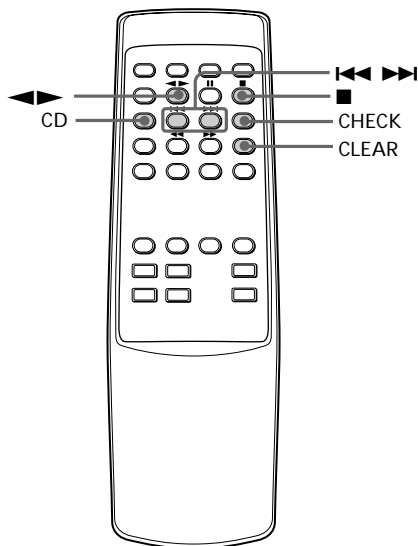
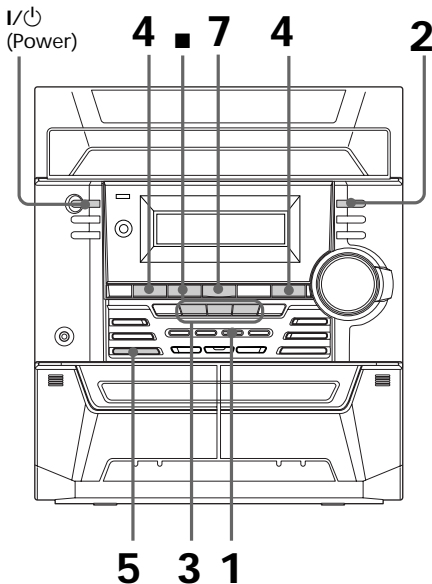
3 Press ◀▶.

All the tracks play in random order.

Programming the CD tracks

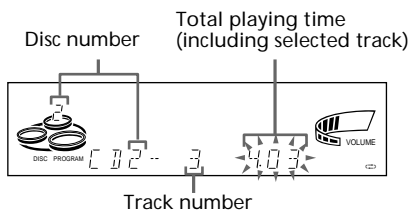
— Program Play

You can make a program of up to 32 tracks from all the CDs in the order you want them to be played.



- 1 Press CD, then place a CD.
- 2 Press PLAY MODE repeatedly until "PROGRAM" appears in the display.
- 3 Press one of the DISC 1~3 buttons to select a CD.

- 4 Press ◀◀ or ▶▶ until the desired track appears in the display.



- 5 Press ENTER.
The track is programmed. The program step number appears, followed by the total playing time.

- 6 To program additional tracks, repeat steps 3 to 5.
Skip step 3 to select tracks from the same disc.

- 7 Press ◀▶.
All the tracks play in the order you selected.

To cancel Program Play

Press PLAY MODE repeatedly until "PROGRAM" or "SHUFFLE" disappears from the display.

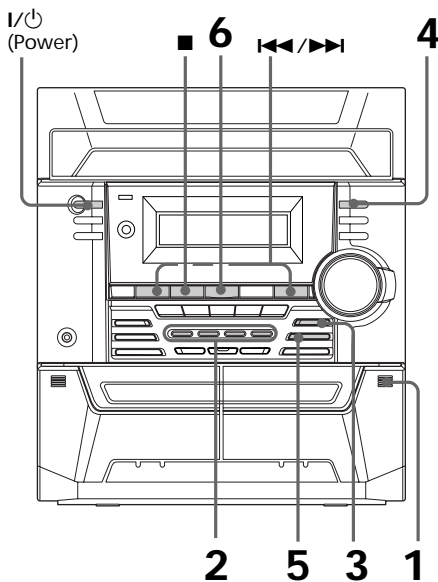
To	Press
Check the program	CHECK on the remote repeatedly. After the last track, "CHECK END" appears.
Clear a track from the end	CLEAR on the remote in stop mode.
Clear a specific track	CHECK on the remote repeatedly until the number of the track to be erased appears, then press CLEAR.
Add a track to the program	1 Select the disc tray with a DISC 1-3 button. 2 Select the track by pressing ◀◀ / ▶▶. 3 Press ENTER.
Clear the entire program	■ once in stop mode or twice during playback.

Tips

- The program you made remains in the system's memory even after it has been played back. Press CD, then press <◁▷> to play the same program again.
- If "--:--" appears instead of the total playing time during programming, this means:
 - you have programmed a track number which exceeds 20.
 - the total playing time has exceeded 100 minutes.

Recording on a tape manually

You can record from CD, tape, or radio as you like. For example, you can record just the songs you want or record from the middle of the tape.



1 Insert a recordable tape into deck B.

2 Press the function button of the source you want to record (e.g., CD).

When you want to record from TAPE A, press TAPE A/B repeatedly until TAPE A is selected.

3 Press REC.

Deck B stands by to record in the direction of the indicator on $\triangleleft \triangleright$ (the right indicator lights to record on the forward side and the left indicator lights to record on the reverse side).

4 Press DIRECTION repeatedly to select $\triangleleft \triangleright$ to record on one side. Select $\triangleleft \triangleright$ (or RELAY) to record on both sides.

5 Press REC PAUSE. Recording starts.

6 Press $\triangleleft \triangleright$ to start playing the source to be recorded.

To	Press
Stop recording	■
Pause recording	REC PAUSE.

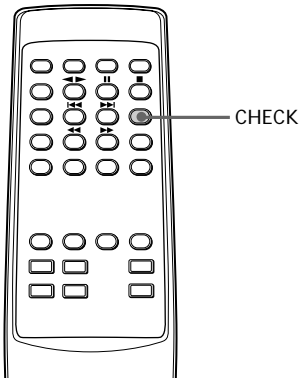
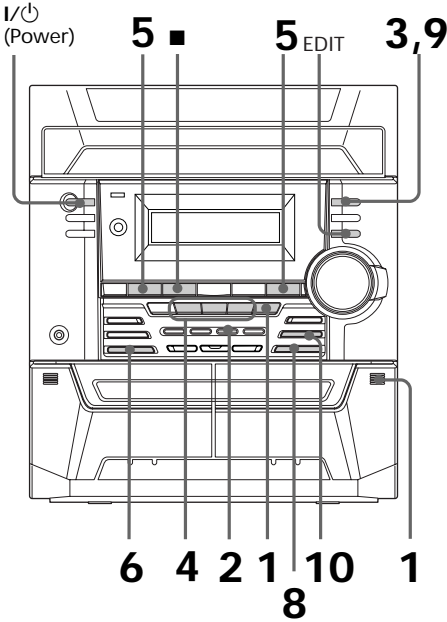
Tips

- If you want to record from the reverse side, press TAPE A/B repeatedly to select deck B after step 1. Press $\triangleleft \triangleright$ to start playback of the reverse side, then press ■ where you want to start recording.
- When recording from a CD, you can use $\triangleleft \triangleleft$ or $\triangleright \triangleright$ to select tracks during rec pause mode (after pressing REC in step 3 and before pressing REC PAUSE in step 5).

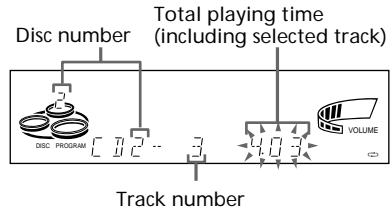
Recording a CD by specifying track order

— Program Edit

You can record tracks from all the CDs in the order you want. When programming, make sure the playing times for each side do not exceed the length of one side of the tape.



- 1 Place a CD and insert a recordable tape into deck B.
- 2 Press CD.
- 3 Press PLAY MODE repeatedly until "PROGRAM" appears in the display.
- 4 Press one of the DISC 1-3 buttons to select a CD.
- 5 Press ◀◀ or ▶▶ until the desired track appears in the display.



- 6 Press ENTER.
The track is programmed. The program step number appears, followed by the total playing time.
- 7 To program additional tracks, repeat steps 4 to 6.
Skip step 4 to select tracks from the same disc.

continued

Recording a CD by specifying track order (continued)

8 Press CD SYNC.
Deck B stands by to record in the direction of the indication on ◀▶ (the right indication lights to record on the forward side and the left indicator lights to record on the reverse side). The CD player stands by for playback.

9 Press DIRECTION repeatedly to select ↔ to record on one side. Select ⇄ (or RELAY) to record on both sides.

10 Press REC PAUSE.
Recording starts.

To stop recording

Press ■.

To check the order

Press CHECK on the remote repeatedly. After the last track, "CHECK END" appears.

To cancel Program Edit

Press PLAY MODE repeatedly until "PROGRAM" or "SHUFFLE" disappears from the display.

Selecting tape length automatically

—Tape Select Edit

You can check the most suitable tape length for recording a CD. Note that you cannot use Tape Select Edit for discs containing over 20 tracks.

1 Place a CD.

2 Press CD.

3 Press EDIT once, so that "EDIT" flashes.

The required tape length for the currently selected CD appears, followed by the total playing time for side A and side B respectively.

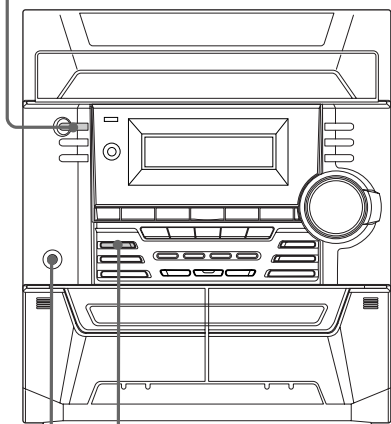
Note

You cannot use this function after programming. In order to use this function, you must first cancel the program by pressing PLAY MODE repeatedly until "PROGRAM" or "SHUFFLE" disappears from the display.

Adjusting the sound

You can reinforce the bass, create a more powerful sound, and listen with headphones.

I/⏻
(Power)



PHONES GROOVE

For a powerful sound (GROOVE)

Press GROOVE. The GROOVE button lights. The volume switches to power mode, DBFB* is automatically activated (“DBFB ■■■■■” appears), and the equalizer curve changes. To cancel, press GROOVE again. DBFB is cancelled (“DBFB ■■■■■” disappears) and the volume returns to the previous level.

* DBFB = Dynamic Bass Feedback

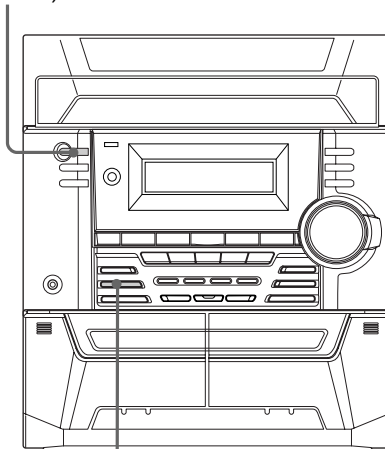
To listen through the headphones

Connect the headphones to PHONES jack. No sound will come from the speakers.

Selecting the audio emphasis

The audio emphasis menu lets you select the sound characteristic according to the type of music you are listening to.

I/⏻
(Power)



FILE SELECT

➔ Press FILE SELECT repeatedly until the effect you desire (ROCK, POP, JAZZ or GAME) appears in the display.

To cancel the effect

Press FILE SELECT repeatedly until “FLAT” appears in the display.

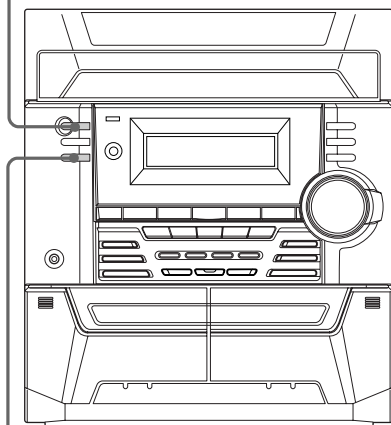
Tip

“SUR ■■■■■” appears if you select an effect with surround effects.

Changing the spectrum analyzer display

You can enjoy changing the display while listening to the music.

I/⏻
(Power)



SPECTRUM

➔ Press SPECTRUM.

Each time you press the button, the display changes as follows:

PATTERN 1 (Image pattern)

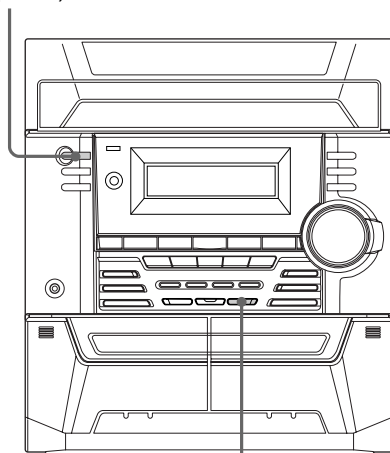


PATTERN 2 (Normal pattern)

Selecting surround effects

You can enjoy surround effects.

I/⏻
(Power)



DSP

➔ Press DSP repeatedly to select the surround effect you desire.

SURROUND ON: Reproduces stereo sources in surround sound.

HALL: Reproduces the acoustics of a concert hall.*

THEATER: Reproduces the acoustics of a movie theater.*

ENHANCED THEATER: Reproduces the acoustics of a large movie theater.*

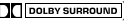
DSP OFF: Turns off the DSP mode.

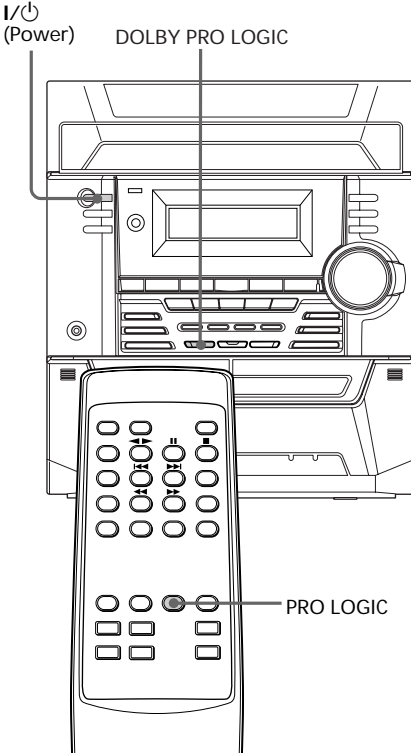
* The indicator on the front panel's DSP button lights up.

Note

When you choose other sound effects, the surround effects will be canceled.

Enjoying Dolby Pro Logic Surround sound

You can enjoy the Dolby Pro Logic Surround sound of videos that are Dolby Surround encoded (). Complete the setup and adjustments first (see page 7).



➔ Press DOLBY PRO LOGIC (or PRO LOGIC on the remote) while playing a program source.

The indicator on the front panel's DOLBY PRO LOGIC button lights up.

To cancel the Dolby Pro Logic Surround sound

Press DOLBY PRO LOGIC (or PRO LOGIC on the remote) again to turn off the indicator on the front panel's DOLBY PRO LOGIC button.

Notes

- You cannot use both Dolby Pro Logic Surround sound and the DSP surround effects at the same time.
- When recording the sound, be sure to turn off Dolby Pro Logic Surround sound.

Using the Radio Data System (RDS)

(European model only)

What is the Radio Data System?

Radio Data System (RDS) is a broadcasting service that allows radio stations to send additional information along with the regular program signal. This tuner offers convenient RDS features like station name display and location of stations by program type. RDS is available only on FM stations.*

Note

RDS may not work properly if the station you are tuned to is not transmitting the RDS signal properly or if the signal strength is weak.

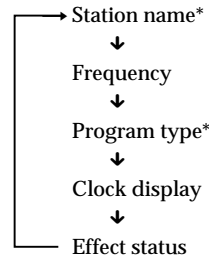
* Not all FM stations provide RDS service, nor do they provide the same types of services. If you are not familiar with the RDS system, check with your local radio stations for details on RDS services in your area.

Receiving RDS broadcasts

→ Simply select a station from the FM band. When you tune in a station that provides RDS services, the station name appears in the display.

To check the RDS information

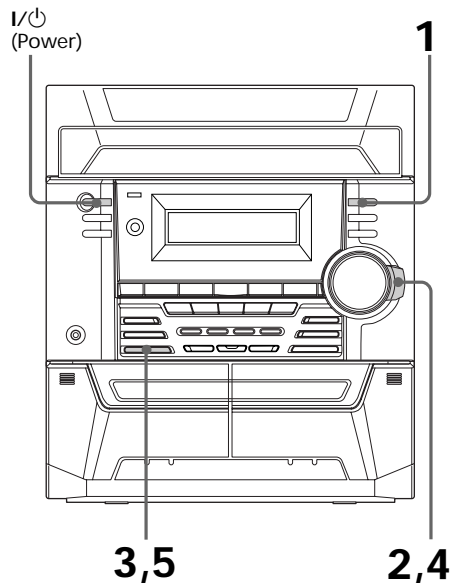
Each time you press DISPLAY, the display changes as follows:



* If the RDS broadcast is not received, the station name and program type may not appear in the display.

Locating a station by program type (PTY)

You can locate a station you want by selecting a program type. The unit tunes in the type of programs currently being broadcast from the RDS stations stored in the tuner's preset memory.



- 1** Press **PTY/DIRECTION** while listening to the radio.
- 2** Turn the shuttle until it clicks to select the program type you want. See the “List of program types” section below.
- 3** Press **ENTER**.
The unit starts searching the preset RDS stations (“SEARCH” and the selected program type are shown alternately in the display).
When the tuner receives a program, the preset station number flashes.
- 4** Turn the shuttle until it clicks to display the preset station number you desire.
- 5** Press **ENTER** while the preset station number is flashing.

To cancel PTY search

Press **PTY/DIRECTION** again.

List of program types (PTY)

-
- NEWS**
News programs.
-
- AFFAIRS**
Topical programs that expand on current news.
-
- INFO**
Programs about consumer affairs, medical advice.
-
- SPORT**
Sports programs.
-
- EDUCATE**
Educational programs, such as “how-to” programs and advice.

-
- DRAMA**
Radio plays and serials.
-
- CULTURE**
Programs about national or regional culture, language, and social concerns.
-
- SCIENCE**
Programs about the natural sciences.
-
- VARIED**
Programs containing celebrity interviews, panel games, and comedy.
-
- POP M**
Popular music programs.
-
- ROCK M**
Rock music programs.
-
- EASY M**
Easy listening (middle of the road music).
-
- LIGHT M**
Classical music, such as instrumental, vocal, and choral works.
-
- CLASSICS**
Performances of major orchestras, chamber music, opera, etc.
-
- OTHER M**
Music, such as rhythm and blues and reggae.
-
- WEATHER**
Weather information.
-
- FINANCE**
Stock market reports and trading, etc.
-
- CHILDREN**
Programs for young.
-
- SOCIAL**
Programs about people and the things that affect them.
-
- RELIGION**
Programs of religious contents.
-
- PHONE IN**
Programs where members of the public express their views by phone or in a public forum.

continued

Using the Radio Data System (RDS) (continued)

TRAVEL

Programs about travel. Not for announcements that are located TP/TA.

LEISURE

Programs on recreational activities such as gardening, fishing, cooking, etc.

JAZZ

Jazz programs.

COUNTRY

Country music programs.

NATION M

Programs featuring the popular music of the country or region.

OLDIES

Programs featuring oldies music.

FOLK M

Folk Music Programs.

DOCUMENT

Investigative features.

TEST

Test signal for emergency broadcasts.

ALARM

Emergency broadcasts.

NONE

Any programming not defined above.

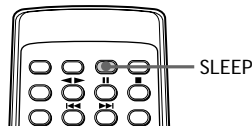
Note

"NO PTY" appears when the program type you select is not currently being broadcast.

Falling asleep to music

— Sleep Timer

You can set the system to turn off at a preset time, so you can fall sleep to music. You can preset the time to be turned off in 10 minute increments.



➔ Press SLEEP.

Each time you press the button, the minute display (the turn-off time) changes as follows:

AUTO → 90MIN → 80MIN → 70MIN
→ ... → 10MIN → SLEEP OFF →
AUTO ...

When you choose "AUTO"

The power turns off when the current CD or tape finishes playback (for up to 100 minutes).

To check the remaining time

Press SLEEP once.

To change the time to turn off

Press SLEEP repeatedly until the time you want appears.

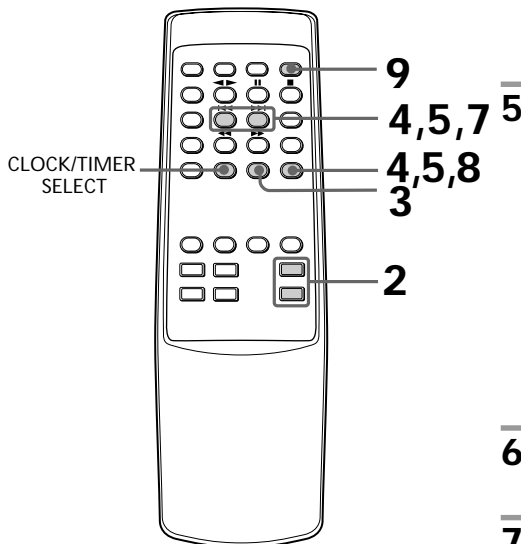
To cancel the Sleep Timer function

Press SLEEP repeatedly until "SLEEP OFF" appears.

Waking up to music

— Daily Timer

You can wake up to music at a preset time every day. Make sure you have set the clock (see “Step 3: Setting the time” on page 9).



1 Prepare the music source you want to play.

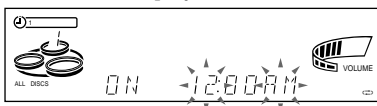
- CD: Place a CD. To start from a specific track, make a program (see “Programming the CD tracks” on page 24).
- Tape: Insert a tape with the side you want to play facing forward.
- Radio: Tune in the preset station you want (see “Listening to the radio” on page 16).

2 Adjust the volume.

3 Press CLOCK/TIMER SET.
“SET (DAILY 1)” appears.

4 Press ◀◀ or ▶▶ repeatedly to select “DAILY 1 (or 2)”, then press ENTER.

“ON” appears and the hour indication flashes in the display.



5 Set the time to start playback.

Press ◀◀ or ▶▶ repeatedly to set the hour, then press ENTER.

The minute indication starts flashing.

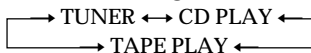


Press ◀◀ or ▶▶ repeatedly to set the minute, then press ENTER.

The hour indication flashes again.

6 Set the time to stop playback following the above procedure.

7 Press ◀◀ or ▶▶ repeatedly until the music source you want appears. The indication changes as follows:



continued

8 Press ENTER.

The type of timer (DAILY 1 or DAILY 2), followed by the start time, stop time, and the music source, appear, then the original display appears.

9 Turn off the power.

To check the setting

Press CLOCK/TIMER SELECT and press ◀◀ or ▶▶ repeatedly to select the respective mode (DAILY 1 or DAILY 2), then press ENTER.

To change the setting, start over from step 1.

To cancel the timer operation

Press CLOCK/TIMER SELECT and press ◀◀ or ▶▶ repeatedly to select "TIMER OFF", then press ENTER.

Tip

The power turns on 15 seconds before the preset time.

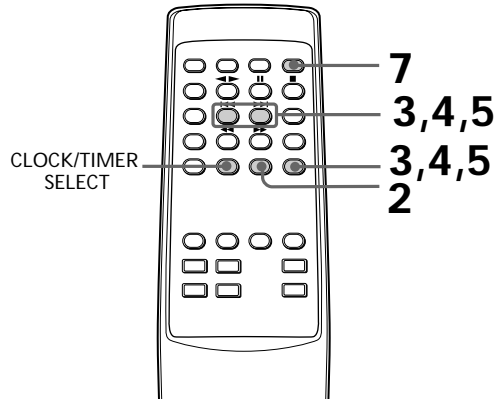
Notes

- You cannot activate DAILY 1 and DAILY 2 Timer at the same time.
- You cannot set the timer if the starting time and stopping time are the same.
- When you use the Sleep Timer, Daily Timer will not turn on the system until the Sleep Timer turns it off.
- You cannot activate Daily Timer and Timer-recording at the same time.

Timer-recording radio programs

You can record a preset radio station from a specified time.

To timer-record, you must preset the radio station (see "Step 4: Presetting radio stations" on page 10) and set the clock (see "Step 3: Setting the time" on page 9) beforehand.



1 Tune in the preset radio station (see "Listening to the radio" on page 16).

2 Press CLOCK/TIMER SET.
"SET (DAILY 1)" appears.

3 Press ◀◀ or ▶▶ repeatedly to select "REC", then press ENTER.
"ON" appears and the hour indication flashes in the display.



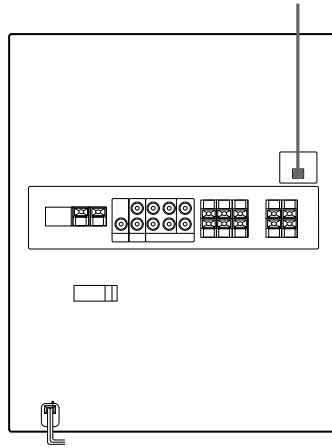
Connecting audio components

Select one of the following connections, depending on the component to be connected and method of connecting. Refer to the instructions of each component.

Connecting an MD deck for digital recording

You can record from CD into the MD deck digitally by connecting an optional optical cable.

To the digital input jack of the MD deck



continued

- Set the time to start recording.
Press **◀** or **▶** repeatedly to set the hour, then press **ENTER**.
The minute indication starts flashing.



Press **◀** or **▶** repeatedly to set the minute, then press **ENTER**.
The hour indication flashes again.

- Set the time to stop recording following the above procedure.
The start time, followed by the stop time, the preset radio station to be recorded (e.g., "TUNER FM 5") appear, then the original display appears.

- Insert a recordable tape.

- Turn off the power.
When the recording starts, the volume level is set to the minimum.

To check the setting

Press **CLOCK/TIMER SELECT** and press **◀** or **▶** repeatedly to select "REC", then press **ENTER**.

To change the setting, start over from step 1.

To cancel the timer operation

Press **CLOCK/TIMER SELECT** and press **◀** or **▶** repeatedly to select "TIMER OFF", then press **ENTER**.

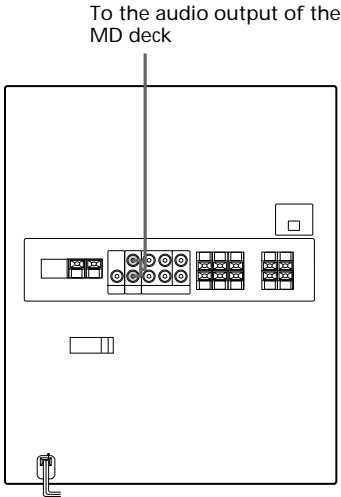
Notes

- If the power is on at the preset time, the recording will not be made.
- You cannot set the timer if the starting time and stopping time are the same.
- When you use the Sleep Timer, Timer-recording will not turn on the system until the Sleep Timer turns it off.
- You cannot activate Timer-recording and Daily Timer at the same time.

Connecting audio components (continued)

Connecting an MD deck for listening to music

Make sure to match the color of the plugs and the connectors. To listen to the sound of the connected MD deck, press MD (VIDEO).

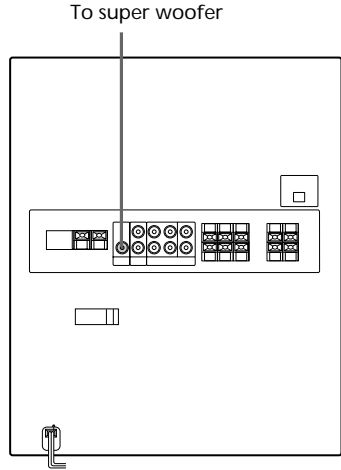


Note

If you cannot select "MD" when you press MD (VIDEO), press I/⏻ while pressing MD (VIDEO) when the power is turned off. "VIDEO" will be switched to "MD". To return to "VIDEO", do the same procedure. However, you cannot switch from "MD" to "VIDEO" or from "VIDEO" to "MD" when the system is in the Power Saving Mode (see page 12).

Connecting a super woofer speaker

You can connect an optional super woofer speaker.

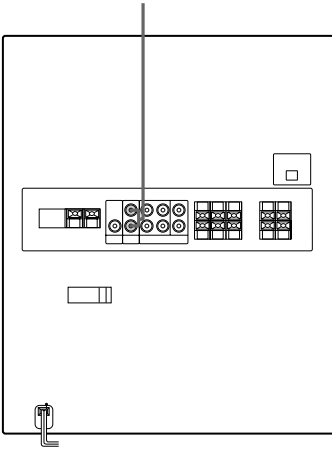


Connecting a VCR

By connecting the audio output jacks of your VCR to the MD/VIDEO IN jacks using an optional audio cable, you can enjoy video playback in powerful stereo sound.

Make sure to match the color of the plugs and the connectors. To listen to the sound of the connected VCR, hold down MD (VIDEO) and press I/⏻ when the power is turned off. This switches the “MD” function to “VIDEO”. Once you enable the “VIDEO” function, just press MD (VIDEO).

To the audio output of the video deck



Notes

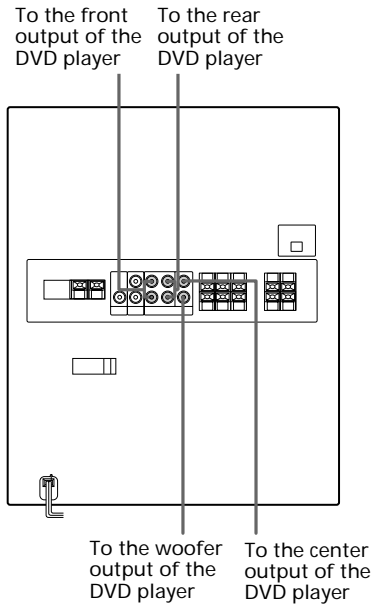
- You cannot switch from “MD” to “VIDEO” or from “VIDEO” to “MD” when the system is in the Power Saving Mode (see page 12).
- To return to “MD”, press I/⏻ while pressing MD (VIDEO) again when the power is turned off.
- When you connect a VIDEO CD deck, set to “MD”.

Connecting a DVD player

When your DVD player has 5.1 channel analog outputs

Be sure to match the color of the plugs and the connectors. To listen to the sound from the connected DVD player, press DVD 5.1CH. The indicator on the button lights.

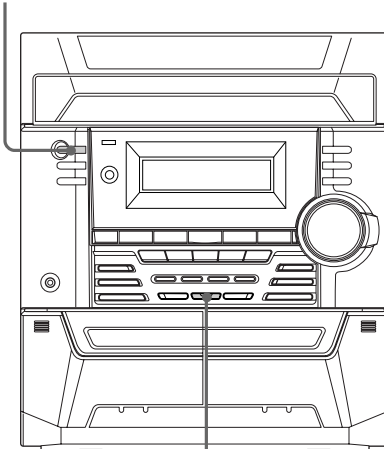
When you listen to a stereo sound track from the DVD player, press DVD 5.1CH to turn off the indicator.



continued

Connecting a DVD player (continued)

I/⏻
(Power)



DVD 5.1CH

When your DVD player has stereo analog outputs

Be sure to match the color of the plugs and the connectors. Connect the LINE OUT (audio) output jack of your DVD player to the FRONT jacks of DVD INPUT with the audio connecting cable. To listen to the sound from the connected DVD player, press DVD 5.1CH to turn off the indicator on the button.

Notes

- Each time you press DVD 5.1CH, the function changes as follows.
DVD 5.1CH (indicator on) ↔ DVD (2 channel) (indicator off)
- You cannot enjoy the 5.1 channel surround sound if you connect a DVD player which does not have the 5.1 channel analog outputs.
- If there is no sound when you connect a DVD player which has 5.1 channel analog outputs, connect the LINE OUT (audio) output jacks of your DVD player to the MD IN jacks, then change the function to "MD" by pressing MD (VIDEO). If you cannot select "MD", see page 38.

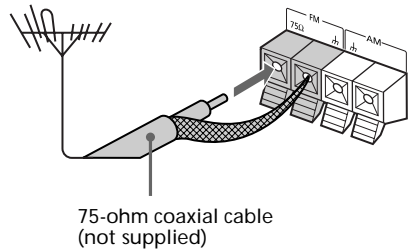
Connecting external antennas

Connect the external antenna to improve the reception. Refer to the instructions of each component.

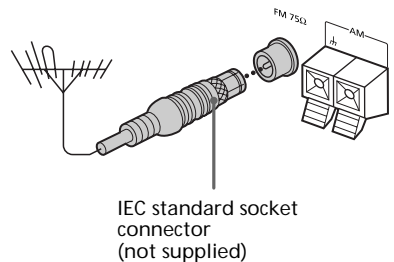
FM antenna

Connect the optional FM external antenna. You can also use the TV antenna instead.

Jack type ①



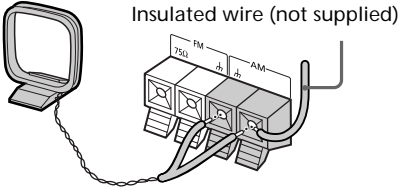
Jack type ②



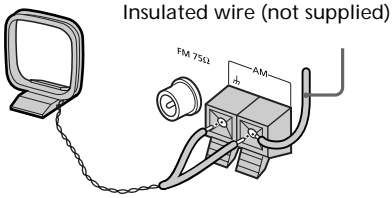
AM antenna

Connect a 6- to 15- meter insulated wire to the AM antenna terminal. Leave the supplied AM loop antenna connected.

Jack type ①



Jack type ②



Precautions

On operating voltage

Before operating the system, check that the operating voltage of your system is identical with the voltage of your local power supply.

On safety

- The unit is not disconnected from the AC power source (mains) as long as it is connected to the wall outlet, even if the unit itself has been turned off.
- Unplug the system from the wall outlet (mains) if it is not to be used for an extended period of time. To disconnect the cord (mains lead), pull it out by the plug. Never pull the cord itself.
- Should any solid object or liquid fall into the component, unplug the stereo system and have the component checked by qualified personnel before operating it any further.
- The AC power cord must be changed only at a qualified service shop.

On placement

- Place the stereo system in a location with adequate ventilation to prevent heat build-up in the stereo system.
- Do not place the unit in an inclined position.
- Do not place the unit in locations where it is;
 - Extremely hot or cold
 - Dusty or dirty
 - Very humid
 - Vibrating
 - Subject to direct sunlight.

On operation

- If the stereo system is brought directly from a cold to a warm location, or is placed in a very damp room, moisture may condense on the lens inside the CD player. Should this occur, the system will not operate properly. Remove the CD and leave the system turned on for about an hour until the moisture evaporates.
- When you move the system, take out any discs.

If you have any questions or problems concerning your stereo system, please consult your nearest Sony dealer.

Notes on CDs

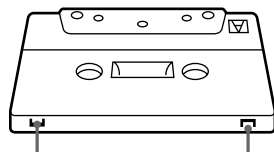
- Before playing, clean the CD with a cleaning cloth. Wipe the CD from the center out.
- Do not use solvents such as benzene, thinner, commercially available cleaners or anti-static spray intended for vinyl LPs.
- Do not expose the CD to direct sunlight or heat sources such as hot air ducts, nor leave it in a car parked in direct sunlight.

Cleaning the cabinet

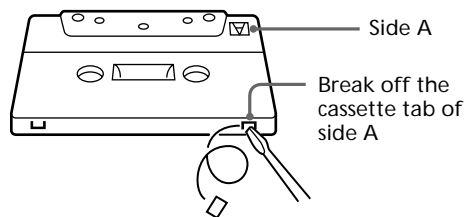
Use a soft cloth slightly moistened with mild detergent solution.

To save a tape permanently

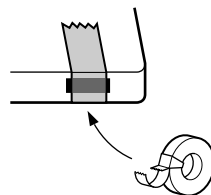
To prevent a tape from being accidentally recorded over, break off the cassette tab from side A or B as illustrated.



Tab of side B Tab of side A



If you later want to reuse the tape for recording, cover the broken tab with adhesive tape.



Before placing a cassette in the tape deck

Take up any slack in the tape. Otherwise the tape may get entangled in the parts of the tape deck and become damaged.

When using a tape longer than 90 minutes

The tape is very elastic. Do not change the tape operations such as play, stop, and fast-winding (etc.) frequently. The tape may get entangled in the tape deck.

Cleaning the tape heads

Clean the tape heads after every 10 hours of use.

When the tape heads become dirty;

- the sound is distorted
- there is a decrease in sound level
- the sound drops out
- the tape does not erase completely
- the tape does not record.

Make sure to clean the tape heads before you start an important recording or after playing an old tape. Use separately sold dry-type or wet-type cleaning cassette. For details, refer to the instructions of the cleaning cassette.

Demagnetizing the tape heads

Demagnetize the tape heads and the metal parts that have contact with the tape every 20 to 30 hours of use with a separately sold demagnetizing cassette. For details, refer to the instructions of the demagnetizing cassette.

Troubleshooting

If you run into any problem using this stereo system, use the following check list.

First, check that the power cord is connected firmly and the speakers are connected correctly and firmly.

Should any problem persist, consult your nearest Sony dealer.

General

The display starts flashing as soon as you plug in the power cord even though you haven't turned on the power (demonstration mode).

- Press DISPLAY once (MHC-DX6AV) or twice (MHC-BX6AV) when the power is turned off. The demonstration disappears.

The demonstration mode appears automatically the first time you plug in the power cord or if there is a power outage lasting longer than half a day.

The clock setting/radio presetting/timer is canceled.

- The power cord is disconnected or a power failure occurs longer than half a day.
Redo the following:
 - “Step 3: Setting the time” on page 9
 - “Step 4: Presetting radio stations” on page 10

If you have set the timer, also redo “Waking up to music” on page 35 and “Timer-recording radio programs” on page 36.

There is no sound.

- Turn VOLUME clockwise.
- The headphones are connected.
- Insert only the stripped portion of the speaker cord into the SPEAKER jack. Inserting the vinyl portion of the speaker cord will obstruct the speaker connections.
- There is no audio output during timer recording.

continued

Troubleshooting (continued)

There is severe hum or noise.

- A TV or VCR is placed too close to the stereo system. Move the stereo system away from the TV or VCR.
-

The sound from the connected source is distorted.

- If “VIDEO” appears in the display when you press MD (VIDEO), switch the display to “MD” (see “Note: Connecting audio components” on page 38).
-

“0:00” (or “12:00 AM”) flashes in the display.

- A power interruption occurred. Set the clock and timer settings again.
-

The timer does not function.

- Set the clock correctly.
-

DAILY 1, DAILY 2, and REC do not appear when you press the CLOCK/TIMER SET button.

- Set the timer correctly.
 - Set the clock.
-

The remote does not function.

- There is an obstacle between the remote and the system.
 - The remote is not pointing in the direction of the system’s sensor.
 - The batteries have run down. Replace the batteries.
-

There is acoustic feedback.

- Decrease the volume level.
 - Move the microphone away from the speakers or change the direction of the microphone.
-

The color irregularity on a TV screen persists.

- Turn off the TV set once, then turn it on after 15 to 30 minutes. If the color irregularity still persists, place the speakers farther away from the TV set.
-

Speakers

Sound comes from one channel or unbalanced left and right volume.

- Check the speaker connection and speaker placement.
-

The sound comes from the center speaker only.

- The source being played back is monaural. Press DOLBY PRO LOGIC to turn off the Pro Logic mode.
-

There is no sound from the center speaker.

- Set the center level to the appropriate level.
-

There is no sound from the rear speakers.

- Set the rear level to the appropriate level.
 - The software being played back has limited sound effects. Check the volume with the test tone.
-

Sound lacks bass.

- Check that the speaker’s + and – jacks are connected correctly.
-

CD Player

The CD tray does not close.

- The CD is not placed properly.
-

The CD will not play.

- The CD is not lying flat in the disc tray.
 - The CD is dirty.
 - The CD is inserted label side down.
 - Moisture condensation has built up. Remove the CD and leave the system turned on for about an hour until the moisture evaporates.
-

Play does not start from the first track.

- The player is in program or shuffle mode. Press PLAY MODE repeatedly until “PROGRAM” or “SHUFFLE” disappear.
-

“OVER” is displayed.

- You have reached the end of the CD. Turn the shuttle counterclockwise until it clicks and hold.
-

Tape Deck

The tape does not record.

- There is no tape in the cassette holder.
- The tab has been removed from the cassette (see “To save a tape permanently” on page 42).
- The tape has reeled to the end.

The tape does not record nor play or there is a decrease in sound level.

- The heads are dirty. Clean them (see “Cleaning the tape heads” on page 43).
- The record/playback heads are magnetized. Demagnetize them (see “Demagnetizing the tape heads” on page 43).

The tape does not erase completely.

- The record/playback heads are magnetized. Demagnetize them (see “Demagnetizing the tape heads” on page 43).

There is excessive wow or flutter, or the sound drops out.

- The capstans or pinch rollers are dirty. Clean them (see “Cleaning the tape heads” on page 43).

Noise increases or the high frequencies are erased.

- The record/playback heads are magnetized. Demagnetize them (see “Demagnetizing the tape heads” on page 43).

After pressing ◀▶ or ⏏, there is a mechanical noise, “EJECT” appears in the display, and the unit enters standby mode automatically.

- The cassette tape was not inserted correctly. Eject the tape and turn the power back on.

Tuner

There is severe hum or noise (“TUNED” or “STEREO” flashes in the display).

- Adjust the antenna.
- The signal strength is too weak. Connect the external antenna.

A stereo FM program cannot be received in stereo.

- Press STEREO/MONO so that “STEREO” appears.

If other troubles not described above occur, reset the system as follows:

- 1 Unplug the power cord.
- 2 Plug the power cord back in.
- 3 Press I/⏏ to turn on the power.
- 4 Press ■, DISC 1 and PLAY MODE at the same time.

The system is reset to the factory settings. All the settings you made, such as the preset stations, clock, and timer are cleared. You should set them again.

Specifications

AUDIO POWER SPECIFICATIONS: (MHC-BX6AV U.S.A. model only)

POWER OUTPUT AND TOTAL HARMONIC DISTORTION:

with 6 ohm loads both channels driven, from 120-10,000 Hz; rates 10 watts per channel minimum RMS power, with no more than 10% total harmonic distortion from 250 milliwatts to rated output.

Amplifier section

MHC-BX6AV

Center Speaker:

Continuous RMS power output (reference)
40 watts
(6 ohms at 1 kHz,
10% THD)

Rear Speaker:

Continuous RMS power output (reference)
40 + 40 watts
(6 ohms at 1 kHz,
10% THD)

Canadian model

MHC-BX6AV

Front Speaker:

Continuous RMS power output (reference)
60 + 60 watts
(6 ohms at 1 kHz,
10% THD)

Total harmonics distortion

Less than 0.07%
(6 ohms at 1 kHz, 30 W)

Center Speaker:

Continuous RMS power output (reference)
40 watts
(6 ohms at 1 kHz,
10% THD)

Rear Speaker:

Continuous RMS power output (reference)
40 + 40 watts
(6 ohms at 1 kHz,
10% THD)

European model

MHC-BX6AV

Front Speaker:

DIN power output (rated) 40 + 40 watts
(6 ohms at 1 kHz, DIN)
Continuous RMS power output (reference)
50 + 50 watts
(6 ohms at 1 kHz,
10% THD)

Music power output (reference)

100 + 100 watts
(6 ohms at 1 kHz,
10% THD)

Center Speaker:

DIN power output (rated) 25 watts
(6 ohms at 1 kHz, DIN)
Continuous RMS power output (reference)
35 watts
(6 ohms at 1 kHz,
10% THD)

Music power output (reference)

70 watts
(6 ohms at 1 kHz,
10% THD)

Rear Speaker:

DIN power output (rated) 25 + 25 watts
(6 ohms at 1 kHz, DIN)
Continuous RMS power output (reference)
35 + 35 watts
(6 ohms at 1 kHz,
10% THD)

Music power output (reference)

70 + 70 watts
(6 ohms at 1 kHz,
10% THD)

Other models:

MHC-DX6AV

The following measured at AC 120/240 V,
50/60 Hz

Front Speaker:

DIN power output (rated) 45 + 45 watts
(6 ohms at 1 kHz, DIN)
Continuous RMS power output (reference)
60 + 60 watts
(6 ohms at 1 kHz,
10% THD)

Center Speaker:

DIN power output (rated) 30 watts
(6 ohms at 1 kHz, DIN)
Continuous RMS power output (reference)
40 watts
(8 ohms at 1 kHz,
10% THD)

Rear Speaker:

DIN power output (rated) 30 + 30 watts
(6 ohms at 1 kHz, DIN)
Continuous RMS power output (reference)
40 + 40 watts
(6 ohms at 1 kHz,
10% THD)

Inputs	
MD/VIDEO IN: (phono jacks) DVD INPUT:	voltage 250/450 mV, impedance 47 kilohms
FRONT IN: (phono jacks)	voltage 450 mV, impedance 47 kilohms
REAR IN: (phono jacks)	voltage 450 mV, impedance 47 kilohms
CENTER IN: (phono jacks)	voltage 450 mV, impedance 47 kilohms
WOOFER IN: (phono jacks)	voltage 450 mV, impedance 47 kilohms

Outputs	
PHONES: (stereo mini jack)	accepts headphones of 8 ohms or more
FRONT SPEAKER:	accepts impedance of 6 to 16 ohms
REAR SPEAKER:	accepts impedance of 6 to 16 ohms
CENTER SPEAKER:	accepts impedance of 6 to 16 ohms
WOOFER:	Voltage 1 V, impedance 1 kilohms

CD player section

System	Compact disc and digital audio system
Laser	Semiconductor laser ($\lambda=780\text{nm}$) Emission duration: continuous
Laser output	Max. 44.6 μW^* *This output is the value measured at a distance of 200 mm from the objective lens surface on the Optical Pick-up Block with 7 mm aperture.
Wavelength	780 – 790 nm
Frequency response	20 Hz – 20 kHz (± 0.5 dB)
Signal-to-noise ratio	More than 90 dB
Dynamic range	More than 90 dB
CD OPTICAL DIGITAL OUT (Square optical connector jack, rear panel)	
Wavelength	660 nm
Output Level	-18 dBm

Tape player section

Recording system	4-track 2-channel stereo
Frequency response	40 – 13,000 Hz (± 3 dB), using Sony TYPE I cassette
Wow and flutter	$\pm 0.15\%$ W.Peak (IEC) 0.1% W.RMS (NAB) $\pm 0.2\%$ W.Peak (DIN)

Tuner section

FM stereo, FM/AM superheterodyne tuner

FM tuner section

Tuning range	87.5 – 108.0 MHz
Antenna	FM lead antenna
Antenna terminals	75 ohm unbalanced
Intermediate frequency	10.7 MHz

AM tuner section

Tuning range	
Pan-American model:	530 – 1,710 kHz (with the interval set at 10 kHz)
	531 – 1,710 kHz (with the interval set at 9 kHz)

European and Middle Eastern models:	531 – 1,602 kHz (with the interval set at 9 kHz)
-------------------------------------	--

Other models:	531 – 1,602 kHz (with the interval set at 9 kHz) 530 – 1,710 kHz (with the interval set at 10 kHz)
---------------	---

Antenna	AM loop antenna
Antenna terminals	External antenna terminal
Intermediate frequency	450 kHz

continued

Specifications (continued)

Speaker

Front speaker

North American model:

SS-BX6AV for MHC-BX6AV:

Speaker system	2-way, bass-reflex type, magnetically shielded type
Speaker units	
Woofer:	14 cm, cone type
Tweeter:	5 cm, cone type
Nominal impedance	6 ohms
Dimensions (w/h/d)	Approx. 220 x 325 x 230 mm
Mass	Approx. 3.4 kg net per speaker

European model:

SS-BX6AV for MHC-BX6AV:

Speaker system	2-way, bass-reflex type, magnetically shielded type
Speaker units	
Woofer:	14 cm, cone type
Tweeter:	5 cm, cone type
Nominal impedance	6 ohms
Dimensions (w/h/d)	Approx. 220 x 325 x 252 mm
Mass	Approx. 3.6 kg net per speaker

Other models:

SS-DX6AV for MHC-DX6AV:

Speaker system	2-way, bass-reflex type, magnetically shielded type
Speaker units	
Woofer:	14 cm, cone type
Tweeter:	5 cm, cone type
Nominal impedance	6 ohms
Dimensions (w/h/d)	Approx. 220 x 325 x 252 mm
Mass	Approx. 3.6 kg net per speaker

Rear Surround Speaker (SS-RS106)

Speaker system	1-way, 1-unit, bass-reflex type
Speaker units	
Full-range:	10 cm, cone type
Nominal impedance	6 ohms
Dimensions (w/h/d)	Approx. 120 x 175 x 140 mm
Mass	Approx. 0.8 kg net per speaker

Center Surround Speaker (SS-CT106)

Speaker system	1-way, 1-unit, bass-reflex type, magnetically shielded type
Speaker units	
Full-range:	10 cm, cone type
Nominal impedance	6 ohms
Dimensions (w/h/d)	Approx. 280 x 120 x 140 mm
Mass	Approx. 1.3 kg net

For the customers in Canada

Use only the supplied SS-RS106 rear surround speaker for connection to the REAR SPEAKER connector, the supplied SS-CT106 center surround speaker for connection to the CENTER SPEAKER connector on the MHC-BX6AV.

General

Power requirements

North American model:	120 V AC, 60 Hz
European model:	230 V AC, 50/60 Hz
Australian model:	220 – 240 V AC, 50/60 Hz
Mexican model:	120 V AC, 60 Hz
Other models:	110 – 120 V or 220 – 240 V AC, 50/60 Hz
	Adjustable with voltage selector

Power consumption

U.S.A. model:	
MHC-BX6AV:	160 watts
Canadian model:	
MHC-BX6AV:	180 watts
European model:	
MHC-BX6AV:	160 watts
Other models:	
MHC-DX6AV:	160 watts

Dimensions (w/h/d)

MHC-BX6AV/DX6AV:	Approx. 280 x 325 x 390 mm
------------------	----------------------------

Mass

U.S.A. model:	
MHC-BX6AV:	Approx. 9.2 kg
Canadian model:	
MHC-BX6AV:	Approx. 9.2 kg
European model:	
MHC-BX6AV:	Approx. 9.2 kg
Other model:	
MHC-DX6AV:	Approx. 9.1 kg

Supplied accessories:

AM loop antenna (1)
FM lead antenna (1)
Remote Commander (1)
Speaker cords (2)
Center speaker pads (4)

Design and specifications are subject to change without notice.

Index

A

Adjusting
 the sound 29
 the volume 8, 14, 17, 19
Antennas 5, 40

B

Batteries 6

C

CD player 13, 21-25
CD Synchro Recording 15
Clock setting 9
Connecting 4-6, 37-41

D

Daily timer 35
Display 21

E, F, G

Edit 27, 28

H, I, J, K, L, M

Hooking up
 optional components
 37-41
 the antennas 5, 40
 the power 6
 the speakers 7
 the system 4

N, O

Normal Play 13

P, Q

Playing
 a CD 13
 a preset station 16
 a tape 18
 tracks in random order
 (Shuffle Play) 23
 tracks in the desired
 order (Program Play) 24
 tracks repeatedly
 (Repeat Play) 22
Presetting radio stations 10
Preset tuning 16
Program Edit 27
Program Play 24
Protecting recordings 42
PTY 32

R

Radio Data System 32
Radio stations
 presetting 10
 tuning in 16
Recording
 a CD 15
 a radio program 17
 timer-recording 36
Repeat Play 22
Resetting the system 45

S

Saving recordings 42
Selecting the audio emphasis
 29
Setting the time 9
Shuffle Play 23
Sleep Timer 34
Sound adjustment 29
Speakers 7
Station name 32

T, U, V, W, X, Y, Z

Tape Select Edit 28
Timer
 falling asleep to music
 34
 timer-recording 36
 waking up to music 35
Troubleshooting 43-45
Tuner 10, 16, 32-34
Tuning interval 11