

# AC Adaptor/Charger

## Adaptateur/Chargeur CA

## 電源供應器/充電器

## 电源适配器 / 充电器

## Operating Instructions

## Mode d'emploi

## 使用説明書

## 使用说明书

## 사용설명서



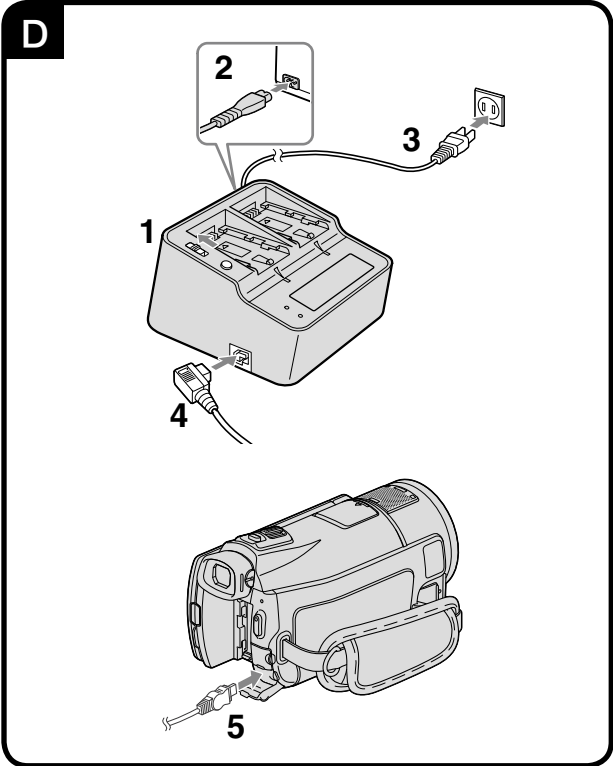
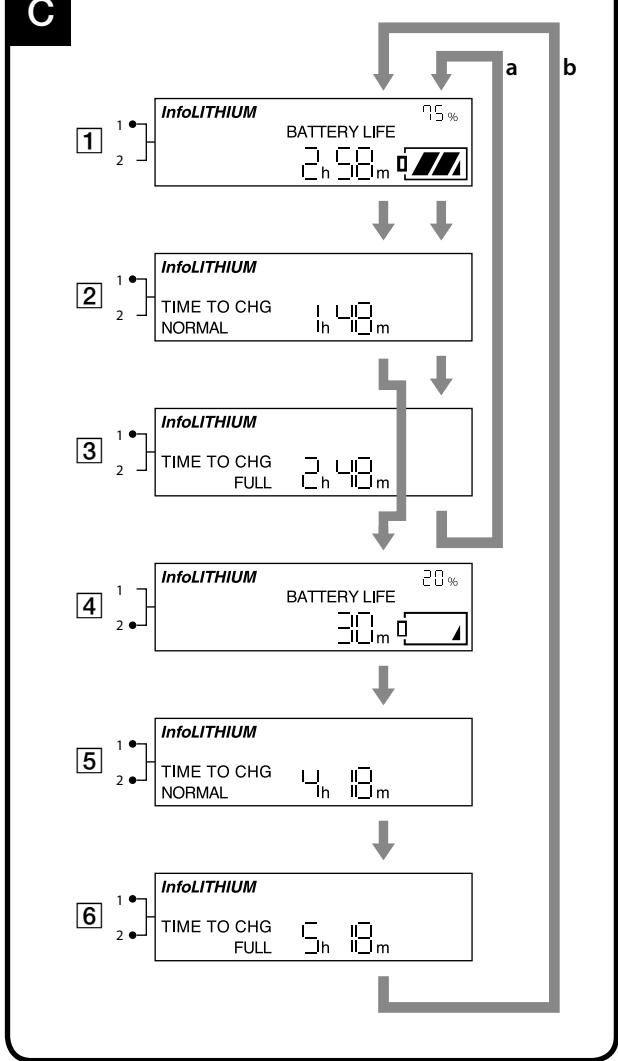
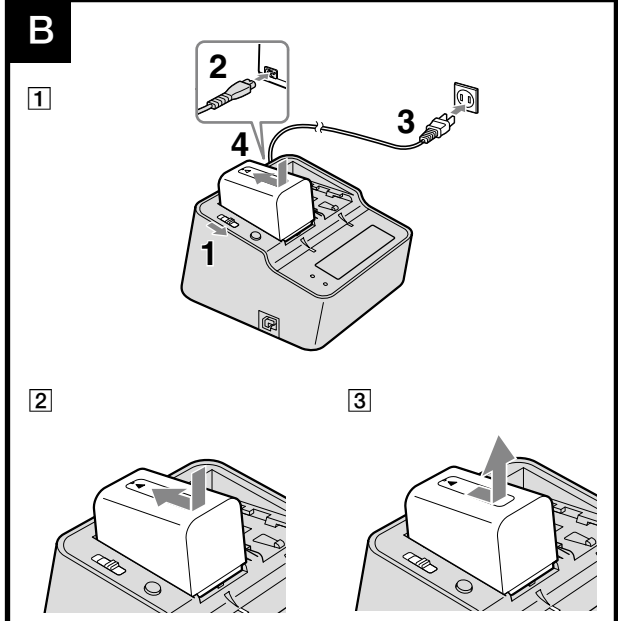
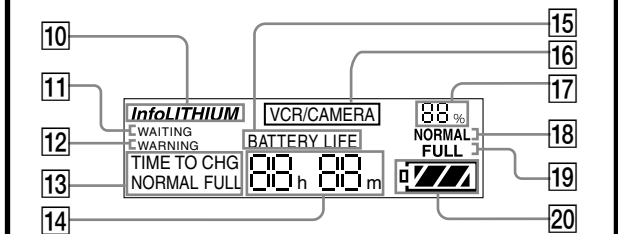
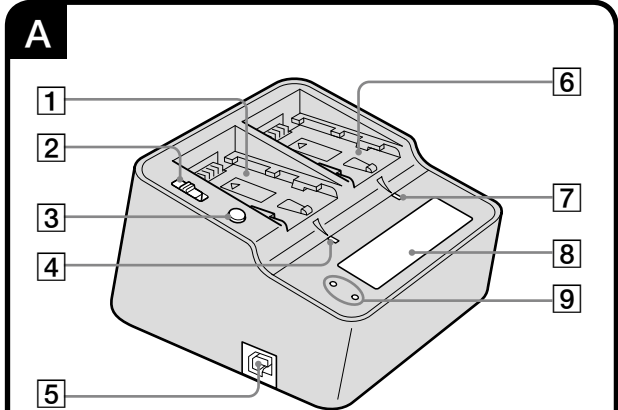
## AC-VQV10

© 2010 Sony Corporation Printed in China

http://www.sony.net/



4289688120



## English

Thank you for purchasing the Sony AC Adaptor/Charger.

Before operating the unit, please read this manual thoroughly and retain it for future reference.

## Identifying the parts

1 Slot <b>Ⓐ</b>	See illustration <b>A</b> .
2 <b>Mode switch</b>	
3 <b>DISPLAY change button</b>	
4 <b>CHARGE lamp</b> <b>Ⓒ</b>	
5 <b>DC OUT connector</b>	
6 <b>Slot 2</b>	
7 <b>CHARGE lamp</b> <b>Ⓒ</b>	
8 <b>Display window</b>	
9 <b>Slot indicator lamp</b>	
10 <b>InfoLITHIUM</b> <b>Ⓚ</b>	
11 <b>VCR/CAMERA</b>	
12 <b>TIME TO CHG</b> <b>Ⓛ</b>	
13 <b>NORMAL</b>	
14 <b>FULL</b>	
15 <b>BATTERY LIFE</b>	
16 <b>INFO LITHIUM</b>	
17 <b>WAITING</b>	
18 <b>WARNING</b>	
19 <b>TIME TO CHG (charge) indicator</b>	
20 <b>BATTERY LIFE indicator</b>	

## The AC-VQV10 AC Adaptor/Charger can be used as follows

- For operating Sony equipment (video cameras etc.) using the connection cords included with this unit.
- For charging Sony rechargeable battery packs (V series, H series, P series). The following functions are available when charging an "InfoLITHIUM" battery pack. With an "ActiFORCE" battery pack, even more advanced control is possible.
  - Quick charging (Faster than charging with your video camera, etc.)
  - Approximate charging time and battery life can be displayed.

- For charging lithium ion battery packs. Cannot be used to recharge Ni-Cd or Ni-MH batteries.
- Cannot be used with some model video cameras or other equipment. Confirm the compatibility of your equipment before use.

## What is "InfoLITHIUM"?

"InfoLITHIUM" is a lithium ion battery pack which can exchange data on battery consumption with compatible electronic equipment. We recommend that you use an "InfoLITHIUM" battery pack (V series, H series, P series) with electronic equipment that has the **InfoLITHIUM** mark.

"InfoLITHIUM" is a trademark of Sony Corporation.

## What is "ActiFORCE"?

"ActiFORCE" is the function name for next generation power systems. "ActiFORCE" has higher capacity, quicker recharge, and faster and more accurate calculation of remaining battery capacity compared to our existing "InfoLITHIUM" battery pack P series power system.

"ActiFORCE" is a trademark of Sony Corporation.

## Notes on the BATTERY LIFE indicator and the Battery remaining % indication (Read carefully before use)

While charging the battery pack, this unit shows the battery life and the remaining battery capacity if used with your video camera, etc. so long as the following conditions are met.

- You are using an "InfoLITHIUM" battery pack.
- You are using a video camera, etc. with the **InfoLITHIUM** mark. Check the battery pack has the **InfoLITHIUM** mark. Check in the operating instructions supplied with your video equipment whether it is "InfoLITHIUM" compatible.

If you use the battery pack with more than one video camera, etc. with the **InfoLITHIUM** mark, the remaining battery time shown is if using with the equipment last attached to the battery pack.

## Compensation for Recorded Content

Sony will not provide compensation for any failure to record or play back images, sound or other content due to a malfunction of the battery pack or AC adaptor/charger.

## To Operate Video Equipment

For details of connection, refer to the operating instructions of the video camera etc.

- Set the mode switch to VCR/CAMERA.
- Connect the AC power cord to this unit.
- Connect the AC power cord to a wall outlet. There is a beep and the display window comes on.
- Connect the connecting cord to the DC OUT connector of this unit.
- Connect the connecting cord to the video camera. For the direction in which to fit the connecting cord, refer to the operating instructions of video camera.

- Setting the mode switch to CHARGE while operating the video camera etc. cuts the power supply to the video camera.
- You cannot charge a battery pack installed in this unit when this unit is in VCR/CAMERA mode.
- Keep this unit away from your video camera etc. if the image is distorted.
- The illustration shows connection to an HDR-CX550V digital HD video camera recorder.
- Unplug this unit from the wall outlet after use. To disconnect the cord, pull it out by the plug. Never pull the cord itself.

## To Charge the Battery Pack

Also refer to the operating instructions of your device (video camera etc.) and battery pack.

- Set the mode switch to CHARGE.
- Connect the AC power cord to this unit.
- Connect the AC power cord to a wall outlet. There is a beep and the display window comes on.
- Insert the battery pack. Refer to "To install the battery pack". When charging starts, the battery lamp in the display window blinks in sequence and the CHARGE lamp lights up.

**When charging is complete, remove the battery pack.** There are two levels of charge completion: "Normal charge" and "Full charge".

- Normal charge
- |  |        |
|--|--------|
|  | NORMAL |
|--|--------|

- Full charge
- |  |      |
|--|------|
|  | FULL |
|--|------|
- If you continue to charge after normal charging is complete until the battery mark shows "FULL", the battery pack can be used slightly longer than when in the normal charge state.

Refer to "To remove the battery pack" when removing the battery pack.

## Installing two battery packs simultaneously

You can install two battery packs in this unit at the same time. Charging starts with the battery pack installed in Slot **Ⓐ**. When two battery packs are installed but not simultaneously, charging starts with the battery pack installed first regardless of whether it is in Slot **Ⓐ** or **Ⓑ**.

**Note** This unit can be installed with two battery packs but cannot charge both simultaneously.

## To install the battery pack

- Place the battery pack on this unit with the **Ⓐ** mark facing the terminal.
- Slide the battery pack in the direction of the arrow.

## To remove the battery pack

Slide the battery pack in the direction of the arrow and lift it straight out.

## Notes

- Do not pick up this unit by holding the battery pack.
- Be particularly careful not to hit the battery pack when installing it.
- Be careful not to pinch your fingers while installing or removing the battery pack.

## Charging time

The following tables show the charging time for a main battery pack that has been completely discharged.

"InfoLITHIUM" battery pack V series			
	NP-FV100	NP-FV70	NP-FV50
Normal charge	125 min	70 min	55 min
Full charge	185 min	130 min	115 min

"InfoLITHIUM" battery pack H series			
	NP-FH100	NP-FH70	NP-FH50
Normal charge	130 min	65 min	55 min
Full charge	190 min	125 min	115 min

"InfoLITHIUM" battery pack P series			
	NP-PP90	NP-PP71	NP-PP50
Normal charge	115 min	80 min	65 min
Full charge	175 min	140 min	125 min

- The charging time may differ depending on the condition of the battery pack and the ambient temperature.
- The times shown are for charging an empty battery pack which has been run down with a video camera etc., using this unit at an ambient temperature of 25 °C (77 °F).

## To use the battery pack quickly

You can use the battery pack even if you remove it from this unit before charging is completed. However, a shorter charging time means a shorter useable time.

## Charging time and "10-minute charging/ approx. 55-minute recording"

The times shown are the approximate continuous recording times at an ambient temperature of 25 °C (77 °F) when using an NP-FV70 as a rechargeable battery pack (sold separately) and a video camera that has a power consumption of 1.8W when used without its LCD display. This is when using a battery pack immediately after running it down with a video camera. It does not include a battery pack that has deteriorated, for example because it has not been used for a long time. There are two kinds of charging, normal charge and full charge. Generally, the charging time and available recording time vary depending on the battery pack and conditions of use.

## Notes

- If the mode switch is set to VCR/CAMERA during charging, charging stops.
- If the CHARGE lamp does not light up or blink, check that the battery pack is correctly attached to the AC Adaptor/Charger. If it is not correctly attached, it will not be charged.
- If anything goes wrong during charging, the charge lamp blinks and "WARNING" appears on the display. For details, see "Troubleshooting".

## To Check Charging

When charging starts, the battery life or the battery remaining % indication\* lights up in the display window (\*when using the battery pack V series). The battery life displayed is the approximate time remaining for recording using the viewfinder. The battery life is shorter if the LCD display is used. The battery life may not be displayed with certain video cameras. For details, refer to "Notes on the BATTERY LIFE indicator and the Battery remaining % indication".

**Press DISPLAY during charging.** During charging, the contents of the display window change each time you press the DISPLAY change button. The slot indicator lamp shows the slot number for the battery information displayed.

- A battery pack installed in Slot **Ⓐ** only
  - Two battery packs installed in Slot **Ⓐ** and Slot **Ⓑ**
- When two battery packs are installed simultaneously, the time display of the battery pack not being charged returns automatically after about 10 seconds to the time display of the battery pack being charged. Here is an example of installing a battery pack in Slot **Ⓐ** followed by another in Slot **Ⓑ**. The slot indicator lamp corresponds to the slot number.

- Battery life if the first installed battery pack is installed in your "InfoLITHIUM" electronic equipment.**
- Remaining time until normal charging of the first installed battery pack is complete.**  
The normal charge time is not displayed after full charging is complete.
- Remaining time until full charging of the first installed battery pack is complete.**  
The full charge time is not displayed after full charging is complete. This is not displayed when two battery packs are installed simultaneously.
- Battery life if the last installed battery pack is installed in your "InfoLITHIUM" electronic equipment.**
- Remaining time until normal charging of the last installed battery pack is complete.**  
The normal charge time is not displayed after full charging is complete.
- Remaining time until full charging of the last installed battery pack is complete.**  
The full charge time is not displayed after full charging is complete.

- Notes**
- The time display or the remaining battery capacity when charging at 25 °C (77 °F) are approximate. They may differ from the actual time and remaining battery capacity depending on the environment of use.
- It may take some time after pressing DISPLAY for the time to be displayed.
- The time display of the battery pack on the side not being charged may take some time to appear.
- The time display of the battery life of a new battery pack, first install it in your video camera recorder and use it for about 20 seconds, and then charge it with this unit.
- If you install a fully charged battery pack in this unit, "TIME TO CHG FULL 1h" may appear on the display. This is not a malfunction.

- The time display may show "----" in the following cases.
  - It is not a malfunction.
  - There is a difference between the time display and actual charging time. Even if this happens, continue charging.
  - When charging a battery other than an "InfoLITHIUM" battery pack (Battery life display and other functions are not available.)
- In the following cases, there may be some deviation in the time display. This is not a malfunction.
  - If the battery pack is removed from this unit after normal charge is finished but before full charge is finished. (It takes about one hour from normal charge to complete to when full charge is complete.)
  - When charging a battery pack that has not been used for a long time. (Fully charge once first.)
- When charging a P series "InfoLITHIUM" battery pack, it may take about one minute after installing the battery pack for the time to appear in the display window.
- Full charging requires about one hour after normal charging is complete.
- When charging a battery pack that has not been used for a long time, the displayed battery life and full charge time sometimes differ from the actual times. This is not a malfunction. If this happens, fully charge the battery pack. The correct times can then be displayed.

## Troubleshooting

Symptom	Cause/Solution
Video equipment does not work	<ul style="list-style-type: none"><li>The power plug is disconnected from the wall outlet.<ul style="list-style-type: none"><li>→ Insert into a wall outlet.</li></ul></li><li>The connector cable is not properly connected.<ul style="list-style-type: none"><li>→ Connect properly.</li></ul></li><li>The mode switch is set to CHARGE.<ul style="list-style-type: none"><li>→ Set the mode switch to VCR/CAMERA.</li></ul></li><li>The mode switch is set to VCR/CAMERA.<ul style="list-style-type: none"><li>→ Set the mode switch to CHARGE.</li></ul></li></ul>
The battery pack is not charged	<ul style="list-style-type: none"><li>The mode switch is set to CHARGE.</li></ul>

Power immediately turns off even though there is sufficient battery life, or the displayed battery life differs from the actual battery life

The display is not changed

Refer to "Notes on the BATTERY LIFE indicator and the Battery remaining % indication".

Quick charging is not performed

- The temperature of the battery pack is too high or too low.
  - The display shown below may appear if a battery pack with a high or low temperature is attached, or if charging is performed at a lower temperature than the recommended charging temperature range of 10 °C to 30 °C. Although charging can still be performed in these cases, quick charging is not performed in order to protect the battery pack.

When the CHARGE lamp blinks, read the following and take suitable action depending on how the CHARGE lamp blinks. **The CHARGE lamp blinks in the following two ways.** **Blinks quickly:** Turns on and off repeatedly every 0.15 seconds **Blinks slowly:** Turns on and off repeatedly every 1.5 seconds

--	--

When the CHARGE lamp keeps blinking quickly and "WARNING" is displayed in the display window.

- When the CHARGE lamp keeps blinking quickly and "WARNING" is displayed in the display window.
  - Charging is temporarily stopped. This unit is in the standby state.
  - If the room temperature or the battery temperature is out of the appropriate temperature range, charging stops automatically.
  - When the room temperature returns to the appropriate range, the CHARGE lamp lights up and charging restarts.
  - When the room temperature returns to the appropriate range, the CHARGE lamp lights up and charging restarts. We recommend charging the battery pack at 10 °C to 30 °C (50 °F to 86 °F).

When the CHARGE lamp blinks quickly and "WARNING" is displayed in the display window.

- When the CHARGE lamp blinks quickly and "WARNING" is displayed in the display window.
  - Charging is temporarily stopped. This unit is in the standby state.
  - If the room temperature or the battery temperature is out of the appropriate temperature range, charging stops automatically.
  - When the room temperature returns to the appropriate range, the CHARGE lamp lights up and charging restarts.
  - When the room temperature returns to the appropriate range, the CHARGE lamp lights up and charging restarts. We recommend charging the battery pack at 10 °C to 30 °C (50 °F to 86 °F).

--	--

When the CHARGE lamp keeps blinking quickly and "WARNING" is displayed in the display window.

- When the CHARGE lamp keeps blinking quickly and "WARNING" is displayed in the display window.
  - Charging is temporarily stopped. This unit is in the standby state.
  - If the room temperature or the battery temperature is out of the appropriate temperature range, charging stops automatically.
  - When the room temperature returns to the appropriate range, the CHARGE lamp lights up and charging restarts.
  - When the room temperature returns to the appropriate range, the CHARGE lamp lights up and charging restarts. We recommend charging the battery pack at 10 °C to 30 °C (50 °F to 86 °F).

When the CHARGE lamp keeps blinking quickly and "WARNING" is displayed in the display window.

- When the CHARGE lamp keeps blinking quickly and "WARNING" is displayed in the display window.
  - Charging is temporarily stopped. This unit is in the standby state.
  - If the room temperature or the battery temperature is out of the appropriate temperature range, charging stops automatically.
  - When the room temperature returns to the appropriate range, the CHARGE lamp lights up and charging restarts.
  - When the room temperature returns to the appropriate range, the CHARGE lamp lights up and charging restarts. We recommend charging the battery pack at 10 °C to 30 °C (50 °F to 86 °F).

When the CHARGE lamp keeps blinking quickly and "WARNING" is displayed in the display window.

- When the CHARGE lamp keeps blinking quickly and "WARNING" is displayed in the display window.
  - Charging is temporarily stopped. This unit is in the standby state.
  - If the room temperature or the battery temperature is out of the appropriate temperature range, charging stops automatically.
  - When the room temperature returns to the appropriate range, the CHARGE lamp lights up and charging restarts.
  - When the room temperature returns to the appropriate range, the CHARGE lamp lights up and charging restarts. We recommend charging the battery pack at 10 °C to 30 °C (50 °F to 86 °F).

Remove the battery pack from this unit and then reinstall it.

**The CHARGE lamp blinks again:** Install another battery pack.

**The CHARGE lamp lights up and does not blink again:** If the CHARGE lamp goes out because the charging time has passed, there is no problem.

**The CHARGE lamp blinks again:** The problem is with this unit.

**The CHARGE lamp lights up and does not blink again:** If the CHARGE lamp goes out because the charging time has passed, the problem is with the battery pack first installed.

Please contact your nearest Sony dealer regarding a product that may have a problem.

## Specifications

AC-VQV10	
Input	100 V - 240 V AC 50 Hz/60 Hz 26 W
Output	8.4 V DC 1.7 A (VCR) 8.4 V DC 2.2 A (BATT)
Operating temperature	0 °C to 40 °C (32 °F to 104 °F)
Storage temperature	-20 °C to +60 °C (-4 °F to +140 °F)
Dimensions (Approx.)	100 mm × 67 mm × 111 mm (w/h/d) (excluding the projecting parts)
Mass	Approx. 330 g (11.7 oz)

Included items

- AC Adaptor/Charger (AC-VQV10) (1)
- AC Power cord (1)
- Connecting cord (DK-225) (1)
- Set of printed documentation

Design and specifications are subject to change without notice.

**Note** Use a commercially available AC plug Adaptor (not supplied), if necessary, depending on the design of the wall outlet.

This unit supports worldwide voltages 100 V to 240 V. Do not use an electronic voltage transformer, as this may cause a malfunction.

## Français

Merci pour l'achat de cet adaptateur / chargeur CA Sony.

Avant d'utiliser cet appareil, veuillez lire attentivement ce manuel et le conserver pour toute référence future.

## Identification des éléments

Voir l'illustration **A**.

1 <b>Logement</b> <b>Ⓐ</b>	
2 <b>Sélecteur de mode</b>	
3 <b>Touche de changement DISPLAY</b>	
4 <b>Témoin CHARGE</b> <b>Ⓒ</b>	
5 <b>Prise DC OUT</b>	
6 <b>Logement 2</b>	
7 <b>BATTERY CHARGE</b> <b>Ⓒ</b>	
8 <b>Aficheur</b>	
9 <b>Témoin de logement</b>	
10 <b>Indicateur « InfoLITHIUM »</b>	
11 <b>Indicateur WARNING</b>	
12 <b>Indicateur WAITING</b>	
13 <b>Indicateur TIME TO CHG (charge)</b>	
14 <b>Indicateur de temps</b>	
15 <b>Indicateur BATTERY LIFE</b>	
16 <b>Indicateur VCR/CAMERA</b>	
17 <b>Indication en % de la capacité restante</b>	
18 <b>Indicateur de charge normale</b>	
19 <b>Indicateur de charge complète</b>	
20 <b>Indicateur d'autonomie de la batterie</b>	

## L'adaptateur / chargeur CA AC-VQV10 peut être utilisé de la façon suivante

- Pour faire fonctionner un appareil Sony (caméscopes, etc.) avec les cordons de liaison fournis avec cet appareil.
- Pour charger des batteries rechargeables Sony (série V, série H, série P). Les fonctions suivantes sont disponibles lors de la charge d'une batterie « InfoLITHIUM ». Avec une batterie « ActiFORCE », un contrôle encore plus précis est possible.
  - Charge rapide (Plus rapide que la charge avec votre caméscope, etc.)
  - Les temps de charge et l'autonomie approximatifs sont indiqués.

- Pour la charge de batteries lithium-ion. Ne peut pas être utilisé pour charger des batteries Ni-Cd ou Ni-MH.
- Ne peut pas être utilisé avec certains modèles de caméscopes et certains appareils. Assurez-vous de la compatibilité de votre appareil avant usage.

## Que désigne « InfoLITHIUM »?

« InfoLITHIUM » désigne une batterie qui peut échanger des données sur la consommation d'énergie avec un appareil électronique compatible. Il est conseillé d'utiliser une batterie « InfoLITHIUM » (série V, série H, série P) avec un appareil électronique portant la marque **InfoLITHIUM**.

« InfoLITHIUM » est une marque commerciale de Sony Corporation.

## Que désigne « ActiFORCE »?

« ActiFORCE » désigne une fonction des nouveaux systèmes d'alimentation. « ActiFORCE » a une plus grande capacité, une charge plus rapide et un calcul plus rapide et plus précis de la capacité restante de la batterie par rapport au système d'alimentation de nos batteries « InfoLITHIUM », série P.

« ActiFORCE » est une marque commerciale de Sony Corporation.

## Remarques sur l'indicateur BATTERY LIFE et sur l'indication en % de la capacité restante de la batterie (Lire avec attention avant utilisation)

- Lorsque vous chargez la batterie, cet appareil montre l'autonomie de la batterie et la capacité restante lorsque la batterie est utilisée avec votre caméscope, etc. dans la mesure où les conditions suivantes sont remplies.
  - Vous utilisez une batterie « InfoLITHIUM ».
  - Vous utilisez un caméscope, etc. avec la marque **InfoLITHIUM**. Assurez-vous que la batterie porte la marque **InfoLITHIUM**. Vérifiez dans le mode d'emploi fourni avec votre appareil vidéo si celui-ci est compatible « InfoLITHIUM ».
- Si vous utilisez la batterie avec une autre caméra, etc. portant la marque **InfoLITHIUM**, le temps de batterie restant indiqué correspond à celui de la batterie rattachée au dernier appareil utilisé.

## Démontage concernant les enregistrements

Sony n'accorde aucun démontage pour les absences d'enregistrement ou de lecture d'images, de son ou d'autres contenus résultant d'une défectuosité de la batterie ou de l'adaptateur / chargeur CA.

## Pour faire fonctionner un appareil vidéo

Pour le détail sur la liaison, reportez-vous au mode d'emploi du caméscope, etc.

- Réglez le sélecteur de mode sur VCR/CAMERA.
- Raccordez le cordon d'alimentation secteur à cet appareil.
- Raccordez le cordon d'alimentation secteur à une prise murale. Un bip retentit et l'affichage apparaît.
- Raccordez le cordon de liaison à la prise DC OUT de cet appareil.
- Raccordez le cordon de liaison au caméscope. Pour le sens d'insertion du cordon de liaison, reportez-vous au mode d'emploi du caméscope, etc.

## Remarques

- Régalez du sélecteur de mode sur CHARGE pendant le fonctionnement du caméscope, etc. a pour effet de couper l'alimentation du caméscope.
- Vous ne pouvez pas charger la batterie installée sur cet appareil lorsque celui-ci est en mode VCR/CAMERA.
- Gardez cet appareil à l'écart du caméscope, etc. si l'image est déformée.
- L'illustration montre le raccordement d'un Caméscope numérique HD HDR-CX350V.
- Débranchez cet appareil de la prise murale après utilisation. Pour débrancher le cordon, tirez sur la fiche. Ne tirez jamais sur le cordon proprement dit.

## Pour charger la batterie

Reportez-vous aussi au mode d'emploi de votre appareil (caméscope, etc.) et de la batterie.

- Réglez le sélecteur de mode sur CHARGE.
- Raccordez le cordon d'alimentation secteur à cet appareil. Un bip retentit et l'affichage apparaît.
- Installez la batterie. Reportez-vous à « Pour installer la batterie ». Lorsque la charge commence, le symbole de la batterie dans l'afficheur clignote et le témoin CHARGE s'allume.
- Lorsque la charge est terminée, retirez la batterie. Il y a deux niveaux de fin de charge : « Charge normale » et « Charge complète ».
  - Charge normale
    - Lorsque la charge est terminée, le symbole de batterie apparaît de la façon illustrée à droite.
  - Charge complète
    - Si vous continuez de charger la batterie à la fin d'une charge normale jusqu'à ce que le symbole de batterie indique « FULL », la batterie pourra être utilisée un peu plus longtemps que lorsqu'elle est chargée normalement.

Reportez-vous à « Pour retirer la batterie » lorsque vous voulez retirer la batterie.

## Installation simultanée de deux batteries

Vous pouvez installer deux batteries en même temps dans cet appareil. La charge commence par la batterie installée dans le logement **Ⓐ**. Si deux batteries sont installées mais pas simultanément, la charge commence par la première batterie installée, que ce soit dans le logement **Ⓐ** ou le logement **Ⓑ**.

## Remarques

Cet appareil peut contenir deux batteries en même temps mais ne peut pas les charger simultanément.

## Pour installer la batterie

- Placez la batterie sur cet appareil avec le repère **Ⓐ** du côté de la borne.
- Faites glisser la batterie dans le sens de la flèche.

## Pour retirer la batterie

Faites glisser la batterie dans le sens de la flèche et levez-la tout droit.

-



<b>中文(繁體)</b>	"InfoLITHIUM"電池 P 系列
感謝您購買 Sony 電源供應器／充電器。	
操作本產品前，請詳閱本手冊並妥善保管以備將來參考。	

## 零件識別

<b>1</b> 插播 ①	<b>顯示螢幕</b>	●參見圖 <b>A</b>
<b>2</b> 模式變更開關	⑩ "InfoLITHIUM"指示器	
<b>3</b> DISPLAY 變更按鈕	⑪ WAITING 指示器	
<b>4</b> CHARGE 指示燈 ④	⑫ WARNING 指示器	
<b>5</b> DC OUT 接頭	⑬ TIME TO CHG (充電)指示器	
<b>6</b> VCR/CAMERA 指示燈 ⑥	⑭ 時間指示器	
<b>7</b> CHARGE 指示燈 ⑥	⑮ 電池壽命指示器	
<b>8</b> 顯示螢幕	⑯ VCR/CAMERA 指示器	
<b>9</b> 攝播指示燈	⑰ 電池剩餘電量 % 指示器	
	⑱ 一般充電指示器	
	⑲ 完全充電指示器	
	⑳ 電池壽命指示器	

## AC-VQV10 電源供應器／充電器的使用方式如下

- 在操作 Sony 的設備 (攝影機等) 時，請使用本產品隨附的連接線。
- 適用於充電 Sony 製的充電電池 (V、H、P 系列)。將 "InfoLITHIUM" 電池充電時，可使用以下功能，若使用 "ActiFORCE" 電池，可獲得更多的進階控制選擇。
  - 快速充電 (比將攝影機等設備充電更快速。

將顯示螢幕的充電時間與電池壽命。
- 適用於充電 Sony 製的充電電池 (V、H、P 系列)。將 "InfoLITHIUM" 電池充電時，可使用以下功能，若使用 "ActiFORCE" 電池，可獲得更多的進階控制選擇。
  - 快速充電 (比將攝影機等設備充電更快速。

將顯示螢幕的充電時間與電池壽命。
- 適用於充電鋰離子電池。不適用於於 Ni-Cd 或 Ni-MH 電池重新充電。
- 不適用於於某些機型的攝影機或其他設備充電。使用前，請確認設備的相容性。

<b>什麼是 "InfoLITHIUM" 相容</b>	
"InfoLITHIUM" 是一種能夠相容於電子設備交換電量資料的鋰離子電池。建議您在具有 <b>① InfoLITHIUM</b> 的電子設備中使用 "InfoLITHIUM" 電池 (V、H、P 系列)。	

"InfoLITHIUM" 為 Sony Corporation 的商標。

什麼是 "ActiFORCE" ？
"ActiFORCE" 為新一代電力系統的功能名稱。相較於目前的 "InfoLITHIUM" 電池 P 系列電力系統，"ActiFORCE" 具有更高的容量、更快的充電速度，且能更準確、迅速計算出剩餘電量。

"ActiFORCE" 為 Sony Corporation 的商標。

### BATTERY LIFE 指示器和電池剩餘電量 % 指示須知 (使用前, 請仔細閱讀)

在存下列情況下, 請將本產品連同您的攝影機等設備, 則會在充電時顯示剩餘電池電量與剩餘電量。

- 使用 "InfoLITHIUM" 電池。
  - 您使用的攝影機等設備標有 **① InfoLITHIUM** 標示。
- 請確認電池上標有 **① InfoLITHIUM** 標示。請參閱設備隨附的使用說明書，確認您的設備是否與 "InfoLITHIUM" 電池相容。

將剩餘電池用於不同的設備時, 顯示剩餘電池電量。

**錄影內容與錄像時間**
當電池或電源供應器、充電器發生故障，而無法錄製或播放影像、聲音或其他內容時，Sony 將不提供任何賠償。

### 操作影像設備

有關連接方式的詳細資訊，請參閱攝影機等設備的使用說明書。

- 將**模式變更開關**切換至 **VCR/CAMERA**。
- 將**AC 電源線**連接至**本產品**。
- 將**AC 電源線**連接至**電源插座**。將會發出嗡嗡聲且啟用電源插座。
- 將**連接線與本產品的 DC OUT 接頭**連接。
- 將**連接線與攝影機**連接。

**備註**

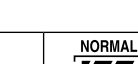


- 若在操作攝影機時將模式變更開關切換至 CHARGE，則會切斷攝影機的供電。
- 將本產品設為 VCR/CAMERA 模式時，無法為裝在內部的電池充電。
- 若發生影像播放情形，請將本產品裝在遠離攝影機等設備的地方。

- 將中間位 HDR-CX550V 數位 HD 攝錄影機的連接方式。
- 使用後，請將其從電源插座拔下。若要拔下電源線，請持握住插頭部分將其拔出，切勿拉扯電源線。

### 將電池充電

另請參閱您所使用裝置 (攝影機等) 及電池的使用說明書。

- 將**模式變更開關**切換至 **CHARGE**。
- 將**AC 電源線**連接至**本產品**。
- 將**AC 電源線**連接至**電源插座**。將會發出嗡嗡聲且啟用電源插座。
- 裝入電池**。請參閱 "裝入電池"。開始充電時，顯示螢幕上的電池標會連續閃爍，且 CHARGE 指示燈會亮起。
- 裝入充電後，請取出電池**。本產品有兩種充電程度：“一般充電”和“完全充電”。
  - 一般充電

<b>完成充電後，電池標示將如右圖所示。</b>	<b>NORMAL</b> 
<b>完全充電</b>	
<p>若在一般充電完成後繼續充電，直到電池標示顯示出 "FULL"，則電池的使用時間會比一般充電的電池更久一些。</p>	<b>FULL</b> 

要取出電池時，請參閱 "取出電池"。

### 同時裝入兩顆電池

您可在本產品中同時裝入兩顆電池。將電池放入插槽 ① 後，即會開始充電。

若兩顆電池並非同時裝入，將從先裝入的電池開始充電，無論該電池是裝在插槽 ① 或 ②。

**備註**

- 將 **▲** 標記朝向充電端，把電池裝入本產品中。
- 依照箭頭方向滑動電池。

### 取出電池

依照箭頭方向滑動電池，然後將其拔起取出。

**備註**

- 請勿抓握電池提起本產品。
- 安裝時，請小心不要碰到電池。
- 安裝或取出電池時，請小心不要夾到手。

### 充電時間

下表說明完全充電之 V 系列電池的充電時間。

<b>"InfoLITHIUM" 電池 V 系列</b>			
<b>一般充電</b>	125 分鐘	70 分鐘	55 分鐘
<b>完全充電</b>	185 分鐘	130 分鐘	115 分鐘

<b>"InfoLITHIUM" 電池 H 系列</b>			
<b>一般充電</b>	130 分鐘	65 分鐘	55 分鐘
<b>完全充電</b>	190 分鐘	125 分鐘	115 分鐘

<b>"InfoLITHIUM" 電池 P 系列</b>			
<b>一般充電</b>	115 分鐘	80 分鐘	65 分鐘
<b>完全充電</b>	175 分鐘	140 分鐘	125 分鐘

- 充電時間會因電池狀況及周圍溫度而有所不同。
- 表中顯示的時間是在 25℃ 的周圍溫度下使用本產品充電、電力被攝影機等裝置所消耗之電池所需的時間。

### 立即使用電池

即使未完成充電，也可以從本產品取出電池立即使用，但使用時間會因此更短。

### 充電時間和“充電 10 分鐘”約錄製 55 分鐘

顯示的時間為在以下情況下的大約總錄製時間：使用 NP-FV70 充電電池(另售)以及耗電量為 1.8W。不開啟 LCD 顯示器的攝影機，周圍溫度為 25℃。

此為使用攝影機將電池電力用盡後立即為電池充電的時間，不包括長時間未使用而出現劣化情形的電池。

不同分為一般充電和完全充電兩種方式。一般而言，充電時間及可用的錄製時間會因電池及使用情形而有所不同。

- 備註**
- 若在充電時將模式變更開關設為 VCR/CAMERA，將將停止充電。
- 若 CHARGE 指示燈未亮起或閃爍，請檢查電池是否正確裝入電源供應器／充電器。若未正確裝入將無法充電。
- 若在充電時發生任何問題，CHARGE 指示燈閃爍且畫面上會出現 "WARNING"，如需瞭解詳細資訊，請參閱 "故障排除"。

### 檢查充電

開始充電後，電池壽命或電池剩餘電量 % 指示會在此裝置螢幕上亮起(使用 V 系列電池時)。顯示的電池壽命為使用存取器錄製影片的約略時間。若使用 LCD 顯示器，電池壽命會更新。部分攝影機可能無法顯示電池壽命。如需瞭解詳細資訊，請參閱 "BATTERY LIFE 指示器和電池剩餘電量%"指示須知。

### 充電期間請按 DISPLAY。

在充電期間，每按一下 DISPLAY 變更按鈕，將會變更顯示螢幕的內容。

**a**：只有一顆電池安裝在插槽 ①。

**b**：兩顆電池安裝在插槽 ① 和插槽 ②。

插播指示燈表示已顯示電池資訊的插播號碼。同時裝入兩顆電池時，目前未充電之電池的時間顯示，會在十秒後自動回到正在充電之電池的時間顯示。

以下是在將電池先後裝入插槽 ① 和 ② 的範例。

各插播指示燈與其插播號碼相對應。

- 第一顆安裝在 "InfoLITHIUM" 電子設備中之電池的壽命。**
- 距第一顆電池完成一般充電所需的時間。**在充電完成前，不會顯示一般充電時間。
- 距第一顆電池完成完全充電所需的時間。**在充電完成前，不會顯示完全充電時間。同時裝入兩顆電池時，則不會顯示此畫面。

- 最新安裝在 "InfoLITHIUM" 電子設備中之電池的壽命。**
- 距最新一顆電池完成一般充電所需的時間。**在充電完成前，不會顯示一般充電時間。
- 距最新一顆電池完成完全充電所需的時間。**在充電完成前，不會顯示完全充電時間。

**備註**

- 時間顯示或剩餘電量是在 25℃ 的溫度下進行充電的約略估計值。
- 在按下 DISPLAY 變更按鈕後，顯示內容的變更會花費一些時間。

將剩餘電池用於不同的設備時, 顯示剩餘電池電量。

**錄影內容與錄像時間**
當電池或電源供應器、充電器發生故障，而無法錄製或播放影像、聲音或其他內容時，Sony 將不提供任何賠償。

- 將**模式變更開關**切換至 **VCR/CAMERA**。
  - 將**AC 電源線**連接至**本產品**。
  - 將**AC 電源線**連接至**電源插座**。將會發出嗡嗡聲且啟用電源插座。
  - 將**連接線與本產品的 DC OUT 接頭**連接。
  - 將**連接線與攝影機**連接。
- 備註**
- 若在電池完成一般充電但未完成完全充電時，從本產品將其取出(從一般充電到完全充電需要一個小時的時間)。
  - 若長時間未使用的電池充電時，顯示的電池壽命及完全充電時間有時會與實際時間存有落差。這是正常現象，並非故障。
  - 在以下情況，時間顯示可能出现 ----，這是正常現象，並非故障。
    - 若充電時間與實際充電時間間有落差，即使發生此情形，仍應繼續充電。
    - 為 "InfoLITHIUM" 的電池充電(無法使用電池壽命顯示及其功能)。
  - 在以下情況下，時間顯示可能会出现 ----，這是正常現象，並非故障。
    - 若在電池完成一般充電但未完成完全充電時，從本產品將其取出(從一般充電到完全充電需要一個小時的時間)。
    - 為 P 系列的 "InfoLITHIUM" 電池充電時，電池裝入後可能需將大約一分鐘的時間才會出現在螢幕上。
    - 在完成一般充電後，大約還需一個小時才能完成完全充電。
    - 為長時間未使用的電池充電時，顯示的電池壽命及完全充電時間有時會與實際時間存有落差。這是正常現象，並非故障。若發生此情形，請將該電池完全充電。接著，將顯示正確的時碼。

## 故障排除

<b>故障現象</b>	<b>原因／解決方式</b>
影像設備無法正常運作	● 電源線未接上電源插座。 <ul style="list-style-type: none"><li>→ 將電源線插入電源插座。</li> <li>● 未正確接上連接線。</li> <li>● 連接線未接在螢幕上。</li> <li>● 模式變更開關設為 CHARGE。 <ul style="list-style-type: none"><li>→ 將模式變更開關切換至 VCR/CAMERA。</li></ul></li></ul>
電池未充電	● 模式變更開關設為 VCR/CAMERA。 <ul style="list-style-type: none"><li>→ 將模式變更開關切換至 CHARGE。</li></ul>
即使充電電力足夠，但電源顯示器顯示未充電。	● 將電池的電力用盡，然後重新充電電池。 <ul style="list-style-type: none"><li>→ 將正顯示電池壽命。</li></ul>

**電池未充電**

即使充電電力足夠，但電源顯示器顯示未充電。

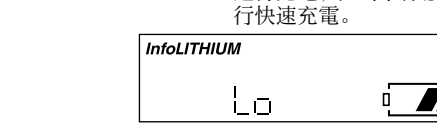
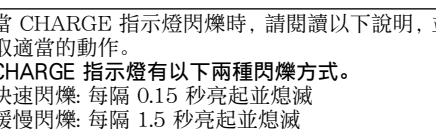
顯示仍未改變

請參閱 "BATTERY LIFE 指示器和電池剩餘電量%"指示須知。

無法進行快速充電

● 電池溫度過高或過低。

● 若裝入溫度過高或過低的電池，或在低於 10℃ 到 30℃ 的建議溫度範圍進行充電，可能會顯示以下畫面，此時仍可進行充電，但為了保護電池，本產品將執行快速充電。

當 CHARGE 指示燈閃爍時，請閱讀以下說明，並根據圖樣方式採取適當的動作。

CHARGE 指示燈有**以下兩種閃爍模式**。

● 快速閃爍：每隔 0.15 秒點亮並熄滅

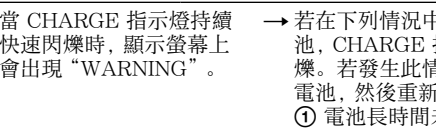
● 緩慢閃爍：每隔 1.5 秒亮起並熄滅

當 CHARGE 指示燈持續 **▲** 此時會暫時停止充電。本產品處於候命狀態。

若在充電時電池溫度超過適當的溫度範圍，將自動停止充電。

當室內溫度回到適當的範圍後，CHARGE 指示燈閃爍會重新開始充電。

建議在 10°C 到 30°C 的溫度範圍內進行充電。

當 CHARGE 指示燈持續 **▲** → 若在下列情況中第一次充電電池快閃四時，顯示螢幕上會出現 "WARNING"。

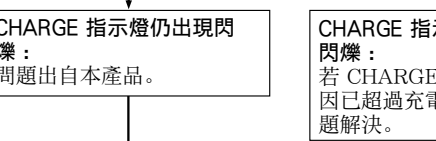
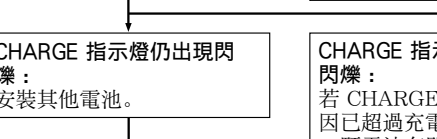
● 若電池溫度過高，請重新安裝電池，然後重新充電一次。

● 電池長時間未使用

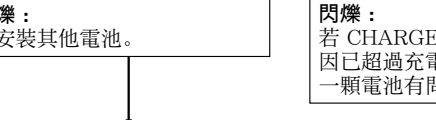
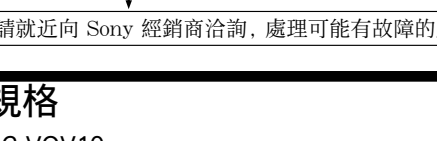
● 關閉後立即使用

若畫面仍顯示出 "WARNING"，請依照以下步驟進行確認。

從充電器取出電池，然後重新安裝。

CHARGE 指示燈亮起且不再閃爍：若 CHARGE 指示燈熄滅是因已超過充電時間，則表示問題已解決。

CHARGE 指示燈仍出現閃爍：安裝其他電池。

CHARGE 指示燈亮起且不再閃爍：若 CHARGE 指示燈熄滅是因已超過充電時間，則表示第一顆電池有問題。

請就近向 Sony 經銷商諮詢，處理可能有故障的產品。

## 規格

<b>AC-VQV10</b>			
輸入	100 V - 240 V AC 50 Hz/60 Hz 2.8 W		
輸出	8.4 V DC 1.7 A (VCR)		
	8.4 V DC 2.2 A (BATT)		
操作溫度	0°C 到 40°C		
存貯溫度	-20°C 到 +60°C		
尺寸(約)(不包括突出部份)	100 mm × 67 mm × 111 mm (寬/高/深)		
質量	約 330 g		

所含物品

- 電源供應器／充電器 (AC-VQV10) (1)
- AC 電源線 (1)
- 連接線 (DK-225) (1)
- 成套印刷文件

設計和規格如有變更時，恕不另行奉告。

<b>本產品支援 100 V 至 240 V 的全球電壓。請勿使用變壓器，因為這可能會造成故障。</b>	
--	--

### 中文(簡)

感謝您購買 Sony 電源適配器/充電器。

在操作本裝置之前，請讀本說明書，并妥善保管以備將來參考。

- 本裝置內附連接導線，可用于操作 Sony 设备 (摄像机等)。

### 部件识别

<b>1</b> 插播 ①	<b>顯示窗</b>	●參見圖 <b>A</b>
<b>2</b> 模式切换开关	⑩ "InfoLITHIUM"指示灯	
<b>3</b> DISPLAY (显示)转换按钮	⑪ WAITING (等待)指示灯	
<b>4</b> CHARGE (充电)灯 ④	⑫ WARNING (警告)指示灯	
<b>5</b> DC OUT (直流输出)连接器	⑬ TIME TO CHG (充电)指示器	
	⑭ 时间指示灯	
	⑮ BATTERY LIFE (电池使用时间)指示器	
	⑯ VCR/CAMERA (录像机)指示器	
	⑰ 电池剩余电量 % 指示器	
	⑱ 完全充电指示灯	
	⑳ 电池使用时间指示灯	

CHARGE 灯持续快速闪烁，并在显示窗中显示 "WARNING" (警告)时

当 CHARGE 灯持续缓慢闪烁，并在显示窗中显示 "WAITING" 时

当 CHARGE 灯持续缓慢闪烁，并在显示窗中显示 "WAITING" 时

如果 CHARGE 灯不闪亮或闪烁，请检查电池组是否正确地装入电源适配器/充电器上。如果不能较好，将不能给充电。

如果充电期间出现问题，充电灯将闪烁，"WARNING" (警告)将显示在显示屏中。详情请参见 "故障排除"。

请参閱 "BATTERY LIFE 指示灯及電池剩餘電量 % 指示須知 (使用前, 請仔細閱讀)"

給電池充電時，只要使用與設備滿足下列條件，本裝置就能顯示電池使用時間及剩餘電池電量。

- 使用 "InfoLITHIUM" 電池組。
- 使用帶有 **① InfoLITHIUM** 标志的摄像机等设备。确认电池组带有 **① InfoLITHIUM** 标志。请查看所用视频设备附带的用户说明书，看它是否兼容 "InfoLITHIUM"。

如果在多台摄像机等设备上使用某个带有 **① InfoLITHIUM** 标志的电池组，则显示的剩余电池时间是在最后安装电池组的设备对应的时间。

**有关限制内容的提醒**

Sony 对于因电池组、电源适配器/充电器故障而导致无法录制或播放影像、声音或其他内容等事宜将不提供任何赔偿。

"ActiFORCE" 是 Sony 公司的商标。

什么是 "ActiFORCE" ？

"ActiFORCE" 是下一代供电系统的功能名称。

相对于当前的 "InfoLITHIUM" 电池组 P 系列供电系统，"ActiFORCE" 具有更高的容量，更快的充电速度以及更快、更精确的电池剩余电量计算功能。

"ActiFORCE" 是 Sony 公司的商标。

**BATTERY LIFE 指示灯及电池剩余电量 % 指示须知 (使用前, 请仔细阅读)**

给电池充电时，只要使用与设备满足下列条件，本装置就能显示电池使用时间及剩餘電池電量。

- 使用 "InfoLITHIUM" 電池組。
- 使用帶有 **① InfoLITHIUM** 标志的摄像机等设备。确认电池组带有 **① InfoLITHIUM** 标志。请查看所用视频设备附带的用户说明书，看它是否兼容 "InfoLITHIUM"。

如果在多台摄像机等设备上使用某个带有 **① InfoLITHIUM** 标志的电池组，则显示的剩余电池时间是在最后安装电池组的设备对应的时间。

**有关限制内容的提醒**

Sony 对于因电池组、电源适配器/充电器故障而导致无法录制或播放影像、声音或其他内容等事宜将不提供任何赔偿。

"ActiFORCE" 是 Sony 公司的商标。

什么是 "ActiFORCE" ？

"ActiFORCE" 是下一代供电系统的功能名称。

相对于当前的 "InfoLITHIUM" 电池组 P 系列供电系统，"ActiFORCE" 具有更高的容量，更快的充电速度以及更快、更精确的电池剩余电量计算功能。

"ActiFORCE" 是 Sony 公司的商标。

**BATTERY LIFE 指示灯及电池剩余电量 % 指示须知 (使用前, 请仔细阅读)**

给电池充电时，只要使用与设备满足下列条件，本装置就能显示电池使用时间及剩餘電池電量。

- 使用 "InfoLITHIUM" 電池組。
- 使用帶有 **① InfoLITHIUM** 标志的摄像机等设备。确认电池组带有 **① InfoLITHIUM** 标志。请查看所用视频设备附带的用户说明书，看它是否兼容 "InfoLITHIUM"。

如果在多台摄像机等设备上使用某个带有 **① InfoLITHIUM** 标志的电池组，则显示的剩余电池时间是在最后安装电池组的设备对应的时间。

**有关限制内容的提醒**

Sony 对于因电池组、电源适配器/充电器故障而导致无法录制或播放影像、声音或其他内容等事宜将不提供任何赔偿。

"ActiFORCE" 是 Sony 公司的商标。

什么是 "ActiFORCE" ？

"ActiFORCE" 是下一代供电系统的功能名称。

相对于当前的 "InfoLITHIUM" 电池组 P 系列供电系统，"ActiFORCE" 具有更高的容量，更快的充电速度以及更快、更精确的电池剩余电量计算功能。

"ActiFORCE" 是 Sony 公司的商标。

- 使用之后，请从墙上电源插座上拔下本装置。如需断开导线连接，请握住插头将其拔出，切勿拉扯导线本身。

## 给电池组充电

此外请参见所用设备 (摄像机等) 和电池组的使用说明书。

- 將**模式切换开关**设定于 **CHARGE**。
- 將**AC 电源线**连接至**本装置**。
- 將**AC 电源线**连接至**墙上电源插座**。发出嘶声且启用电源插座。
- 安装电池组**。请参见 "安装电池组"。充电开始时，显示窗中的电池标记按照顺序闪烁，且 CHARGE 灯点亮。