



BDV-N9200WL is the model used for illustration purposes. For details, refer to the Operating Instructions.  
BDV-N9200WL 型號用作插圖用途。有關詳情請參閱使用說明書。

# Quick Setup Guide/快速設定指南

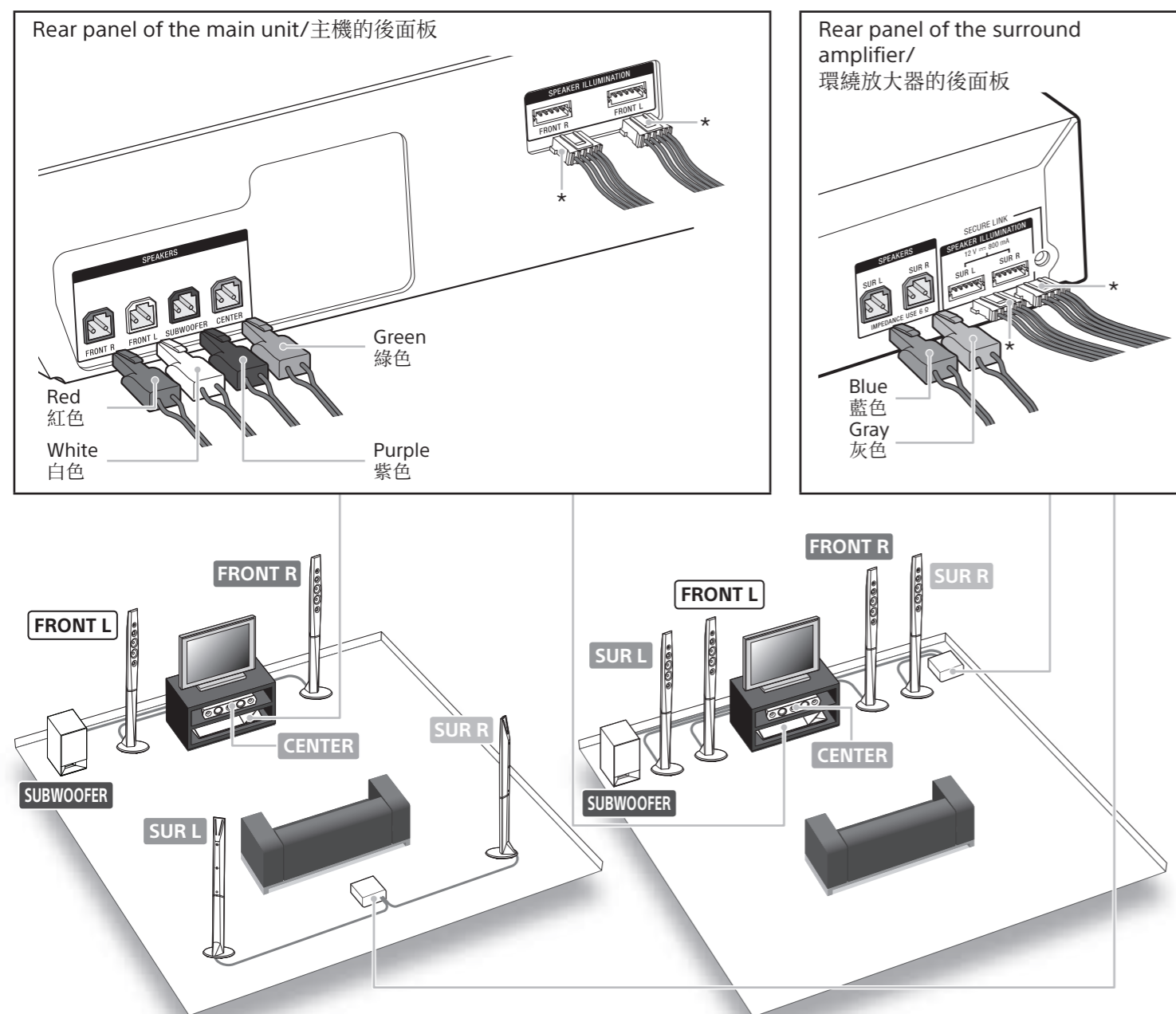
## BDV-N9200W/BDV-N9200WL/ BDV-N7200W/BDV-N7200WL/BDV-N5200W

©2014 Sony Corporation Printed in Malaysia

English 繁體中文

### 1 Connect the speakers/連接揚聲器

Connect the speaker cords to match the color of the SPEAKERS jacks of the main unit and surround amplifier.  
將揚聲器線配對主機和環繞放大器的 SPEAKERS 插孔的顏色。



Speaker layout: [Standard]  
揚聲器配置: [標準]

Speaker layout: [All Front]  
揚聲器配置: [全部前方]

\* BDV-N9200WL/BDV-N7200WL only.  
只限 BDV-N9200WL/BDV-N7200WL。

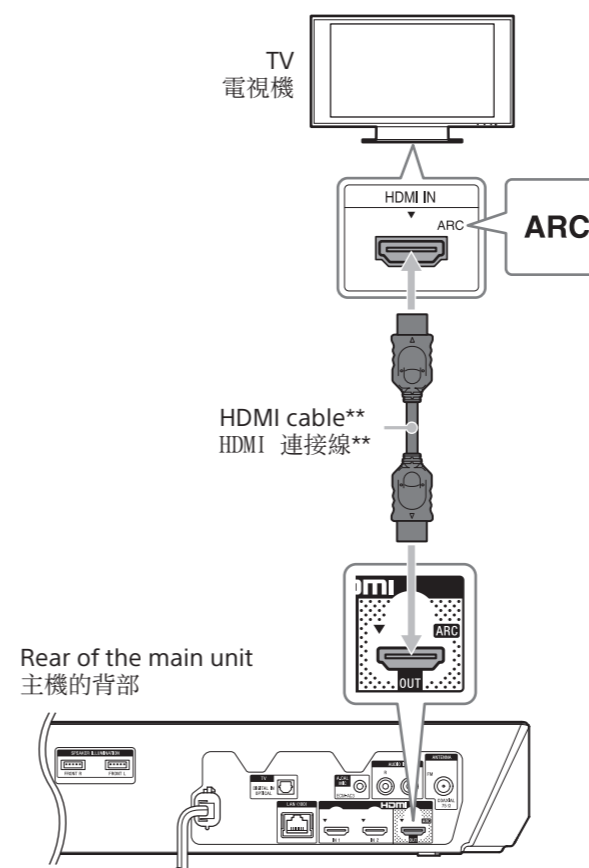
### 2 Connect your TV/連接您的電視機

#### If your TV is compatible with Audio Return Channel (ARC)\* function

如果您的電視機與音頻回傳信道 (ARC)\* 功能兼容

You can watch the image on the TV and also enjoy the TV sound via this system with an HDMI connection as follows.

您可用以下的 HDMI 連接通過本系統在電視機上觀看圖像並且享受電視機的聲音。



\* The ARC function enables the TV to transfer audio back to this system via a single HDMI cable. To check the compatibility of your TV's ARC function, refer to the operating instructions supplied with your TV.

ARC 功能使電視機能通過單一 HDMI 連接線傳送音頻回本系統。要檢查您的電視機的 ARC 功能的兼容性，請參閱隨您的電視機附帶的使用說明書。

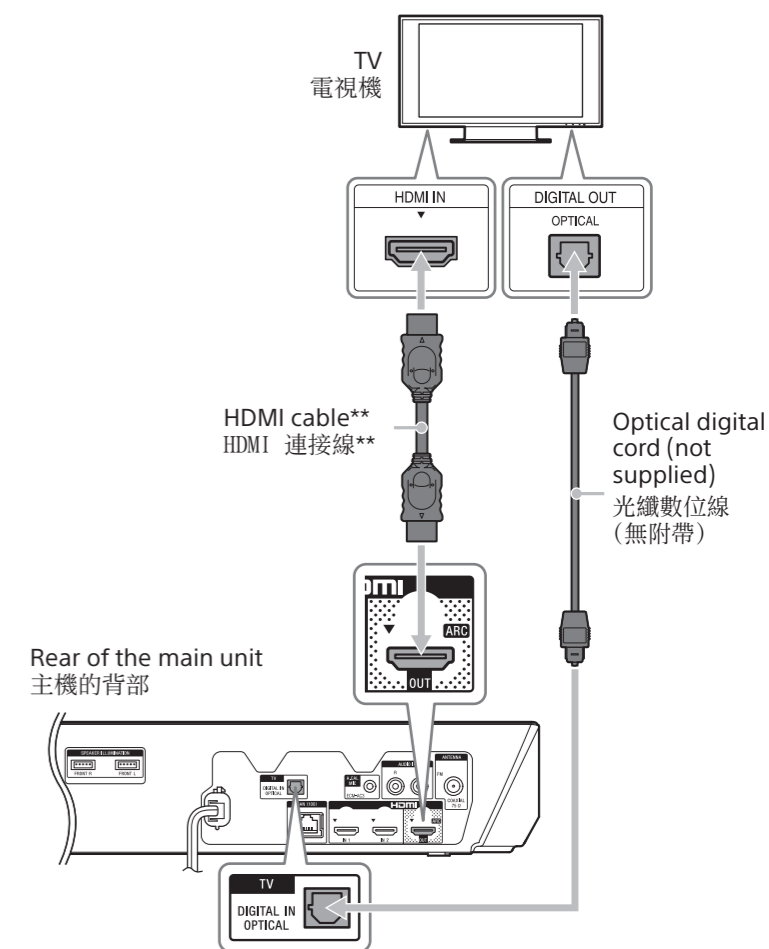
\*\* A High Speed HDMI cable is supplied for Africa, India, Middle East, China, Thailand, Taiwan and Singapore models only.  
High Speed HDMI Cable 只隨附於非洲、印度、中東、中國、泰國、台灣和新加坡型號。

#### If your TV is not compatible with Audio Return Channel (ARC) function

如果您的電視機與音頻回傳信道 (ARC) 功能不兼容

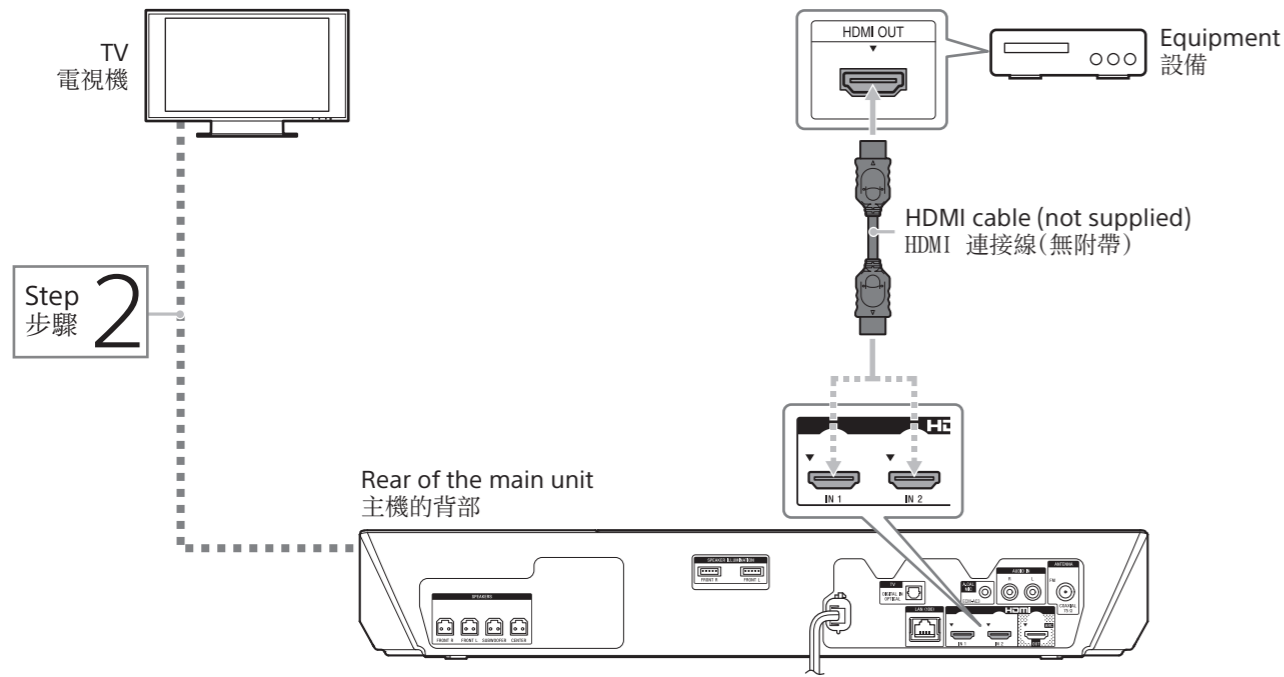
Connect an HDMI cable to watch the image on the TV. To enjoy the TV sound via the system, connect an optical digital cord in addition to the HDMI cable. **Be sure to press FUNCTION repeatedly to select "TV".**

連接 HDMI 連接線以在電視機上觀看圖像。要通過系統享受電視機的聲音，除了 HDMI 連接線外，還需連接光纖數位線。務必重複按 FUNCTION 以選擇 "TV"。



# 3 Connect the other equipment/連接其它設備

To enjoy the sound from other equipment (set-top box, PlayStation®, or digital satellite receiver, etc.) via this system, make this connection.  
要通過本系統享受來自其它設備（數碼電視接收器、PlayStation® 或數位衛星接收器等等）的聲音，進行此連接。

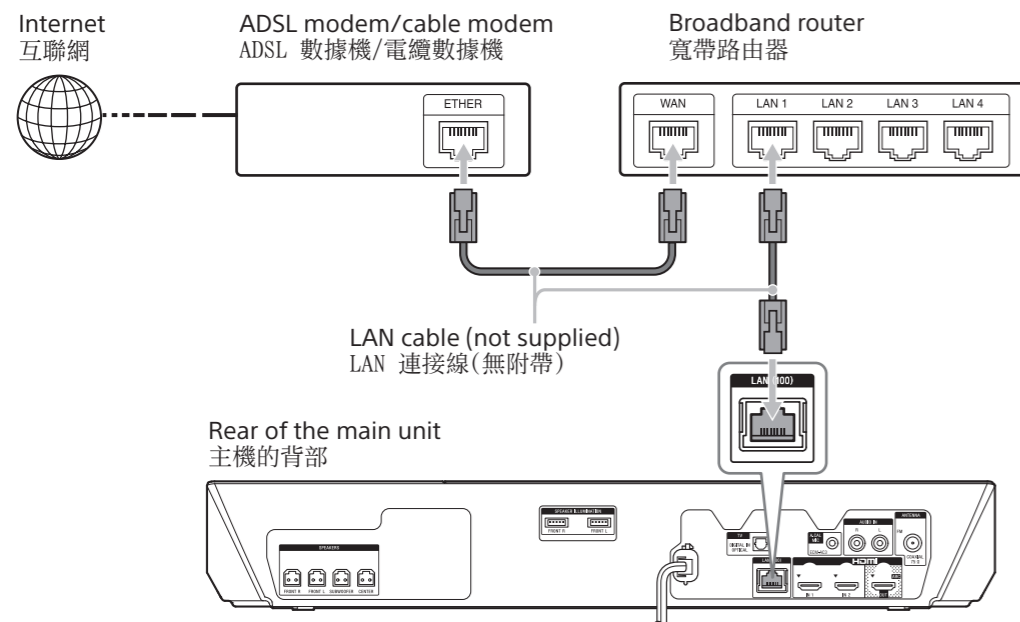


### Note / 註

- To enjoy the equipment sound, press FUNCTION repeatedly to select "HDMI1" or "HDMI2".  
要享受設備的聲音，重複按 FUNCTION 以選擇 "HDMI1" 或 "HDMI2"。
- For details on other connections, refer to the supplied Operating Instructions.  
有關其它連接的詳情，請參閱附帶的使用說明書。

# 4 Connect to the network/連接至網絡

To use Wi-Fi, skip this Step./要使用 Wi-Fi，跳過此步驟。

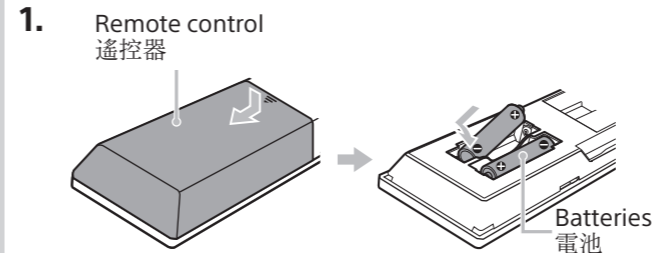


### Tip / 提示

You can use this system without connecting it to the network.  
您可在不連接至網絡的情況下使用本系統。

# 5 Perform Easy Setup/進行輕鬆設定

Do not insert a disc before performing the Easy Setup.  
不要在進行輕鬆設定之前插入光碟。



2. Connect the AC power cords of the main unit, surround amplifier, and your TV to the AC power outlet. Then, turn on the main unit and TV.

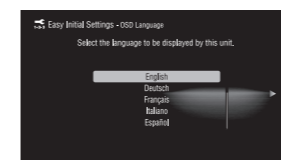
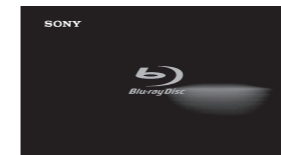
When wireless transmission is activated, the LINK/STANDBY indicator on the surround amplifier turns green.

將主機、環繞放大器和您的電視機的交流電源線連接至交流電源插座。然後，開啓主機和電視機。

當無線傳送啓動時，在環繞放大器上的 LINK/STANDBY 指示器轉為綠色。

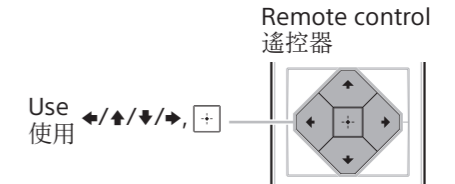
3. Switch the input on your TV to the input which the system is connected.

將您的電視機上的輸入切換至系統連接的輸入。



4. Follow the on-screen instructions to perform the following settings.  
遵從在屏指示以進行以下的設定。

- [Easy Initial Settings] to make basic adjustment for the system.  
[簡易初始設定] 為系統進行基本的調節。
- \*[Easy Network Settings] to enjoy the network features.  
[簡易網路設定] 以享受網絡功能。



\* Skip this setting if you do not want to connect to the network.  
如果您不要連接至網絡，跳過此設定。

5. If you want to skip the network settings, select [Finish] when [Easy Initial Settings are complete.] appears. Otherwise, select [Finish] when [Easy Network Settings are complete.] appears.

如果您要跳過網絡設定，當[簡易初始設定完成。]出現時選擇[完成]。否則，當[簡易網路設定完成。]出現時選擇[完成]。

Basic setup is complete.

Refer to the supplied Operating Instructions for details on how to enjoy disc playback and many other features.

基本設定已完成。

請參閱附帶使用說明書有關如何享受光碟播放和其他多種功能。

For further details on network settings, visit the following website and check the FAQ:

有關網絡設定的進一步詳情，請瀏覽以下網站並查看常見問題(FAQ):

For customers in Europe and Russia:/歐洲和俄羅斯的用戶:

<http://support.sony-europe.com/>

For customers in other countries/regions:/其它國家/區域的用戶:

<http://www.sony-asia.com/section/support>