

# SONY®

## Television

---

Reference Guide

GB

---

參考指南

CT

## BRAVIA

KDL-48W600B / 40W600B

# Table of Contents

|   |    |
|---|----|
| Safety Information . . . . .            | 2  |
| Precautions . . . . .                   | 4  |
| Connecting Other Devices. . . . .       | 5  |
| Installing the TV to the Wall . . . . . | 6  |
| Troubleshooting . . . . .               | 10 |
| Troubles and Solutions . . . . .        | 10 |
| Specifications . . . . .                | 11 |

## Introduction

Thank you for choosing this Sony product. Before operating the TV, please read this manual thoroughly and retain it for future reference.

### Note

- Before operating the TV, please read "Safety Information" (page 2).
- Instructions about "Installing the TV to the Wall" are included within this TV's instructions manual.
- Images and illustrations used in Quick Start Guide and this manual are for reference only and may differ from actual product appearance.

## Location of the identification label

Labels for the TV Model No., Power Supply rating (in accordance with applicable safety regulation) and Manufacturing date are located on the rear of the TV.

Labels for the AC adapter Model No. and Serial No. are located at the bottom of the AC adapter.

This television is designed for use in Hong Kong and ensured the usage in Hong Kong only.

## Safety Information

### WARNING

Batteries must not be exposed to excessive heat such as sunshine, fire or the like.

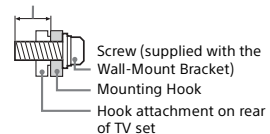
### Installation/Set-up

Install and use the TV set in accordance with the instructions below in order to avoid any risk of fire, electrical shock or damage and/or injuries.

#### Installation

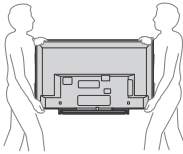
- The TV set should be installed near an easily accessible AC power outlet (mains socket).
- Place the TV set on a stable, level surface to avoid it from falling down and cause personal injury or damage to the TV.
- Only qualified service personnel should carry out wall installations.
- For safety reasons, it is strongly recommended that you use Sony accessories, including:
  - Wall-Mount Bracket
  - SU-WL450
- Be sure to use the screws supplied with the Wall-Mount Bracket when attaching the Mounting Hooks to the TV set. The supplied screws are designed as indicated by illustration when measured from the attaching surface of the Mounting Hook. The diameter and length of the screws differ depending on the Wall-Mount Bracket model. Use of screws other than those supplied may result in internal damage to the TV set or cause it to fall, etc.

8 mm - 10 mm



## Transporting

- Before transporting the TV set, disconnect all cables.
- Two or three people are needed to transport a large TV set.
- When transporting the TV set by hand, hold it as shown below. Do not put stress on the LCD panel and the frame around the screen.

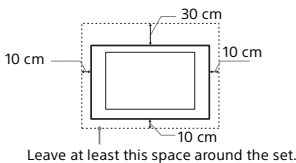


- When transporting the TV set, do not subject it to jolts or excessive vibration.
- When transporting the TV set for repairs or when moving, pack it using the original carton and packing material.

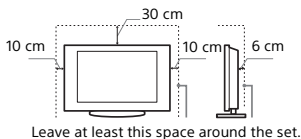
## Ventilation

- Never cover the ventilation holes or insert anything in the cabinet.
- Leave space around the TV set as shown below.
- It is strongly recommended that you use a Sony Wall-Mount Bracket in order to provide adequate air-circulation.

### Installed on the wall

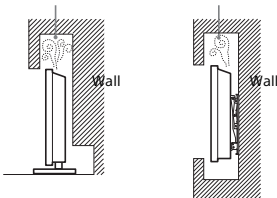


### Installed with stand



- To ensure proper ventilation and prevent the collection of dirt or dust:
  - Do not lay the TV set flat, install upside down, backwards, or sideways.
  - Do not place the TV set on a shelf, rug, bed or in a closet.
  - Do not cover the TV set with a cloth, such as curtains, or items such as newspapers, etc.
  - Do not install the TV set as shown below.

Air circulation is blocked.



## AC power cord (mains lead)

Handle the AC power cord (mains lead) and outlet (mains socket) as follows in order to avoid any risk of fire, electrical shock or damage and/or injuries:

- Use only Sony supplied AC power cords (mains lead), not those of other brands.
- Insert the plug fully into the AC power outlet (mains socket).
- Operate the TV set on a 220–240 V AC supply only.
- When wiring cables, be sure to unplug the AC power cord (mains lead) for your safety and take care not to catch your feet on the cables.

- Disconnect the AC power cord (mains lead) from the AC power outlet (mains socket) before working on or moving the TV set.
- Keep the AC power cord (mains lead) away from heat sources.
- Unplug the AC power plug (mains plug) and clean it regularly. If the plug is covered with dust and it picks up moisture, its insulation may deteriorate, which could result in a fire.

## Note

- Do not use the supplied AC power cord (mains lead) on any other equipment.
- Do not pinch, bend, or twist the AC power cord (mains lead) excessively. The core conductors may be exposed or broken.
- Do not modify the AC power cord (mains lead).
- Do not put anything heavy on the AC power cord (mains lead).
- Do not pull on the AC power cord (mains lead) itself when disconnecting the AC power cord (mains lead).
- Do not connect too many appliances to the same AC power outlet (mains socket).
- Do not use a poor fitting AC power outlet (mains socket).

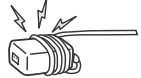
## NOTE ON AC ADAPTER

### Warning

To reduce the risk of fire or electric shock, do not expose this apparatus to rain or moisture. To prevent fire or shock hazard, do not place objects filled with liquids, such as vases, on the apparatus.

Do not install this equipment in a confined space, such as a bookshelf or similar unit.

- Please ensure that the AC power outlet (mains socket) is installed near the equipment and shall be easily accessible.
- Be sure to use the supplied AC adapter and AC power cord (mains lead). Otherwise it may cause a malfunction.
- Connect the AC adapter to an easily accessible AC power outlet (mains socket).
- Do not coil the AC power cord (mains lead) around the AC adapter. The core wire may be cut and/or it may cause a malfunction of the TV.
- Do not touch the AC adapter with wet hands.
- If you notice an abnormality in the AC adapter, disconnect it from the AC power outlet (mains socket) immediately.
- The set is not disconnected from the AC source as long as it is connected to the AC power outlet (mains socket), even if the set itself has been turned off.
- As the AC adapter will become warm when it is used for a long time, you may feel hot when touching it by hand.



## Prohibited Usage

Do not install/use the TV set in locations, environments or situations such as those listed below, or the TV set may malfunction and cause a fire, electrical shock, damage and/or injuries.

### Location:

- Outdoors (in direct sunlight), at the seashore, on a ship or other vessel, inside a vehicle, in medical institutions, unstable locations, near water, rain, moisture or smoke.
- If the TV is placed in the changing room of a public bath or hot spring, the TV may be damaged by airborne sulphur, etc.



- For best picture quality, do not expose the screen to direct illumination or sunlight.
- Avoid moving the TV from a cold area to a warm area. Sudden room temperature changes may cause moisture condensation. This may cause the TV to show poor picture and/or poor colour. Should this occur, allow moisture to evaporate completely before powering the TV on.

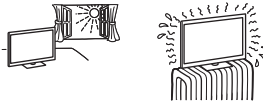
### Environment:

- Places that are hot, humid, or excessively dusty; where insects may enter; where it might be exposed to mechanical vibration, near flammable objects (candles, etc.). The TV set shall not be exposed to dripping or splashing and no objects filled with liquids, such as vases, shall be placed on the TV.

- Do not place the TV in a humid or dusty space, or in a room with oily smoke or steam (near cooking tables or humidifiers). Fire, electric shock, or warping may result.

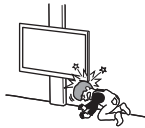


- Do not install the TV in places subject to extreme temperature, such as in direct sunlight, near a radiator or a heating vent. The TV may overheat in such conditions which can cause deformation of the enclosure and/or TV malfunction.



### Situation:

- Do not use when your hands are wet, with the cabinet removed, or with attachments not recommended by the manufacturer. Disconnect the TV set from AC power outlet (mains socket) and antenna during lightning storms.
- Do not install the TV so that it sticks out into an open space. Injury or damage from a person or object bumping into the TV may result.



### Broken pieces:

- Do not throw anything at the TV set. The screen glass may break by the impact and cause serious injury.
- If the surface of the TV set cracks, do not touch it until you have unplugged the AC power cord (mains lead). Otherwise electric shock may result.

### When not in use

- If you will not be using the TV set for several days, the TV set should be disconnected from the AC power (mains) for environmental and safety reasons.
- As the TV set is not disconnected from the AC power (mains) when the TV set is just turned off, pull the plug from the AC power outlet (mains socket) to disconnect the TV set completely.
- However, some TV sets may have features that require the TV set to be left in standby to work correctly.

### For children

- Do not allow children to climb on the TV set.
- Keep small accessories out of the reach of children, so that they are not mistakenly swallowed.

### If the following problems occur...

**Turn off** the TV set and unplug the AC power cord (mains lead) immediately if any of the following problems occur. Ask your dealer or Sony service centre to have it checked by qualified service personnel.

#### When:

- AC power cord (mains lead) is damaged.
- Poor fitting of AC power outlet (mains socket).
- TV set is damaged by being dropped, hit or having something thrown at it.
- Any liquid or solid object falls through openings in the cabinet.

### About LCD Monitor Temperature

When the LCD Monitor is used for an extended period, the panel surrounds become warm. You may feel hot when touching there by the hand.

## Precautions

### Viewing the TV

- View the TV in moderate light, as viewing the TV in poor light or during long period of time, strains your eyes.
- When using headphones, adjust the volume so as to avoid excessive levels, as hearing damage may result.

### LCD Screen

- Although the LCD screen is made with high-precision technology and 99.99% or more of the pixels are effective, black dots may appear or bright points of light (red, blue, or green) may appear constantly on the LCD screen. This is a structural property of the LCD screen and is not a malfunction.
- Do not push or scratch the front filter, or place objects on top of this TV set. The image may be uneven or the LCD screen may be damaged.
- If this TV set is used in a cold place, a smear may occur in the picture or the picture may become dark. This does not indicate a failure. These phenomena disappear as the temperature rises.
- Ghosting may occur when still pictures are displayed continuously. It may disappear after a few moments.
- The screen and cabinet get warm when this TV set is in use. This is not a malfunction.
- The LCD screen contains a small amount of liquid crystal. Follow your local ordinances and regulations for disposal.

### Handling and cleaning the screen surface/ cabinet of the TV set

Be sure to unplug the AC power cord (mains lead) connected to the TV set from AC power outlet (mains socket) before cleaning. To avoid material degradation or screen coating degradation, observe the following precautions.

- To remove dust from the screen surface/cabinet, wipe gently with a soft cloth. If dust is persistent, wipe with a soft cloth slightly moistened with a diluted mild detergent solution.
- Never spray water or detergent directly on the TV set. It may drip to the bottom of the screen or exterior parts and enter the TV set, and may cause damage to the TV set.



- Never use any type of abrasive pad, alkaline/acid cleaner, scouring powder, or volatile solvent, such as alcohol, benzene, thinner or insecticide. Using such materials or maintaining prolonged contact with rubber or vinyl materials may result in damage to the screen surface and cabinet material.
- Periodic vacuuming of the ventilation openings is recommended to ensure to proper ventilation.
- When adjusting the angle of the TV set, move it slowly so as to prevent the TV set from moving or slipping off from its table stand.

### Optional Equipment

Keep optional components or any equipment emitting electromagnetic radiation away from the TV set. Otherwise picture distortion and/or noisy sound may occur.

### Wireless Function of the unit

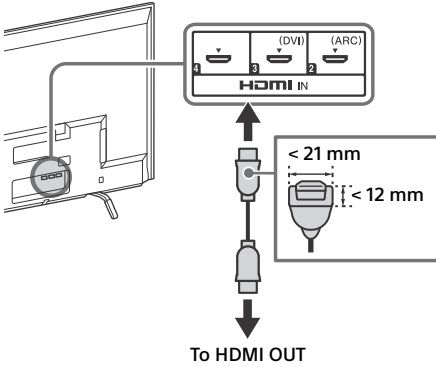
- Do not operate this unit near medical equipment (pacemaker, etc.), as malfunction of the medical equipment may result.
- Although this unit transmits/receives scrambled signals, be careful of unauthorised interception. We cannot be responsible for any trouble as a result.

### Caution about handling the remote control

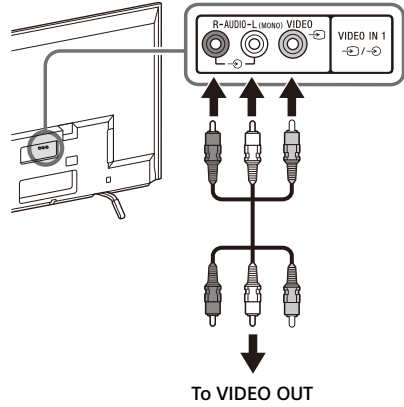
- Observe the correct polarity when inserting batteries.
- Do not use different types of batteries together or mix old and new batteries.
- Dispose of batteries in an environmentally friendly way. Certain regions may regulate the disposal of batteries. Please consult your local authority.
- Handle the remote control with care. Do not drop or step on it, or spill liquid of any kind onto it.
- Do not place the remote control in a location near a heat source, a place subject to direct sunlight, or a damp room.

# Connecting Other Devices

## To connect with an HDMI cable

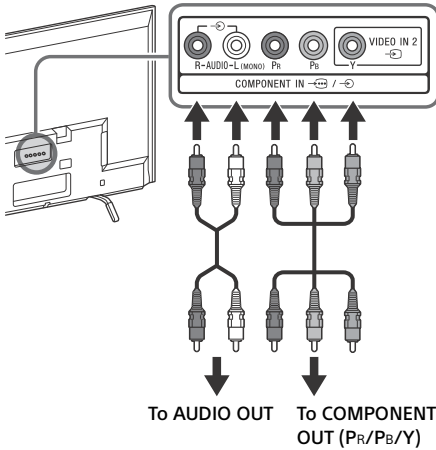


## To connect with AV composite cables



GB

## To connect with component cables



### Picture Quality

- AV composite cable
- Antenna (aerial) cable
- Component cable
- HDMI cable



Standard definition (SD) videos have picture signals with a vertical resolution of 480 (NTSC) or 576 (PAL/SECAM) lines.



High definition (HD) videos have picture signals with a vertical resolution of 720 or 1080 lines.

## Installing the TV to the Wall

This TV's instruction manual only shows the steps on preparing the installation of the TV before installing to the wall.

### To Customers:

For product protection and safety reasons, Sony strongly recommends that installation of your TV be performed by Sony dealers or licensed contractors. Do not attempt to install it yourself.

### To Sony Dealers and Contractors:

Provide full attention to safety during the installation, periodic maintenance and examination of this product.

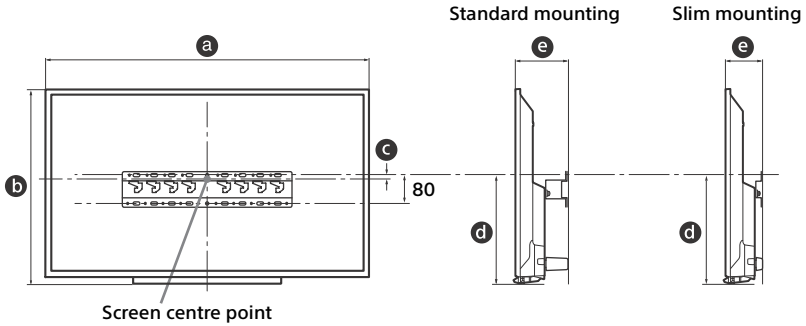
Sufficient expertise is required for installing this product, especially to determine the strength of the wall for withstanding the TV's weight. Be sure to entrust the attachment of this product to the wall to Sony dealers or licensed contractors and pay adequate attention to safety during the installation. Sony is not liable for any damage or injury caused by mishandling or improper installation.

Use the Wall-Mount Bracket SU-WL450 (not supplied) to install the TV to the wall. When installing the Wall-Mount Bracket, also refer to the Operating Instructions and Installation Guide supplied with the Wall-Mount Bracket.

### Note

- If the Table-Top Stand is attached to the TV, detach the Table-Top Stand beforehand. See the Quick Start Guide and follow in reverse order the steps to attach the Table-Top Stand.
- Place the TV with its screen facing down on a level and stable surface covered with a thick and soft cloth, when securing the Attachment parts for Wall-Mount Bracket or when removing the Table-Top Stand from the TV to prevent damaging the surface of the LCD display.
- Be sure to store the removed screws in a safe place, keeping them away from children.

- 1** Make sure that the wall has enough space for the TV and is capable of supporting a weight of at least four times that of the TV.  
Refer to the following table on installing the TV to the wall. See page 11-13 (Specifications) for the TV's weight.



Unit: mm

| Model Name<br>KDL- | Display dimensions |     | Screen<br>centre<br>dimension | Length for mounting |                      |                  |
|--------------------|--------------------|-----|-------------------------------|---------------------|----------------------|------------------|
|                    | a                  | b   | c                             | d                   | e                    |                  |
|                    |                    |     |                               |                     | Standard<br>mounting | Slim<br>mounting |
| 48W600B            | 1,086              | 646 | 29                            | 305                 | 152                  | 111              |
| 40W600B            | 926                | 556 | 16                            | 306                 | 151                  | 110              |

**Note**

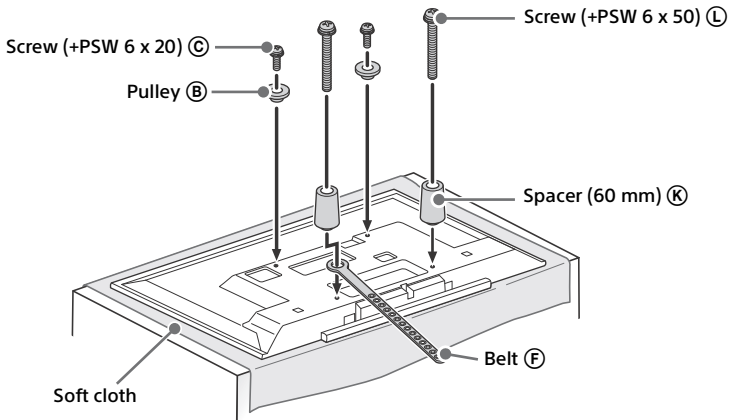
- Figures in the table may differ slightly depending on the installation.
- When your TV is installed on the wall, the upper side of the TV slightly leans forward.

- 2** Attach the Attachment parts for Wall-Mount Bracket. Check the Attachment parts by referring to "1" of the Wall-Mount Bracket Installation Guide.

**Note**

- If using an electric screwdriver, set the torque at approximately 1.5 N·m {15 kgf·cm}.
- Be sure to store the unused parts in a safe place for future use. Retain this manual for future reference.

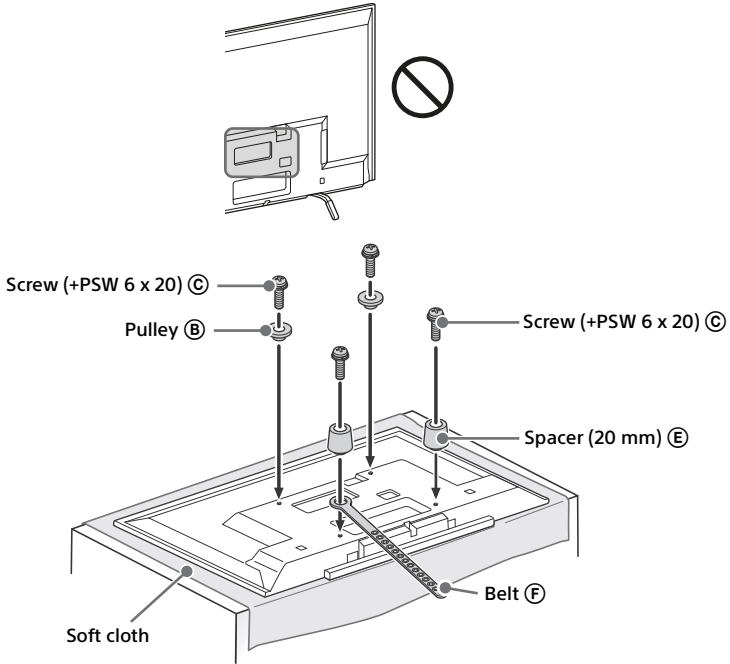
**Standard mounting**



## Slim mounting

### Note

- You cannot use some of the terminals on the rear of the TV when using this mounting style.

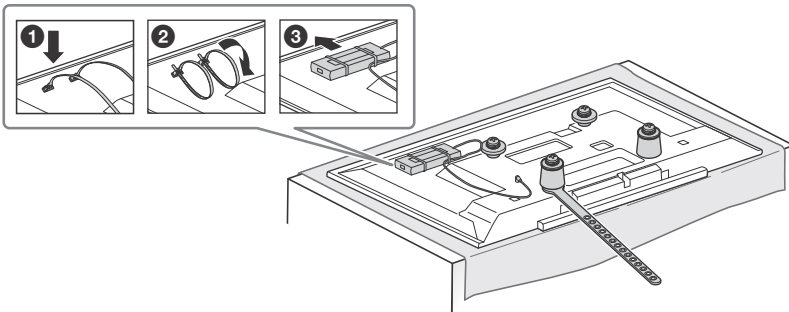


## 3 Connect necessary cables to the TV.

### Note

- You cannot access to any terminal after installing the TV to the wall.

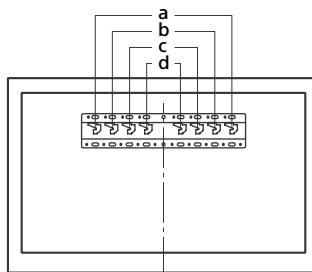
## 4 Bundle the AC Adapter using the cable holders (G) (supplied with the TV). Make sure that the label is facing outwards when bundling AC adapter.





**5** Install the TV to the Base. Refer to "5" of Installation Guide and "Installing the TV to the Wall" of Operating Instructions supplied with the Wall-Mount Bracket.

| Model Name KDL- | Hook location |
|-----------------|---------------|
| 48W600B         | c             |
| 40W600B         |               |



GB



Refer to the instructions supplied with the Wall-Mount Bracket for your model to install the TV on the wall.

## Troubleshooting

**When the LED indicator is flashing red, count how many times it flashes (interval time is three seconds).**

If the LED indicator flashes red, reset the TV by disconnecting the AC power cord (mains lead) from the TV for two minutes, then turn on the TV.

If the problem persists, contact your dealer or Sony service centre with the number of times the LED indicator flashes red (interval time is three seconds). Press **I/⏻** on the TV to turn it off, disconnect the AC power cord (mains lead), and inform your dealer or Sony service centre.

**When the LED indicator is not flashing, check the items as follows.**

You can also refer to [Troubleshooting] in the i-Manual or perform self-diagnosis by selecting **? [Help]** → **🔧 [Customer Support]** → **[Self Diagnostics]**. If the problem persists, have your TV serviced by qualified service personnel.

### Troubles and Solutions

**There is no picture (screen is dark) and no sound.**

- Check the antenna (aerial)/cable connection.
- Connect the TV to the AC power (mains), and press **I/⏻** on the TV or remote control.

**Some programmes cannot be tuned.**

- Check the antenna (aerial).

**The remote control does not function.**

- Replace the batteries.
- Your TV may be in SYNC mode.  
Press **SYNC MENU**, select [TV Control] and then select [Home (Menu)] or [Options] to control the TV.

**The [Parental Lock] password has been forgotten.**

- Enter 9999 for the PIN code. (PIN code 9999 is always accepted.)

**The TV surrounds become warm.**

- When the TV is used for an extended period, the TV surrounds become warm.  
You may feel hot when touching there by the hand.

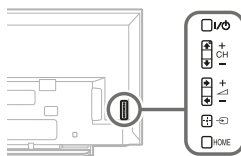
**Frozen audio or video, a blank screen, or the TV does not respond to TV or remote control buttons.**

- Perform a simple reset of the TV by unplugging the AC power cord (mains lead) for two minutes, then plug it in again.

**The **I/⏻**, **CH+/-**, **⏪ +/-**, **⏩ +/-**, **⏮**, **⏭** and **HOME** buttons cannot be located on the TV.**

- See below illustration for location of the buttons on the TV.

Rear of TV



**Cannot connect to a wireless router by WPS.**

- If you use WEP security, select [Easy] → [Wi-Fi] → [Connect by scan list]. Then, select the network name (SSID) you want to connect.

**Cannot find the required network name in network setup.**

- Select [[Manual Entry]] and press **⊕** to enter network name.

# Specifications

## System

### Panel system

LCD (Liquid Crystal Display) Panel, LED backlight

### TV system

Analogue: B/G, I, D/K, M, L

Digital: DTMB

### Colour/video system

Analogue: PAL, SECAM, NTSC3.58, NTSC4.43

Digital: Refer to the i-Manual

### Channel coverage

Analogue: UHF/VHF/Cable

Digital: UHF

### Sound output

8 W + 8 W

### Wireless technology

Protocol IEEE802.11a/b/g/n

## Input/Output jacks

### Antenna (aerial)/cable

75 ohm external terminal for VHF/UHF

### VIDEO IN 1

Video/Audio input (phono jacks)

### COMPONENT IN

YPbPr (Component Video): 1080p (50, 60 Hz), 1080i (50, 60 Hz), 720p (50, 60 Hz), 576p, 576i, 480p, 480i

Audio input (phono jacks)

### VIDEO IN 2

Video input (common phono pin with Y input)

### HDMI IN 1, 2, 3, 4

Video: 1080p (30, 50, 60 Hz), 1080/24p, 1080i (50, 60 Hz), 720p (30, 50, 60 Hz), 720/24p, 576p, 576i, 480p, 480i, PC Formats  
Audio: 5.1 channel linear PCM: 32, 44.1 and 48 kHz, 16, 20 and 24 bits, Dolby Digital  
ARC (Audio Return Channel) (HDMI IN 2 only)

### MHL (common with HDMI IN 1)

Video: 1080p (30 Hz), 1080/24p, 1080i (50, 60 Hz), 720p (30, 50, 60 Hz), 720/24p, 576p, 576i, 480p, 480i

Audio: 5.1 channel linear PCM: 32, 44.1 and 48 kHz, 16, 20 and 24 bits, Dolby Digital

### DIGITAL AUDIO OUT (OPTICAL)

Digital optical jack (Two channel linear PCM, Dolby Digital)

### HDMI 3 AUDIO IN

Analogue audio input (stereo mini jack)

### AUDIO OUT

Audio output (stereo mini jack)

Headphone jack

(supports Subwoofer out)

### USB 1, 2

USB port

### DC IN 19.5 V

AC adapter input

### LAN

10BASE-T/100BASE-TX connector (Depending on the operating environment of the network, connection speed may differ. 10BASE-T/100BASE-TX communication rate and communication quality are not guaranteed for this TV.)

## Others

### Optional accessories

Wall-Mount Bracket: SU-WL450

Camera and Microphone Unit: CMU-BR200/  
CMU-BR100

Wireless subwoofer: SWF-BR100

MHL cable: DLC-MB10/DLC-MB20/DLC-MC10/  
DLC-MC20

### Operating temperature

0 °C – 40 °C

### Operating humidity

10 % – 80 % RH (non-condensing)

## Power and others

### Power requirements

19.5 V DC with AC adapter

Rating: Input 220 V - 240 V AC, 50 Hz

### Screen size (measured diagonally) (Approx.)

KDL-48W600B: 48 inches / 120.9 cm

KDL-40W600B: 40 inches / 101.6 cm

### Display resolution

1,920 dots (horizontal) × 1,080 lines (vertical)

### Power consumption

KDL-48W600B: 75 W

KDL-40W600B: 75 W

## Dimensions (Approx.) (w × h × d)

### with Table-Top Stand

KDL-48W600B: 1,086 × 675 × 181 mm

KDL-40W600B: 926 × 584 × 162 mm

### without Table-Top Stand

KDL-48W600B: 1,086 × 646 × 90 mm

KDL-40W600B: 926 × 556 × 89 mm

GB

## Mass (Approx.)

with Table-Top Stand

KDL-48W600B: 10.3 kg

KDL-40W600B: 7.9 kg

without Table-Top Stand

KDL-48W600B: 9.9 kg

KDL-40W600B: 7.4 kg

### Note

- Optional accessories availability depends on countries/region/TV model/stock.
- Design and specifications are subject to change without notice.
- This TV set incorporates MHL 2.

## Trademark information

- The terms HDMI and HDMI High-Definition Multimedia Interface, and the HDMI Logo are trademarks or registered trademarks of HDMI Licensing LLC in the United States and other countries.
- DLNA®, the DLNA Logo and DLNA CERTIFIED® are trademarks, service marks, or certification marks of the Digital Living Network Alliance.
- Manufactured under license from Dolby Laboratories.  
Dolby and the double-D symbol are trademarks of Dolby Laboratories.
- “BRAVIA” and BRAVIA are trademarks of Sony Corporation.
- TrackID is a trademark or registered trademark of Sony Mobile Communications AB.
- Gracenote, Gracenote eyeQ, Gracenote VideoID, Gracenote Video Explore, Gracenote MusicID, the Gracenote logo and logotype, and the “Powered by Gracenote” logo are either registered trademarks or trademarks of Gracenote in the United States and/or other countries.
- Opera® Devices SDK from Opera Software ASA. Copyright 1995-2014 Opera Software ASA. All rights reserved.
- Wi-Fi, Wi-Fi Direct and Miracast are trademarks or registered trademarks of Wi-Fi Alliance.
- “Sony Entertainment Network logo” and “Sony Entertainment Network” are trademarks of Sony Corporation.
- MHL, Mobile High-Definition Link and the MHL Logo are trademarks or registered trademarks of MHL Licensing, LLC.

- For DTS patents, see <http://patents.dts.com>. Manufactured under license from DTS Licensing Limited. DTS, the Symbol, & DTS and the Symbol together are registered trademarks, and DTS Digital Surround is a trademark of DTS, Inc. © DTS, Inc. All Rights Reserved.
- Designed with UEI Technology™ Under License from Universal Electronics Inc. Portions © UEI 2000 – 2013
- ©2014 RealNetworks, Inc. Patents Pending. All rights reserved. RealNetworks logo is a trademark of RealNetworks, Inc.



**real**networks.

GB

# 目錄

|                     |    |
|---------------------|----|
| 安全資訊 . . . . .      | 2  |
| 預先注意事項 . . . . .    | 4  |
| 連接其他設備 . . . . .    | 5  |
| 將電視機安裝在牆上 . . . . . | 6  |
| 故障排除 . . . . .      | 10 |
| 故障及解決方案 . . . . .   | 10 |
| 規格 . . . . .        | 11 |

## 簡介

感謝您購買這項 Sony 產品。  
使用電視機之前，請詳閱本手冊，並保留下來以便將來參考。

### 註

- 使用電視機之前，請詳讀“安全資訊”(第2頁)。
- 有關“將電視機安裝在牆上”的指令已包含在這台電視機的說明手冊。
- 快速設定指南和本說明書中使用的影像和插圖僅作參考並可能與實際產品的外觀不同。

## 識別標籤的位置

電視機型號、電源等級的標籤(根據適用的安全規定)以及製造日期位於電視機背面。

本電視設計在香港使用，只保證能在香港使用。

## 安全資訊

### 警告

不可將電池曝露於如陽光、火或類似的過熱源。

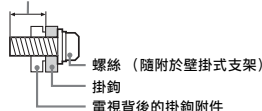
### 安裝 / 設定

為了避免火災、觸電或損壞及 / 或受傷等危險，請遵照下列指示來安裝和使用電視機。

#### 安裝

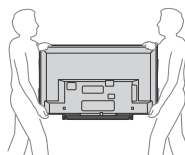
- 應將電視機安裝在易於插拔的 AC 電源插座附近。
- 將電視機擺在平穩的水平表面上，以防止傾倒而造成人員的傷害或者損及電視機。
- 僅可由合格的維修人員執行掛壁安裝。
- 為了安全起見，強烈建議您使用 Sony 配件，包括：  
    壁掛式支架  
    — SU-WL450
- 將掛牆式支架安裝於電視機上時，務必使用隨附於壁掛式支架的螺絲。隨附螺絲如插圖所示設計從壁掛式支架安裝表面量起。螺絲的直徑和長度會因為壁掛式支架的型號而有所不同。使用隨附螺絲以外的螺絲可能會造成電視機內部損壞或者掉落等等。

8 毫米 - 10 毫米



### 搬動

- 搬動電視機之前，請斷開所有訊號線的連接。
- 大尺寸電視機需要兩到三人搬動。
- 用手搬動電視機時，請如下圖所示抓握。請勿對液晶面板以及螢幕周圍的框邊施加壓力。

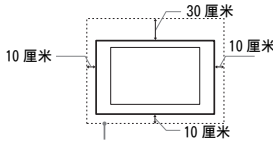


- 搬動電視機時，請勿使其受到搖晃或過度震動。
- 搬動電視機以進行維修或移動時，請使用原有的紙箱和包裝材料進行包裝。

### 通風

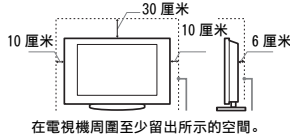
- 切勿遮擋通風孔或將任何物體插入機殼內。
- 如下圖所示，在電視機周圍保留通風空間。
- 強烈建議您使用 Sony 壁掛式支架以確保足夠的空氣流通。

## 安裝在牆壁上



在電視機周圍至少留出所示的空間。

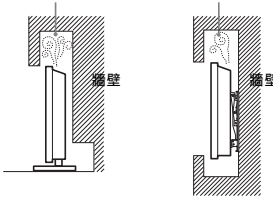
## 安裝在底座上



在電視機周圍至少留出所示的空間。

- 為了確保正確通風及防止積物或灰塵堆積：
  - 請勿將電視機平放、上面朝下安裝、向後安裝或側面安裝。
  - 請勿將電視機放置於架子、地毯、床或壁櫥中。
  - 請勿用布（如窗簾）或物件（如報紙等）覆蓋電視機。
  - 請勿如下圖所示安裝電視機。

空氣流通被阻擋。



## AC 電源線

為了避免火災、觸電或損壞及 / 或受傷等危險，請遵照下列指示來處理 AC 電源線和插座：

- 請僅使用 Sony 隨附的 AC 電源線，不要使用其它品牌的電源線。
- 將插頭完全插入 AC 電源插座。
- 僅可在 220-240 V AC 電源上使用電視機。
- 連接訊號線時，為了安全起見請務必拔下 AC 電源線，以免被訊號線絆到腳。
- 在進行作業或移動電視機之前，請從 AC 電源插座上斷開 AC 電源線的連接。
- 保持 AC 電源線遠離熱源。
- 拔下 AC 電源插頭，定期進行清潔。如果插頭上有積灰並帶有濕氣，則其絕緣品質可能已經劣化，並可能會造成火災。

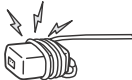
## 註

- 請勿在任何其它設備上使用所隨附的 AC 電源線。
- 請勿過度擰轉、彎曲或扭轉 AC 電源線。否則線芯可能會曝露在外或折斷。
- 請勿改裝 AC 電源線。
- 請勿將任何重物放在 AC 電源線上。
- 斷開 AC 電源線連接時，請勿拉扯 AC 電源線。
- 請勿在相同的 AC 電源插座上連接太多設備。
- 請勿使用不適當的 AC 電源插座。

## AC 電源供應器的注意事項

### 警告

- 為了減低火災或觸電的風險，請勿讓本裝置暴露於雨水或濕氣中。
- 為了避免火災或觸電的危險，請勿將盛裝液體的物體，例如花瓶放在裝置上。
- 請勿將本設備安裝在狹窄封閉的空間，例如書架或類似裝置。
- 請確保將 AC 電源插座安裝在設備附近並易於插拔。
- 請務必使用隨附的 AC 電源供應器和 AC 電源線。否則這可能導致故障。
- 將 AC 電源供應器連接至易於插拔的 AC 電源插座。
- 請勿將 AC 電源線盤繞在 AC 電源供應器上。芯線可能折斷並（或）導致電視機故障。



- 手濕時請勿觸碰 AC 電源供應器。
- 如果您發現 AC 電源供應器異常，立刻將 AC 電源供應器從 AC 電源插座拔下。
- 只要本機仍然連接至 AC 電源插座，即使本機已經關閉，AC 電源還是未切斷。
- 由於 AC 電源供應器在長時間使用後會發熱，用手觸摸時可能會感到熱。

## 使用限制

請勿在下列地點、環境或情況條件下安裝 / 使用電視機，否則電視機可能會發生故障並造成火災、觸電、損壞及 / 或受傷等危險。

### 地點：

- 室外（在直射的陽光中），海邊，船上或其他船隻上，車內，醫療機構中，不穩定的場所，靠近水、雨、濕氣或煙霧的地方。
- 如果放置電視機在公共浴室或溫泉的更衣室內，電視機可能會被空降硫磺等損壞。



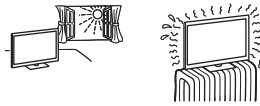
- 若要獲得最佳的畫面品質，請勿將螢幕放在直射光源或陽光下。
- 避免將電視機從寒冷的區域移至溫暖的區域。突然的室溫變化可能導致濕氣凝結。這可能造成電視機顯示劣質圖像及 / 或暗淡的顏色。如果發生這種情形，讓濕氣完全蒸發之後才開啟電視機。

### 環境：

- 炎熱、潮濕或太多灰塵的地方；昆蟲可能進入的地方；可能受到機械震動的地方；靠近易燃物體（蠟燭等）的地方。不應該讓液體滴瀝或噴濺電視機，而且裝滿液體的物體（例如花瓶）不應該擺在電視機上。
- 不要放置電視機在潮濕或多塵的空間，或有油煙或蒸氣的場所（靠近灶台或加濕器）。這可能導致火災、觸電或本機彎曲。



- 請勿將電視機安裝在會遭受極端溫度的位置，如陽光直射、靠近散熱器或加熱裝置通風孔的地方。電視機在這種環境下可能會過熱而導致外殼變形及 / 或電視機故障。



### 情況條件：

- 手濕，機殼拆除或採用非製造商所建議的配件時切勿使用本電視機。出現雷電時請將電視機電源線從 AC 電源插座和天線拔下。
- 不要把電視機安裝在延伸出開放的空間。這可能導致人或物體碰撞電視機而受傷或損壞。



### 打破電視機螢幕：

- 請勿讓任何物品丟向電視機。否則螢幕可能會因為受到撞擊而破裂並造成嚴重傷害。
- 如果電視機的表層破裂，在拔下 AC 電源線以前請勿觸摸它。否則可能導致觸電。

## 不使用時

- 如果您不使用電視機數天，為了環保和安全性，應將電視機電源線從 AC 電源插座上拔下。
- 關閉電視機電源時，電視機並未與 AC 電源斷開連接，請將插頭從 AC 電源插座上拔下以完全斷開電視機的電源連接。
- 但是，某些電視機可能具有需要將電視機保持在待命模式下才能正常工作的特點。

## 對於兒童

- 請勿讓兒童爬上電視機。
- 將體積小的配件放在兒童拿不到的地方，以便不會被兒童誤吞。

## 如果出現下列問題...

如果出現以下任何問題，請立刻關閉電視機並拔下 AC 電源線。  
請諮詢您的經銷商或 Sony 服務中心以交由合格的服務人員進行檢查。

當：

- AC 電源線損壞。
- AC 電源插座不適當。
- 電視機由於跌落、敲擊或撞擊而損壞。
- 任何液體或固體物件通過開口處掉入機殼內。

## 關於液晶螢幕溫度

長時間使用液晶螢幕時，面板周圍溫度會升高。  
用手觸摸這些地方時可能會覺得很燙。

## 預先注意事項

### 觀賞電視

- 請在適當光線條件下觀賞電視，因為在光線不足條件下或長時間觀賞電視會損傷您的眼睛。
- 使用耳機時，請調整音量以免音過高損傷聽力。

### LCD 螢幕

- 雖然 LCD 螢幕採用最精密技術製造且 99.99% 以上的畫素有效，但還是可能出現黑點或 LCD 螢幕上可能會經常出現亮點（紅、藍或綠色）。這是 LCD 螢幕的結構特性，並不是故障。
- 請勿按壓或刮傷前濾光面板或在電視機頂部放置物件。畫面可能會不均，或者 LCD 螢幕可能會損壞。
- 如果在寒冷地點使用本電視機，畫面上可能會出現模糊或變暗。這並不是故障，溫度上升後這些現象就會消失。
- 畫面靜止不動將會產生重影。片刻後該現象將消失。
- 電視機使用過程中，螢幕和機殼會變熱。這不是故障。
- LCD 螢幕包含少量液晶。請按照您當地的法規進行廢棄物處理。

### 使用和清潔電視機的螢幕表層 / 機殼

清潔前，務必將電視機的 AC 電源線從 AC 電源插座上斷開連接。  
為了避免物質或螢幕塗層剝離，請遵照下列預先注意事項。

- 若要擦去螢幕表層 / 機殼上的灰塵，請用軟布輕輕擦拭。如果灰塵較難除去，請用稍稍蘸有稀釋中性清潔溶劑的軟布進行擦拭。
- 絕對不能將水或清潔劑直接噴灑在電視上。液體可能滴落在螢幕的底部或外部零件上並滲入電視內，而毀壞電視。



- 切勿使用任何類型的磨砂墊、鹼性 / 酸性清潔劑、擦洗粉或揮發溶劑，如酒精、汽油、稀釋劑或殺蟲劑。使用上述材料或與橡膠或乙烯材料長時間接觸可能會造成螢幕表層和機殼材料的損壞。
- 建議您定期使用真空吸塵器清理通風口以確保通風順暢。
- 當調整電視機的角度時，請慢慢地調動以防電視機從其桌面型底座移動或滑落。

### 選購設備

將產生電磁輻射的選購元件或任何其他設備遠離電視機。否則可能會造成畫面失真及 / 或噪聲。

### 本機的無線功能

- 請勿在醫療設備（心臟起搏器等）附近操作本機，這將導致該醫療設備故障。
- 雖然本機發送 / 接收干擾信號，請小心未經授權的截取。我們不對此造成的任何問題負責。

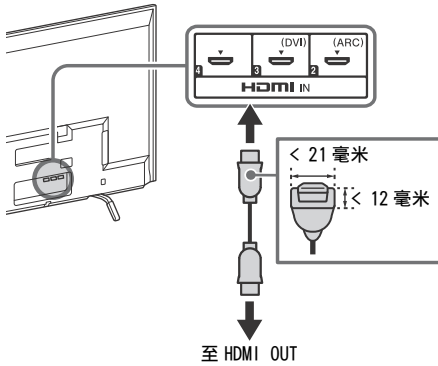
### 注意有關處理遠程控制

- 安裝電池時請注意正確的極性位置。
- 請勿同時使用不同類型的電池或混合使用新舊電池。
- 請以符合環境保護規定的方式來丟棄電池。特定地區可能有制訂廢棄電池的相關規定。請向您當地的主管機關查詢。
- 請小心拿取遙控器。請勿讓遙控器掉落或踩在遙控器上，或是讓任何液體灑到遙控器。
- 請勿將遙控器放置在接近熱源的地方，放置在受日光直射地方或潮濕的房間。

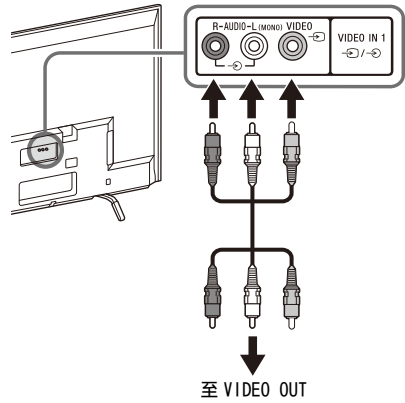


## 連接其他設備

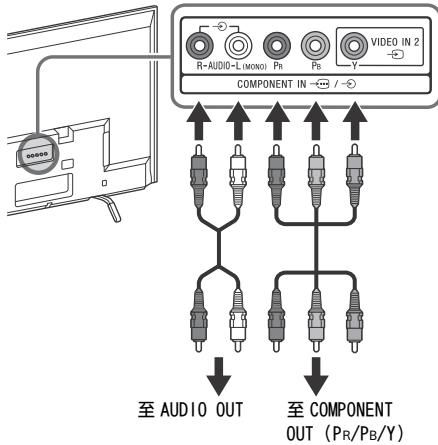
### 以 HDMI 連接線連接



### 以 AV 複合纜線連接



### 以色差纜線連接



CT

### 圖像品質

- AV 複合訊號線
- 天線的連接訊號線

- 色差訊號線

- HDMI 訊號線



標準清晰度 (SD) 視訊圖像信號的垂直解析度為 480 (NTSC) 或 576 (PAL/SECAM) 條線。

高清晰度 (HD) 視訊圖像信號的垂直解析度為 720 或 1080 條線。

## 將電視機安裝在牆上

本電視機安裝手冊僅說明將電視機安裝到牆上前的安裝準備步驟。

致客戶：

基於保護產品和安全考量，Sony 強烈建議務必委由 Sony 經銷商或經授權的承包商進行電視機的安裝。請勿試圖自行安裝。

致 Sony 經銷商和承包商：

請在安裝、定期維修和檢查本產品時特別注意安全。

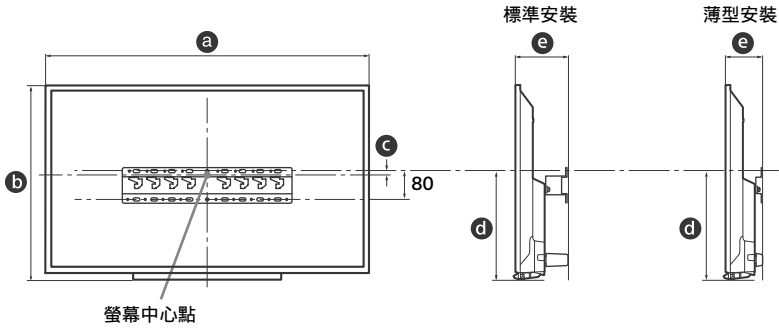
安裝本產品，尤其是在確定牆壁強度是否能夠支撐電視機重量方面，需要足夠的專業知識。將本產品安裝於牆上的工作務必委託 Sony 經銷商或經過授權的承包商進行，而且安裝時要特別注意安全。Sony 對於任何因為錯誤操作或不當安裝所造成的損壞或傷害恕不負責。

使用壁掛式支架 SU-WL450（非附件），將電視機安裝至牆壁上。安裝壁掛式支架時，亦請參閱壁掛式支架隨附的《操作手冊》及《安裝指南》。

註

- 如果桌面底座安裝於電視機，預先拆下桌面底座。請參閱快速設定指南，反向操作步驟以安裝桌面底座。
- 當固定壁掛式支架的附件，或從電視機上拆下桌面底座時，請將電視機屏幕面朝下放置在鋪有厚實軟布的穩定水平表面上，以防損壞 LCD 屏幕表面。
- 請務必將取下的螺絲放置在安全的地方，讓螺絲遠離兒童。

- 1 確保牆壁有足夠空間以及能支撐至少電視機四倍的重量。  
請參閱以下列表有關在牆上安裝電視機。請參閱第 11-12 頁（規格）有關電視機的重量。



單位：毫米

| 型號名稱<br>KDL- | 顯示幕   |     | 螢幕中心<br>尺寸 |     | 安裝的長度 |      |
|--------------|-------|-----|------------|-----|-------|------|
|              | a     | b   | c          | d   | e     |      |
|              |       |     |            |     | 標準安裝  | 薄型安裝 |
| 48W600B      | 1,086 | 646 | 29         | 305 | 152   | 111  |
| 40W600B      | 926   | 556 | 16         | 306 | 151   | 110  |

註

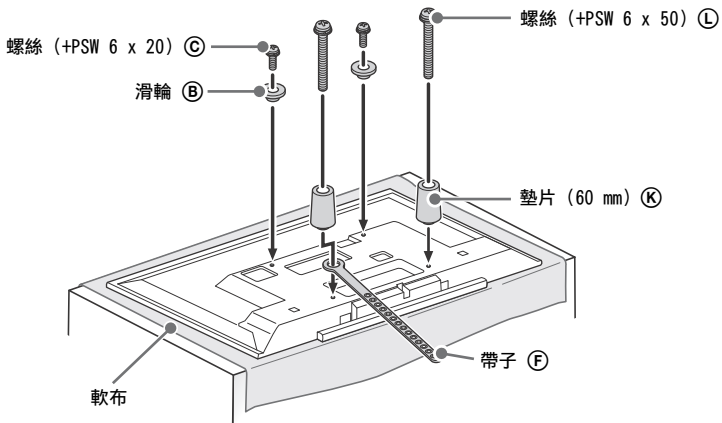
- 製表內的數字視安裝而可能略有不同。
- 當您的電視機安裝在牆上時，電視機的上部稍微向前傾。

- 2 安裝壁掛式支架的隨附附件。請參閱“壁掛式支架安裝指南”中的步驟“1”檢查隨附附件。

註

- 如果使用電動螺絲起子，請將扭矩設定為大約  $1.5 \text{ N} \cdot \text{m}$  {  $15 \text{ kgf} \cdot \text{cm}$  }。
- 確保將沒有使用的零件存放在安全的地方以供日後使用。保留本手冊以便將來參考。

標準安裝

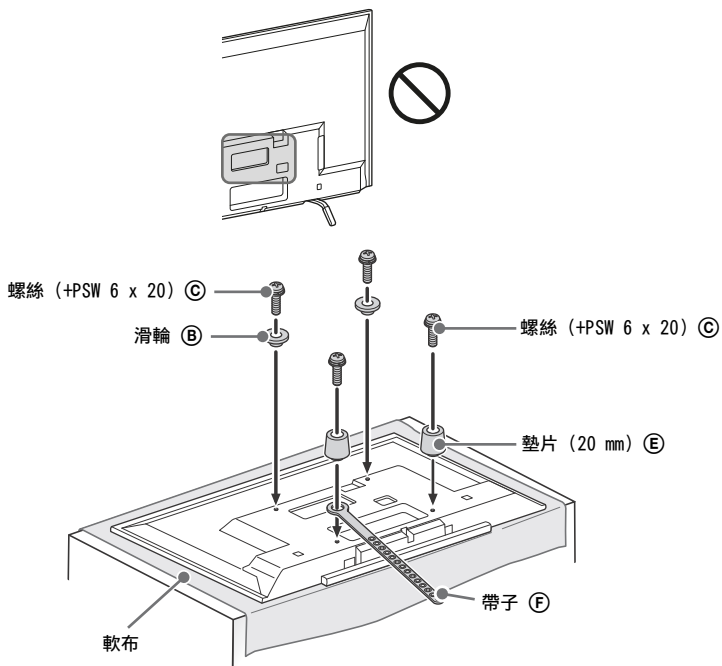


CT

## 薄型安裝

### 註

- 使用此安裝樣式時，無法使用電視機背面的部分端子。

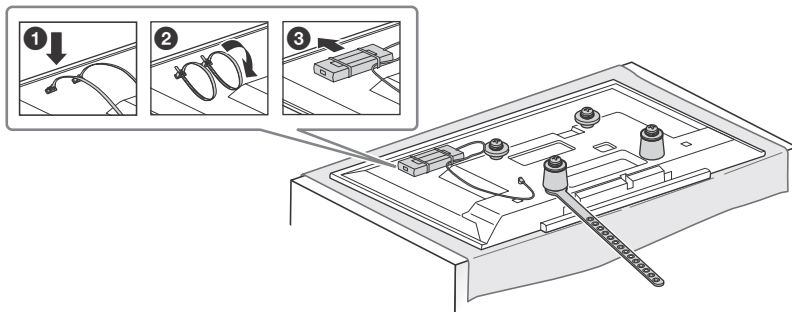


## 3 將必要纜線連接至電視機。

### 註

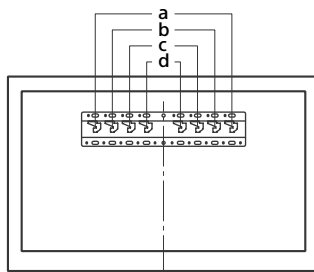
- 將電視機安裝至牆壁後，您將無法接觸任何端子。

## 4 使用纜線固定器 ④ (電視機隨附) 捆綁 AC 適配器。捆綁 AC 適配器時，確保標籤面朝外。



5 安裝電視機至基座。請參閱隨壁掛式支架一起提供的《操作手冊》之“安裝指南”和“將電視機安裝至牆壁”中的步驟“5”。

| 型號名稱 KDL- | 掛鉤位置 |
|-----------|------|
| 48W600B   | c    |
| 40W600B   |      |



請參閱符合您的電視機型號的壁掛式支架所附帶的指示將電視機安裝在牆上。

## 故障排除

當 LED 指示燈閃紅燈時，計算閃爍次數（間隔時間為三秒）。

如果 LED 指示燈閃紅燈，從電視機拔下 AC 電源線，待兩分鐘之後再打開電視機，以進行電視機重設。

如果問題仍然存在，請聯繫您的經銷商或 Sony 服務中心並告知 LED 指示燈閃紅燈的次數（間隔時間為三秒）。按電視機上的 I/⏻ 將其關閉，拔掉 AC 電源線，然後告訴您的經銷商或 Sony 服務中心。

當 LED 指示燈沒有閃爍，檢查以下列表中的項目。您也可參閱 i-Manual 中的 [ 故障排除 ] 或通過選擇 [ 說明 ] → [ 用戶支援 ] → [ 自行診斷 ] 以進行自行診斷。如果問題仍然存在，請將您的電視機交給合格的維修人員修理。

### 故障及解決方案

沒有畫面（螢幕是黑的）也沒有聲音。

- 檢查天線 / 訊號線連接。
- 將電視機連接至 AC 電源，然後按電視機或遙控器上的 I/⏻。

無法調諧某些節目。

- 檢查天線。

遙控器無效。

- 更換電池。
- 電視機可能處於 SYNC 模式。  
按 SYNC MENU，選擇 [ 電視控制 ] 然後選擇 [ 主選單 ] 或 [ 選項 ] 即可控制電視機。

忘記 [ 親子鎖碼 ] 密碼。

- PIN 碼輸入 9999。（PIN 碼 9999 總是可以接受。）

電視機周圍溫度升高。

- 當長時間使用電視機時，電視機周圍溫度會升高。  
用手觸摸這些地方時可能會覺得很燙。

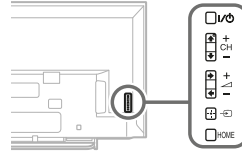
停頓音訊或視訊、空白螢幕或電視機對電視或遙控器按鈕沒有反應。

- 拔下 AC 電源線兩分鐘之後再次連接以進行簡單的電視機重設。

在電視機上找不到 I/⏻, CH+/-, ⏪ +/⏩, ▲/◆/◀/▶, ⏮, ⏭ 和 HOME 按鈕。

- 請參閱下圖有關電視機上按鈕的位置。

電視機背面



無法以 WPS 連接無線路由器。

- 如果您使用 WEP 安全加密，選擇 [ 簡易 ] → [ Wi-Fi ] → [ 依掃描清單連接 ]。然後，選擇您要連接的網絡名稱 (SSID)。

無法在網絡設定中找到所需的網絡名稱。

- 選擇 [ [ 手動輸入 ] ] 和按 ⊕ 以輸入網絡名稱。

# 規格

## 系統

### 面板系統

LCD (液晶顯示) 面板, LED 背光源

### 電視系統

類比: B/G, I, D/K, M, L

數位: DTMB

### 彩色 / 視訊系統

類比: PAL, SECAM, NTSC3.58, NTSC4.43

數位: 參閱功能操作教學

### 頻道涵蓋範圍

類比: UHF/VHF / 訊號線

數位: UHF

### 聲音輸出

8 瓦 + 8 瓦

### 無線技術

IEEE802.11a/b/g/n 協議

## 輸入 / 輸出插孔

### 天線 / 訊號線

VHF/UHF 的 75 歐姆外接端子

### VIDEO IN 1

視訊 / 音訊輸入 (Phono 插孔)

### COMPONENT IN

YPbPr (色差視頻): 1080p (50, 60 Hz), 1080i (50, 60 Hz), 720p (50, 60 Hz), 576p, 576i, 480p, 480i

音訊輸入 (Phono 插孔)

### VIDEO IN 2

視訊輸入 (備有 Y 輸入的常見 phono 針)

### HDMI IN 1, 2, 3, 4

視訊: 1080p (30, 50, 60 Hz), 1080/24p, 1080i (50, 60 Hz), 720p (30, 50, 60 Hz),

720/24p, 576p, 576i, 480p, 480i, PC 格式

音訊: 5.1 聲道線性 PCM: 32, 44.1 和 48kHz,

16, 20 和 24 位元, Dolby Digital

ARC (音頻回傳信道) (僅限 HDMI IN 2)

### MHL (與 HDMI 輸入 1 共用)

視訊: 1080p (30 Hz), 1080/24p, 1080i (50, 60 Hz), 720p (30, 50, 60 Hz),

720/24p, 576p, 576i, 480p, 480i

音訊: 5.1 聲道線性 PCM: 32, 44.1 和 48kHz,

16, 20 和 24 位元, Dolby Digital

### DIGITAL AUDIO OUT (OPTICAL)

數位光纖插孔 (兩聲道線性 PCM, Dolby Digital)

### HDMI 3 AUDIO IN

類比音訊輸入 (立體聲迷你插孔)

### AUDIO OUT

音訊輸出 (立體聲迷你插孔)

耳機插孔

(支援重低音揚聲器輸出)

ψ1, ψ2

USB 埠

DC IN 19.5 V

AC 適配器輸入

LAN

10BASE-T/100BASE-TX 接頭 (視網絡的作業環境而定, 連線速度可能不同。不保證本電視的 10BASE-T/100BASE-TX 通訊率和通訊品質。)

## 其他

### 選用的配件

壁掛式支架: SU-WL450

攝影機與麥克風組件: CMU-BR200/CMU-BR100

無線重低音揚聲器: SWF-BR100

MHL 訊號線: DLC-MB10/DLC-MB20/DLC-MC10/

DLC-MC20

### 作業溫度

0 °C - 40 °C

### 操作濕度

10% - 80% 相對濕度 (非凝)

## 電源和其他規格

### 電源需求

用 AC 適配器時為 19.5 V DC

額定: 輸入 220 V - 240 V AC, 50Hz

### 螢幕尺寸 (對角測量) (大約)

KDL-48W600B: 48 英寸 / 120.9 厘米

KDL-40W600B: 40 英寸 / 101.6 厘米

### 顯示解析度

1,920 點 (水平) × 1,080 條線 (垂直)

### 耗電量

KDL-48W600B: 75 瓦

KDL-40W600B: 75 瓦

### 尺寸 (大約) (寬 × 高 × 深)

#### 包含桌面底座

KDL-48W600B: 1,086 × 675 × 181 毫米

KDL-40W600B: 926 × 584 × 162 毫米

#### 不含桌面底座

KDL-48W600B: 1,086 × 646 × 90 毫米

KDL-40W600B: 926 × 556 × 89 毫米

## 質量 (大約)

#### 包含桌面底座

KDL-48W600B: 10.3 千克

KDL-40W600B: 7.9 千克

#### 不含桌面底座

KDL-48W600B: 9.9 千克

KDL-40W600B: 7.4 千克

### 註

- 選購配件的供應視國家 / 區域 / 電視機型號 / 存貨而定。
- 設計與規格可能變更而不事先通知。
- 本電視機採用 MHL 2。

## 商標資訊

- HDMI 和 HDMI High-Definition Multimedia Interface 專用名詞以及 HDMI 標誌是 HDMI Licensing LLC 在美國和其他國家的商標或註冊商標。
- DLNA®、DLNA 標誌和 DLNA CERTIFIED® 是 Digital Living Network Alliance 的商標、服務標誌或認證標誌。
- 本產品經過杜比實驗室的授權而製造。Dolby 和雙 D 記號是杜比實驗室的註冊商標。
- “BRAVIA” 和 BRAVIA 是 Sony Corporation 的商標。
- TrackID 是 Sony Mobile Communications AB 的商標或註冊商標。
- Gracenote、Gracenote eyeQ、Gracenote VideoID、Gracenote Video Explore、Gracenote MusicID、Gracenote 標誌和標誌字型以及 “Powered by Gracenote” 標誌是 Gracenote 在美國和 / 或其他國家的註冊商標或商標。
- Opera® Devices SDK from Opera Software ASA. Copyright 1995–2014 Opera Software ASA. All rights reserved.
- Wi-Fi, Wi-Fi Direct 和 Miracast 是 Wi-Fi Alliance 的商標或註冊商標。
- “Sony Entertainment Network logo” 和 “Sony Entertainment Network” 是 Sony Corporation 的商標。
- MHL、Mobile High-Definition Link 和 MHL 標誌是 MHL Licensing, LLC 的商標或註冊商標。
- 有關 DTS 專利，請參閱 <http://patents.dts.com>。由 DTS Licensing Limited 授權製造。DTS、其標誌、& DTS 連同其標誌是註冊商標，而 DTS Digital Surround 是 DTS, Inc. 的商標 © DTS, Inc.。
- Designed with UEI Technology™ Under License from Universal Electronics Inc. Portions © UEI 2000 – 2013
- ©2014 RealNetworks, Inc. 專利申請中。版權所有。RealNetworks 標誌是 RealNetworks, Inc 的商標。













Customer Support and Contact:

<http://www.sony-asia.com/support>

<http://www.sony.net/>

©2014 Sony Corporation Printed in Malaysia



\* 4 5 2 8 9 8 0 1 2 \* (1)

4-528-980-12(1)