

SONY[®]

Sound Bar

Operating Instructions

WARNING

The unit is not disconnected from the mains as long as it is connected to the AC outlet, even if the unit itself has been turned off.

To reduce the risk of fire, do not cover the ventilation opening of the appliance with newspapers, tablecloths, curtains, etc.

Do not expose the appliance to naked flame sources (for example, lighted candles).

To reduce the risk of fire or electric shock, do not expose this appliance to dripping or splashing, and do not place objects filled with liquids, such as vases, on the appliance.

As the main plug is used to disconnect the unit from the mains, connect the unit to an easily accessible AC outlet. Should you notice an abnormality in the unit, disconnect the main plug from the AC outlet immediately.

Do not install the appliance in a confined space, such as a bookcase or built-in cabinet.

Do not expose batteries or appliances with battery-installed to excessive heat, such as sunshine and fire.

Indoor use only.

Recommended cables

Properly shielded and grounded cables and connectors must be used for connection to host computers and/or peripherals.

For the Bar Speaker

The nameplate is located on the bottom.

Copyrights and Trademarks

This system incorporates Dolby* Digital and the DTS** Digital Surround System.

* Manufactured under license from Dolby Laboratories.

Dolby, and the double-D symbol are trademarks of Dolby Laboratories.

** For DTS patents, see <http://patents.dts.com>. Manufactured under license from DTS Licensing Limited. DTS, DTS-HD, the Symbol, & DTS and the Symbol together are registered trademarks of DTS, Inc. © DTS, Inc. All Rights Reserved.

The BLUETOOTH® word mark and logos are registered trademarks owned by Bluetooth SIG, Inc. and any use of such marks by Sony Corporation is under license.

This system incorporates High-Definition Multimedia Interface (HDMI™) technology. The terms HDMI and HDMI High-Definition Multimedia Interface, and the HDMI Logo are trademarks or registered trademarks of HDMI Licensing LLC in the United States and other countries.

The N Mark is a trademark or registered trademark of NFC Forum, Inc. in the United States and in other countries.

Android™ and Google Play™ are trademarks of Google Inc.

Apple, the Apple logo, iPhone, iPod, and iPod touch are trademarks of Apple Inc., registered in the U.S. and other countries. App Store is a service mark of Apple Inc.

“PlayStation®” is a registered trademark of Sony Computer Entertainment Inc.

Other trademarks and trade names are those of their respective owners.



“Made for iPod,” and “Made for iPhone” mean that an electronic accessory has been designed to connect specifically to iPod or iPhone, respectively, and has been certified by the developer to meet Apple performance standards. Apple is not responsible for the operation of this device or its compliance with safety and regulatory standards. Please note that the use of this accessory with iPod or iPhone may affect wireless performance.

Compatible iPod/iPhone models

The compatible iPod/iPhone models are as follows. Update your iPod/iPhone with the latest software before using with the system.

BLUETOOTH technology works with:

iPhone 6 Plus/iPhone 6/iPhone 5s/

iPhone 5c/iPhone 5/iPhone 4s/

iPhone 4/iPhone 3GS

iPod touch (5th generation)/iPod touch (4th generation)

“BRAVIA” logo is a trademark of Sony Corporation.

“DSEE” is a trademark of Sony Corporation.

“ClearAudio+” is a trademark of Sony Corporation.

“x.v.Color” and “x.v.Color” logo are trademarks of Sony Corporation.

About these operating instructions

- The instructions in these Operating Instructions describe the controls on the remote control. You can also use the controls on the main unit if they have the same or similar names as those on the remote control.
- Some illustrations are presented as conceptual drawings, and may be different from the actual products.

Table of Contents

Connecting ➔ Startup Guide (separate document)

| | | | |
|--|----|---|----|
| About these operating instructions | 4 | Saving power in standby mode | 19 |
| Listening | | Mounting the Bar Speaker on a wall | 20 |
| Listening to sound from a TV, Blu-ray Disc™ player, cable/satellite box, etc. | 6 | Installing the subwoofer horizontally (HT-CT380 only) | 22 |
| Listening to music from a BLUETOOTH device | 6 | Linking the system (Link to the subwoofer) | 22 |
| Sound Adjustment | | Additional Information | |
| Enjoying sound effects (Sports mode, etc.) | 9 | Precautions | 23 |
| BLUETOOTH Functions | | Troubleshooting | 24 |
| Controlling the system using a smartphone or tablet device (SongPal) | 10 | Guide to parts and controls | 29 |
| Viewing Copyright-protected 4K Content (HT-CT780 only) | | Supported audio formats | 33 |
| Connecting to a 4K TV and 4K devices | 12 | Specifications | 35 |
| Settings and Adjustments | | On BLUETOOTH communication | 37 |
| Using the setup display | 14 | END USER LICENSE AGREEMENT | 38 |
| Other Functions | | | |
| Using the Control for HDMI function | 17 | | |
| Using "BRAVIA" Sync features | 18 | | |
| Using the parental lock function | 19 | | |

Listening

Listening to sound from a TV, Blu-ray Disc™ player, cable/satellite box, etc.

Press INPUT repeatedly.

When you press INPUT once, the current device appears on the front display, then each time you press INPUT, the device changes cyclically as follows.

[TV] → [HDMI 1] → [HDMI 2] → [HDMI 3] → [ANALOG] → [BT]

[TV]

Digital device that is connected to the DIGITAL IN (TV) jack or TV compatible with the Audio Return Channel function that is connected to HDMI OUT (ARC) jack

[HDMI 1] [HDMI 2] [HDMI 3]

Blu-ray Disc player, etc. that is connected to the HDMI IN 1, 2, or 3 jack

[ANALOG]

Analog device that is connected to the ANALOG IN jack

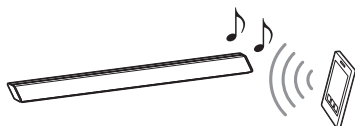
[BT]

BLUETOOTH device that supports A2DP

Tip

- If the BLUETOOTH functions are disabled, [BT OFF] appears instead of [BT].

Listening to music from a BLUETOOTH device



Pairing this system with a BLUETOOTH device

Pairing is the process required to create a link between BLUETOOTH devices to allow wireless connection. You must pair a device with the system before you start using the system.

Once BLUETOOTH devices are paired, there is no need to pair them again.

- 1 Press PAIRING on the system.**
The BLUETOOTH indicator (blue) flashes quickly during BLUETOOTH pairing.
- 2 Turn on the BLUETOOTH function on the BLUETOOTH device, search for devices and select this system (HT-CT380 or HT-CT780).**
If a Passkey is requested, enter "0000."
- 3 Make sure that the BLUETOOTH indicator (blue) lights up.**
Connection has been established.

Note

- You can pair up to 9 BLUETOOTH devices. If the 10th BLUETOOTH device is paired, the least recently connected device will be replaced by the new one.

Tip

- Once the BLUETOOTH connection is established, an indication recommending which application to download will be displayed, according to what equipment you have connected. Following the instructions displayed, an application called "SongPal," which will enable you to operate this system, can be downloaded. Refer to "Controlling the system using a smartphone or tablet device (SongPal)" (page 10).

Listening to music of the registered device

- 1 Press INPUT repeatedly to display [BT].**
The BLUETOOTH indicator (blue) flashes during attempting BLUETOOTH pairing.
- 2 On the BLUETOOTH device, select this system (HT-CT380 or HT-CT780).**
- 3 Make sure that the BLUETOOTH indicator (blue) lights up.**
- 4 Start playback on the BLUETOOTH device.**

Connecting to a BLUETOOTH device by One-touch functions (NFC)

By holding an NFC-compatible remote device near to the N-Mark on the system, the system and remote device proceed to complete pairing and the BLUETOOTH connection automatically.

Compatible remote devices

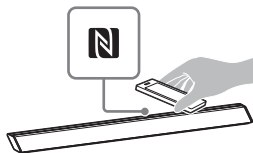
Remote devices with a built-in NFC function
(OS: Android 2.3.3 or later, excluding Android 3.x)

- 1 Download, install, and start the "NFC Easy Connect" application.**

**Note**

- The application may not be available in some countries/regions.

- 2 Hold the remote device near to the N-Mark on the system until the remote device vibrates.**



- 3 Make sure that the BLUETOOTH indicator (blue) lights up.**
Connection has been established.

Notes

- You can connect only one device at a time.
- Depending on a smartphone, you may need to set the NFC function to on beforehand. Refer to the operating instructions of the smartphone.

Tip

- If pairing and the BLUETOOTH connection fail, do the following.
 - Relaunch “NFC Easy Connect” and move the remote device slowly over the N-Mark.
 - Remove the case from the remote device if using a commercially available remote device case.

Sound Adjustment

Enjoying sound effects (Sports mode, etc.)

You can easily enjoy pre-programmed sound fields that are tailored to different kinds of sound sources.

Selecting the sound field

Press SOUND FIELD repeatedly until the desired sound field appears on the front panel display.

[CLEARAUDIO+]

The suitable sound setting is automatically selected for the sound source.

[STANDARD]

Corresponds to every source.

[MOVIE]

Sounds are played back with surround effects, and they are realistic and powerful, making them suitable for movies.

[SPORTS]

Commentary is clear, cheers are heard as surround-sound, and sounds are realistic.

[GAME]

Sounds are powerful and realistic, suitable for game play.

[MUSIC]

Sounds are played back to suit to a music program, music Blu-ray Disc, or DVD.

[P.AUDIO (Portable audio)]

Sounds are played back to suit to a portable music player using DSEE*.

* DSEE stands for Digital Sound Enhancement Engine, a high range compensation and fine sound restoration technology developed independently by Sony.

Setting the Night mode

Sounds are played back enhanced with sound effects and clarity of dialog.

Press NIGHT to display [N. ON].

To inactivate the Night mode, press NIGHT to display [N. OFF].

Setting the Voice mode

The Voice mode helps make dialogs clearer.

Press VOICE repeatedly to display the desired type.

[TYPE 1]

Dialog range is outputted directly.

[TYPE 2]

Dialog range is stressed.

[TYPE 3]

The range of dialogue is highlighted, and in treble parts with low volume difficult to be discerned by the elderly are boosted.

BLUETOOTH Functions

Controlling the system using a smartphone or tablet device (SongPal)

"SongPal" is the application to operate the system with your smartphone or tablet, etc.

"SongPal" is available from either Google Play or App Store.

This function is enabled by setting [BT PWR] to [ON] (page 15). The default setting is [ON].

When using an Android device

- 1 Press I/⏻ (on/standby) on the remote control.**
The display of the Bar Speaker lights up.
- 2 Search for "SongPal" with the Android device and download that application.**
- 3 Run "SongPal" then follow the on-screen instructions.**

Tip

- If the display for NFC connection appears, see "One-Touch connection using the Android device with the NFC function built-in (NFC)."

- 4 After the BLUETOOTH connection display appears on the Android device, press PAIRING.**
The BLUETOOTH indicator (blue) flashes quickly during BLUETOOTH pairing.

- 5 Select this system (HT-CT380 or HT-CT780) from the BLUETOOTH device list of the Android device.**

When the connection has been established, the BLUETOOTH indicator (blue) lights up.

- 6 Operate the system with the display of the connected Android device.**

One-Touch connection using the Android device with the NFC function built-in (NFC)

- 1 Perform steps 1 to 3 of "When using an Android device."**
- 2 After the BLUETOOTH connection display appears on the Android device, touch the Android device with the N-Mark on the Bar Speaker.**
When the connection has been established, the BLUETOOTH indicator (blue) lights up.
- 3 Operate the system with the display of the Android device.**

When using an iPhone/iPod touch

- 1 Press I/⏻ (on/standby) on the remote control.**
The display of the Bar Speaker lights up.
- 2 Press PAIRING.**
The BLUETOOTH indicator (blue) flashes quickly during BLUETOOTH pairing.

- 3 Set the iPhone/iPod touch to pairing mode and select this system (HT-CT380 or HT-CT780) from the BLUETOOTH device list on the iPhone/iPod touch.**

When the connection has been established, the BLUETOOTH indicator (blue) of the Bar Speaker lights up.

- 4 Search for "SongPal" with the connected iPhone/iPod touch and download that application.**

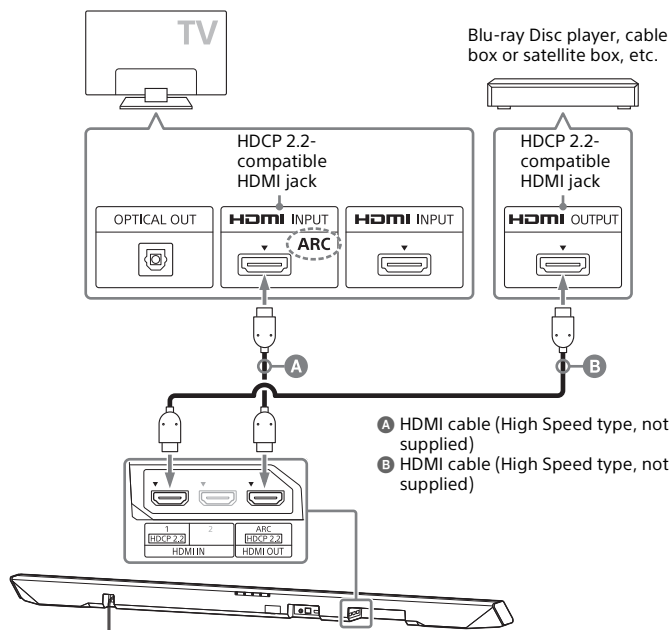
- 5 Run "SongPal" then operate the system with the display of the iPhone/iPod touch.**

Viewing Copyright-protected 4K Content (HT-CT780 only)

Connecting to a 4K TV and 4K devices

To view copyright-protected 4K content, connect the devices via an HDCP 2.2-compatible HDMI jack on each end. Copyright-protected 4K content can be viewed only by a connection via HDCP 2.2-compatible HDMI jacks. Refer to the TV's operating instructions as to whether or not the HDMI jack on the TV is HDCP 2.2-compatible.

When the TV's HDMI jack is HDCP 2.2-compatible and labeled with ARC

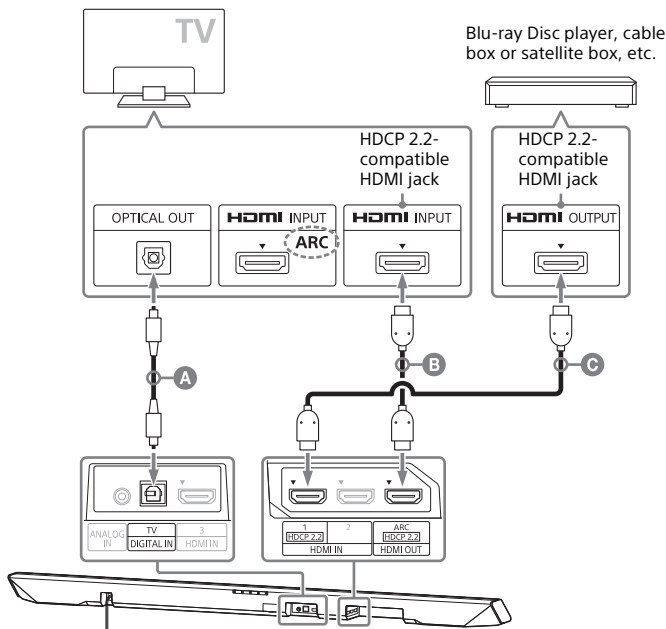


Tips

- The HDMI 1 INPUT jack of the Bar Speaker is compatible with HDCP 2.2.
- The ARC (Audio Return Channel) function sends digital sound from a TV to this system or an AV amplifier using just an HDMI cable.

When the TV's HDMI jack is HDCP 2.2-compatible and not labeled with ARC

Connect the optical digital cable to the optical output jack of the TV, and an HDMI cable to the HDCP 2.2-compatible HDMI input jack.



- A Optical digital cable (supplied)
- B HDMI cable (High Speed type, not supplied)
- C HDMI cable (High Speed type, not supplied)

Tip

- The HDMI 1 INPUT jack of the Bar Speaker is compatible with HDCP 2.2.

Using the setup display

You can set the following items with the menu.

Your settings are retained even if you disconnect the AC power cord (mains lead).

- 1** Press **MENU** to turn on the menu on the front panel display.
- 2** Press **BACK/▲ ▼ (select)/ENTER** repeatedly to select the item and press **ENTER** to decide the setting.
- 3** Press **MENU** to turn off the menu.

Menu list

The default settings are underlined.

| Menu items | Function |
|----------------------------------|--|
| [LEVEL] (Level) | [DRC] (Dynamic range control) |
| | Useful for enjoying movies at low sound volume. DRC applies to Dolby Digital sources. <ul style="list-style-type: none"> • [ON]: Compresses sound in accordance with the information contained in the content. • [AUTO]: Automatically compresses sound encoded in Dolby TrueHD. • [OFF]: Sound is not compressed. |
| [TONE] (Tone) | [BASS] (Bass) |
| | Adjusts the bass level. <ul style="list-style-type: none"> • The parameters range from [-6] to [+6] in 1-step increments. |
| | [TREBLE] (Treble) |
| | Adjusts the treble level. <ul style="list-style-type: none"> • The parameters range from [-6] to [+6] in 1-step increments. |
| [AUDIO] (Audio) | [SYNC] (AV sync) |
| | You can adjust the sound when the image and the sound are not in sync. <ul style="list-style-type: none"> • [ON]: Turns on the AV Sync function. • [OFF]: Turns off the AV Sync function. |
| | [DUAL] (Dual mono) |
| | You can enjoy multiplex broadcast sound when the system receives a Dolby Digital multiplex broadcast signal. <ul style="list-style-type: none"> • [M/S]: Main sound is output from the left speaker and sub sound is output from the right speaker. • [MAIN]: Outputs only the main channel. • [SUB]: Outputs only the sub channel. |
| | [EFFECT] (Sound effect) |
| | <ul style="list-style-type: none"> • [ON]: The sound of the selected sound field is played. It is recommended to use this setting. • [OFF]: The input source is down-mixed for 2 channels. |
| | Note |
| | <ul style="list-style-type: none"> • Even if [EFFECT] is set to [OFF], [EFFECT] is automatically set to [ON] when you change the sound field setting. |

| Menu items | | Function |
|--------------------------------|-------------------------------------|---|
| [AUDIO] (Audio) | [STREAM] (Stream) | Shows the current audio stream information. See page 34 on the supported audio formats. |
| [HDMI] | [CTRL] (Control for HDMI) | <ul style="list-style-type: none"> • [ON]: Turns on the Control for HDMI function. • [OFF]: Turns off the function. Select this setting when you want to connect a device not compatible with the Control for HDMI function. |
| | [S. THRU] (Standby-through) | <p>You can set the power saving mode of the HDMI standby-through function.</p> <ul style="list-style-type: none"> • [AUTO]: Outputs signals from the HDMI OUT jack of the system in standby mode according to the status of the TV. This setting saves power in standby mode compared with the [ON] setting. • [ON]: Always outputs signals from the HDMI OUT jack in standby mode. If any TV other than "BRAVIA" is connected, use the system with the [ON] setting. <p>Note</p> <ul style="list-style-type: none"> • This item appears only when [CTRL] is set to [ON]. |
| | [ARC] (Audio Return Channel) | <p>Set this item to listen to digital sound from a TV compatible with the Audio Return Channel (ARC) technology that is connected using a High Speed HDMI cable.</p> <ul style="list-style-type: none"> • [ON]: Turns on the ARC function. • [OFF]: Turns off the ARC function. <p>Note</p> <ul style="list-style-type: none"> • This item appears only when [CTRL] is set to [ON]. |
| [SET BT] (Set BLUETOOTH) | [BT PWR] (BLUETOOTH power) | <p>Turns on or off the BLUETOOTH function of this system.</p> <ul style="list-style-type: none"> • [ON]: Turns on the BLUETOOTH function. • [OFF]: Turns off the BLUETOOTH function. <p>Note</p> <ul style="list-style-type: none"> • If you change the setting to [OFF], the BLUETOOTH function is disabled. |
| | [BT.STBY] (BLUETOOTH standby) | <p>When the system has pairing information, the system is in BLUETOOTH standby mode even when it is turned off.</p> <ul style="list-style-type: none"> • [ON]: BLUETOOTH standby mode is enabled. • [OFF]: BLUETOOTH standby mode is disabled. <p>Note</p> <ul style="list-style-type: none"> • If the system does not have pairing information, BLUETOOTH standby mode cannot be set. |
| | [AAC] (Advanced audio coding) | <p>You can set whether or not the system uses AAC via BLUETOOTH.</p> <ul style="list-style-type: none"> • [ON]: The system uses AAC via BLUETOOTH. • [OFF]: The system does not use it. <p>Note</p> <ul style="list-style-type: none"> • If you change the setting when the system is connected with a BLUETOOTH device, the system will be disconnected from the device. |

| Menu items | | Function |
|--|-----------------------------|--|
| [SYSTEM] (System) | [A. STBY] (Auto standby) | You can reduce power consumption. The system enters standby mode automatically when you do not operate the system for about 20 minutes and the system is not receiving an input signal. <ul style="list-style-type: none"> • [ON]: Turns on the auto standby function. • [OFF]: Turns off the function. |
| | [VER] (Version) | The current firmware version information appears on the front panel display. |
| | [SYS.RST] (System reset) | You can reset menus and settings (sound fields, etc.) of the system to the initial status when it does not work properly (page 28). |
| | [UPDATE]* (Update) | Updates will be announced on the Sony website. Update the system following the instructions on the website. |
| [WS] (Wireless sound) | [LINK] | You can link the wireless sound system again (page 22). |
| | [RF CHK] (RF check) | You can check whether the wireless sound system of the system can communicate or not. <ul style="list-style-type: none"> • [OK]: The wireless sound system is working. • [NG]: The wireless sound system is not working. |

* HT-CT780 only

Using the Control for HDMI function

By using the Control for HDMI function, and connecting a device that is compatible with the Control for HDMI function via an HDMI cable (High Speed type), operation is simplified with the features below.

The Control for HDMI function is enabled by setting [CTRL (Control for HDMI)] to [ON] (page 15). The default setting is [ON].

Control for HDMI is a mutual control function standard used by HDMI CEC (Consumer Electronics Control) for HDMI (High-Definition Multimedia Interface).

System Power Off

When you turn off the TV, the system and the connected device will turn off automatically.

System Audio Control

If you turn on the system while you are watching the TV, the TV sound will be output from the speakers of the system automatically.

The volume of the system will be adjusted when you adjust the volume using the TV's remote control.

If the TV sound was output from the speakers of the system the last time you watched the TV, the system will be turned on automatically when you turn on the TV again.

Audio Return Channel (ARC)

If the TV is compatible with the Audio Return Channel (ARC) technology, an HDMI cable connection will allow you to

listen to the TV sound from the speakers of the system.

The ARC function is enabled by setting [ARC (Audio return channel)] to [ON] (page 15). The default setting is [ON].

One-Touch Play

When you activate the device (Blu-ray Disc player, "PlayStation®4," etc.) connected to the system with a High Speed HDMI cable, the connected TV is turned on automatically and the input signal of the system is switched to the appropriate HDMI input.

Home Theatre Control

If a Home Theatre Control-compatible TV is connected to the system, the system menu appears on the connected TV. You can switch an input of the system or switch sound fields by using the remote control of your TV. You can also adjust the settings of voice level, subwoofer volume, treble, bass, night mode, Dual Mono, or A/V Sync. Your TV must be able to access a broadband service to use the Home Theatre Control function.

Notes

- The above features may not operate with certain device.
- Depending on the settings of the connected device, the Control for HDMI function may not work correctly. Refer to the operating instructions of the device.

Using "BRAVIA" Sync features

The original Sony functions listed below can also be used with products that are compatible with "BRAVIA" Sync.

Power save

If a "BRAVIA" Sync-compatible TV is connected to the system, the power consumption will be reduced in standby mode by stopping HDMI signal transmission when the TV is turned off with the HDMI standby-through function* of the system set to [AUTO] (page 15). The default setting is [AUTO]. If any TV other than "BRAVIA" is connected, set the item to [ON] (page 15).

* The HDMI standby-through function is used to output the signals from the HDMI OUT jack of this system even if it is in standby mode.

Notes on HDMI connections

- Use a High Speed HDMI cable. If you use a Standard HDMI cable, 1080p, Deep Color, 3D, and 4K content may not be displayed properly.
- Use an HDMI-authorized cable. Use a Sony High Speed HDMI cable with the Cable Type Logo.
- We do not recommend using an HDMI-DVI conversion cable.
- Check the setup of the connected equipment if an image is poor or the sound does not come out of the equipment connected via the HDMI cable.
- Audio signals (sampling frequency, bit length, etc.) transmitted from an HDMI jack may be suppressed by the connected equipment.
- Sound may be interrupted when the sampling frequency or the number of

channels of audio output signals from the playback equipment is switched.

- If the connected equipment is not compatible with copyright-protection technology (HDCP), the image and/or the sound from the HDMI OUT jack of this system may be distorted or may not be output. In such a case, check the specifications of the connected equipment.
- When "TV" is selected as the input source of the system, video signals via one of the HDMI IN 1/2/3 jacks selected last time are output from the HDMI OUT jack.
- This system supports Deep Color, "x.v.Color," 3D, and 4K transmission.
- To enjoy 3D content, connect a 3D-compatible TV and video equipment (Blu-ray Disc player, "PlayStation®4," etc.) to the system using High Speed HDMI cables, put on 3D glasses, and then play back a 3D-compatible Blu-ray Disc, etc.
- To enjoy 4K content, the TV and players that are connected to the system must be compatible with 4K content.

Using the parental lock function

Buttons on the Bar Speaker, except for the **I/⏻** (on/standby) button, will be disabled.

Press INPUT on the Bar Speaker for about 5 seconds when the system is on.

[LOCKED] appears on the display.
To cancel the parental lock function, press INPUT again for about 5 seconds to display [UNLOCK].

Saving power in standby mode

Check that you have made the following settings:

- [CTRL] in [HDMI] is set to [OFF] (page 15).
- [S. THRU] in [HDMI] to [AUTO] (page 15).

Mounting the Bar Speaker on a wall

You can mount the Bar Speaker on a wall.

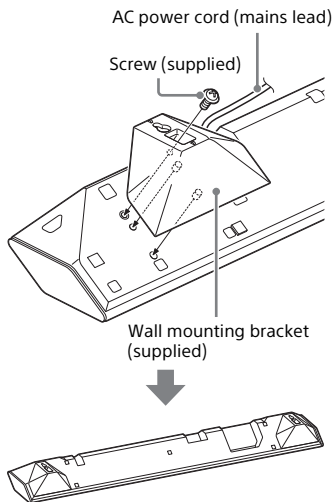
Notes

- Prepare screws (not supplied) that are suitable for the wall material and strength. As a plasterboard wall is especially fragile, attach the screws securely to two studs in the wall beam. Install the Bar Speaker horizontally, hung by screws in studs in a continuous flat section of the wall.
- Be sure to subcontract the installation to Sony dealers or licensed contractors and pay special attention to safety during the installation.
- Sony shall not be held responsible for accidents or damage caused by improper installation, insufficient wall strength, improper screw installation or natural calamity, etc.

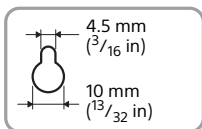
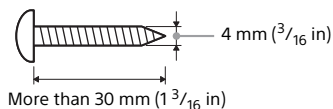
- 1 Fix the supplied wall mounting brackets to the bracket fixing holes on the bottom of the Bar Speaker with the supplied screws so that the surface of each wall mounting bracket is as shown in the illustration.

Fix the two wall mounting brackets to the left and right fixing holes on the bottom of the Bar Speaker.

Illustrative example: HT-CT780



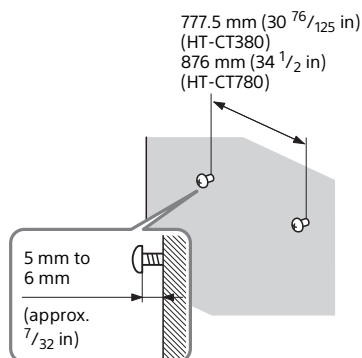
- 2 Prepare screws (not supplied) that are suitable for the holes in the brackets.**



Hole in the bracket

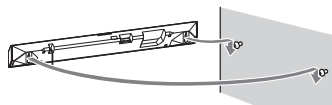
- 3 Fasten the screws to 2 studs in the wall.**

The screws should protrude by 5 mm to 6 mm (approx. $\frac{7}{32}$ in).



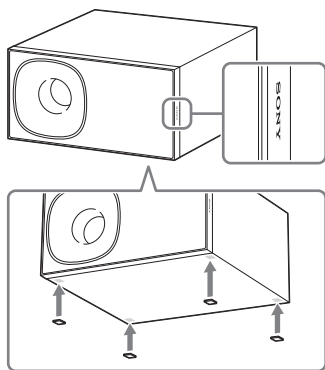
- 4 Hang the Bar Speaker on the screws.**

Align the holes in the brackets with the screws, then hang the Bar Speaker on the two screws.



Installing the subwoofer horizontally (HT-CT380 only)

Place the subwoofer on the right side with the "SONY" logo facing front.



Attach the supplied speaker pads.

Linking the system (Link to the subwoofer)

Set up the wireless subwoofer connection again.

- 1 Press MENU.**
- 2 Select [WS] with \blacktriangle \blacktriangledown (select), then press ENTER.**
- 3 Select [LINK] with \blacktriangle \blacktriangledown (select), then press ENTER.**
- 4 When [START] appears on the display, press ENTER.**
[SEARCH] appears, and the Bar Speaker searches for a device that can be used with Link. Proceed to the next step within 1 minute. To quit the Link function while searching for a device, press BACK.
- 5 Press LINK on the subwoofer.**
The on/standby indicator on the subwoofer lights up in green. [OK] appears on the display of the Bar Speaker.
If [FAILED] appears, check to ensure the subwoofer is turned on and perform the process again from step 1.
- 6 Press MENU.**
The menu turns off.

Precautions

On safety

- Should any solid object or liquid fall into the system, unplug the system and have it checked by qualified personnel before operating it any further.
- Do not climb on the Bar Speaker and subwoofer, as you may fall down and injure yourself, or system damage may result.

On power sources

- Before operating the system, check that the operating voltage is identical to your local power supply. The operating voltage is indicated on the nameplate on the bottom of the Bar Speaker.
- If you are not going to use the system for a long time, be sure to disconnect the system from the wall outlet (mains). To disconnect the AC power cord (mains lead), grasp the plug itself; never pull the cord.
- One blade of the plug is wider than the other for the purpose of safety and will fit into the wall outlet (mains) only one way. If you are unable to insert the plug fully into the outlet, contact your dealer.
- AC power cord (mains lead) must be changed only at a qualified service shop.

On heat buildup

Although the system heats up during operation, this is not a malfunction. If you continuously use this system at high volume, the system temperature at the rear and bottom rises considerably. To avoid burning yourself, do not touch the system.

On placement

- Place the system in a location with adequate ventilation to prevent heat

buildup and prolong the life of the system.

- Do not place the system near heat sources or in a place subject to direct sunlight, excessive dust, or mechanical shock.
- Do not place anything at the rear of the Bar Speaker and subwoofer that might block the ventilation holes and cause malfunctions.
- If the system is being used in combination with a TV, VCR, or tape deck, noise may result and picture quality may suffer. In such a case, place the system away from the TV, VCR, or tape deck.
- Use caution when placing the system on a surface that has been specially treated (with wax, oil, polish, etc.), as staining or discoloration of the surface may result.
- Take care to avoid any possible injury from the corners of the Bar Speaker and subwoofer.
- Keep 3 cm (1³/₁₆ in) or more space under the Bar Speaker when you hang it on a wall.

On operation

Before connecting other equipment, be sure to turn off and unplug the system.

If you encounter color irregularity on a nearby TV screen

Color irregularities may be observed on certain types of TV.

- If color irregularity is observed...
Turn off the TV, then turn it on again after 15 to 30 minutes.
- If color irregularity is observed again...
Place the system further away from the TV.

On cleaning

Clean the system with a soft, dry cloth. Do not use any type of abrasive pad, scouring powder, or solvent such as alcohol or benzine.

If you have any question or problem concerning your system, please consult your nearest Sony dealer.

Troubleshooting

If you experience any of the following difficulties while using the system, use this troubleshooting guide to help remedy the problem before requesting repairs. Should any problem persist, consult your nearest Sony dealer.

General

The power does not turn on.

- Check that the AC power cord (mains lead) is connected securely.

The system does not work normally.

- Disconnect the AC power cord (mains lead) from the wall outlet (mains), then reconnect after several minutes.

The system is turned off automatically.

- The auto standby function is working. Set [A. STBY] in [SYSTEM] to [OFF] (page 16).

Sound

No TV sound is output from the system.

- Repeatedly press the INPUT button on the remote control to display [TV] on the display (refer to the supplied Startup Guide).
- Turn on the TV first, then the system. Set the speakers setting of the TV (BRAVIA) to Audio System. Refer to the operating instructions of the TV for the TV setting.
- Check the connection of the HDMI cable, optical digital cable, or audio cable that is connected to the system and the TV (refer to the supplied Startup Guide).
- Increase the volume on the TV or cancel muting.

- When a TV compatible with the Audio Return Channel (ARC) technology is connected with an HDMI cable, make sure the cable is connected to the HDMI input (ARC) terminal of the TV. If sound is still not output or is dropped, connect the supplied optical digital cable and set [ARC] to [OFF] in the menu (page 15). (Refer to the supplied Startup Guide regarding the connection.)

- If the TV is not compatible with the Audio Return Channel (ARC) technology, connect the optical digital cable. TV sound is not output via an HDMI connection (refer to the supplied Startup Guide).

- If no sound is output from an optical digital output jack or the TV does not have an optical digital output jack, connect the cable box or satellite box directly to the DIGITAL IN (TV) jack of the system.


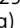
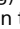
The sound is output from both the system and the TV.

- Turn off the sound of the TV.

The TV sound from this system lags behind the image.

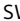
- If [SYNC] is set to [ON], set it to [OFF] (page 14).
- When you are watching movies, you may hear the sound with a slight delay from the image.

No sound or only a very low-level sound of the device connected to the Bar Speaker is heard from the Bar Speaker.

- Press the  (volume) + button on the remote control and check the volume level (page 29).
- Press the  (muting) or  (volume) + button on the remote control to cancel the muting function (page 29).

- Make sure the input source is selected correctly. You should try other input sources by pressing the INPUT button on the remote control several times (page 6).
- Check that all the cables and cords of the system and the connected device are firmly inserted.

No sound or only a very low-level sound is heard from the subwoofer.

- Press the SW  (subwoofer volume) + button on the remote control to increase the subwoofer volume (page 29).
- Make sure that the on/standby indicator on the subwoofer is lit in green. If not, refer to "No sound is heard from the subwoofer." in "Subwoofer wireless sound" (page 26).
- A subwoofer is for reproducing bass sound. In the case of input sources that contain very little bass sound components (i.e., a TV broadcast), the sound from the subwoofer may be difficult to hear.
- When you play content compatible with copyright protection technology (HDCP), it is not output from the subwoofer.

The surround effect cannot be obtained.

- Depending on the input signal and the sound field setting, surround sound processing may not work effectively. The surround effect may be subtle, depending on the program or disc.
- To play multi channel audio, check the digital audio output setting on the device connected to the system. For details, refer to the operating instructions supplied with the connected device.

BLUETOOTH device

BLUETOOTH connection cannot be completed.

- Make sure that the BLUETOOTH indicator (blue) is lit (page 29).

| System status | BLUETOOTH indicator (blue) |
|--|----------------------------|
| During BLUETOOTH pairing | Flashes quickly |
| The system is attempting to connect with a BLUETOOTH device | Flashes |
| The system has established connection with a BLUETOOTH device | Lit |
| The system is in BLUETOOTH standby mode (when the system is off) | Unlit |

- Make sure the BLUETOOTH device to be connected is turned on and the BLUETOOTH function is enabled.
- Bring this system and the BLUETOOTH device closer together.
- Pair this system and the BLUETOOTH device again. You may need to cancel the pairing with this system using your BLUETOOTH device first.
- If [BT PWR] of the system is set to [OFF], set to [ON] (page 15).

Pairing cannot be achieved.

- Bring this system and the BLUETOOTH device closer together (page 6).
- Make sure this system is not receiving interference from a wireless LAN equipment, other 2.4 GHz wireless devices, or a microwave oven. If a device that generates electromagnetic

radiation is nearby, move the device away from this system.

No sound is output from the connected BLUETOOTH device.

- Make sure that the BLUETOOTH indicator (blue) is lit (page 29).
- Bring this system and the BLUETOOTH device closer together.
- If a device that generates electromagnetic radiation, such as a wireless LAN equipment, other BLUETOOTH devices, or a microwave oven is nearby, move the device away from this system.
- Remove any obstacle between this system and the BLUETOOTH device or move this system away from the obstacle.
- Reposition the connected BLUETOOTH device.
- Try changing the wireless frequency of the Wi-Fi router, computer, etc. to 5 GHz band.
- Increase the volume on the connected BLUETOOTH device.

The sound is not in sync with the image.

- When you are watching movies, you may hear the sound with a slight delay from the image.

Subwoofer wireless sound

No sound is heard from the subwoofer.

- Check that the AC power cord (mains lead) of the subwoofer is connected properly.
- The on/standby indicator does not light.
 - Check that the AC power cord (mains lead) of the subwoofer is connected properly.
 - Press the I/⏻ (on/standby) button of the subwoofer to turn on the power.

- The on/standby indicator flashes slowly in green or lights in red.
 - Move the subwoofer to a location near the Bar Speaker so that the on/standby indicator lights in green.
 - Follow the steps in “Linking the system (Link to the subwoofer)” (page 22).
 - Check the communication status of the wireless sound system with [RF CHK] of the menu (page 16).
- The on/standby indicator flashes quickly in green.
 - Consult your nearest Sony dealer.
- The on/standby indicator flashes in red.
 - Press the I/⏻ (on/standby) button of the subwoofer to turn off the power and check whether the ventilation opening of the subwoofer is blocked or not.
- The subwoofer is designed for playback of bass sound. When the input source does not contain much of bass sound, as is the case with most TV programs, the bass sound may not be audible.
- Press the SW ▲ (subwoofer volume) + button on the remote control to increase the volume of the subwoofer (page 32).

Sound skips or has noise.

- If there is a device nearby that generates electromagnetic waves like a wireless LAN or a microwave oven in use, locate the system apart from it.
- If there is an obstacle between the Bar Speaker and the subwoofer, move or remove it.
- Locate the Bar Speaker and the subwoofer as close as possible.

- Switch the wireless LAN frequency of any nearby Wi-Fi router or personal computer to 5 GHz band.
- Switch the TV, Blu-ray Disc player, etc. from wireless LAN to wired LAN.

Remote control

The remote control does not function.

- Point the remote control at the center of the front panel (remote control sensor) of the system (page 29).
- Remove any obstacles in the path between the remote control and the system.
- Replace both batteries in the remote control with new ones, if they are weak.
- Make sure you are pressing the correct button on the remote control.

The TV remote control does not work.

- Install the Bar Speaker so that it does not obstruct the remote control sensor of the TV.

Others

The Control for HDMI function does not work properly.

- Check the HDMI connection (refer to the supplied Startup Guide).
- Set up the Control for HDMI function on the TV. Refer to the operating instructions supplied with the TV for TV setting.
- If you connect/disconnect the AC power cord (mains lead), wait more than 15 seconds before operating the system.
- Make sure that any device connected is compatible with "BRAVIA" Sync.
- Check the Control for HDMI settings on the connected device. Refer to

the operating instructions supplied with the connected device.

- If you connect the audio output of video device with the system, using a cable other than an HDMI cable, no sound may be output because of the Control for HDMI function. In such a case, set [CTRL (Control for HDMI)] in [HDMI] to [OFF] (page 15) or connect the cable from the audio output jack of the video device directly to the TV.
- The type and number of devices that can be controlled by the "BRAVIA" Sync feature is restricted by HDMI CEC standard as follows:
 - Recording devices (Blu-ray Disc recorder, DVD recorder, etc.): up to 3
 - Playback devices (Blu-ray Disc Player, DVD player, etc.): up to 3
 - Tuner-related devices: up to 4
 - Audio system (receiver/headphone): up to 1 (including this system)

No image is output from the TV when the Bar Speaker is in standby mode.

- Make sure [S. THRU] is set to [ON] (page 15).

If [PTECT (protect)] appears on the front panel display of the Bar Speaker

- Press the I/⏻ (on/standby) button on the Bar Speaker to turn off the system. After the display stops flashing, disconnect the AC power cord (mains lead) then check that nothing is blocking the ventilation holes of the Bar Speaker.

The front panel display of the Bar Speaker is not lit.

- Press DIMMER to set the brightness to bright or dark, if set to off (page 32).

Sensors of the TV do not work properly.

- The Bar Speaker may block some sensors (such as the brightness sensor) and the remote control receiver of your TV, or the “emitter for 3D glasses (infrared transmission)” of a 3D TV that supports the infrared 3D glass system or the wireless communication. Move the Bar Speaker away from the TV within a range that allow those parts to operate properly. For the locations of the sensors and remote control receiver, refer to the operating instructions supplied with the TV.

8 Link the system to the subwoofer (page 22).

Reset

If the system still does not operate properly, reset the system as follows:

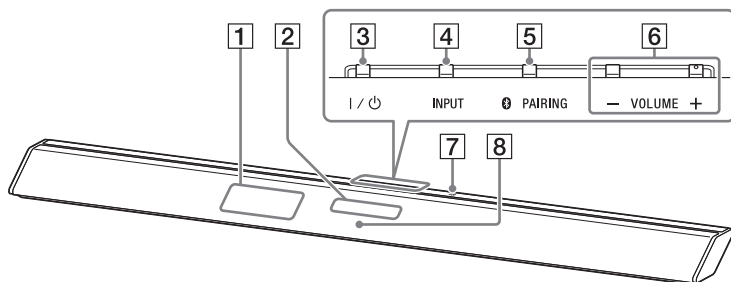
- 1** Press **I/⏻** (on/standby) to turn on the system.
- 2** Press **MENU**.
- 3** Select **[SYSTEM]** with **▲ ▼** (select), then press **ENTER**.
- 4** Select **[SYS.RST]** with **▲ ▼** (select), then press **ENTER**.
- 5** When **[START]** appears on the display of the Bar Speaker, press **ENTER**.
[RESET] appears on the display, and the settings of the menu and sound fields, etc. return to their initial status.
- 6** When **[RESET]** disappears, disconnect the AC power cord (mains lead).
- 7** Connect the AC power cord (mains lead), then press **I/⏻** (on/standby) to turn on the system.

Guide to parts and controls

For more information, refer to the pages indicated in parentheses.

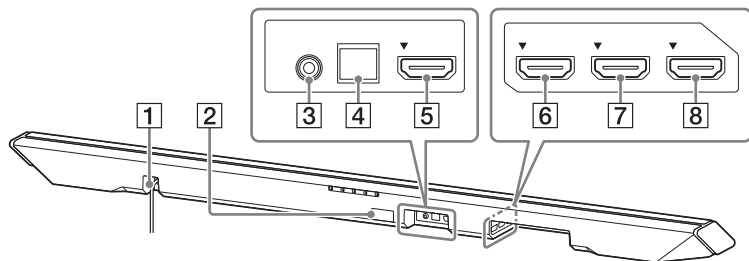
Bar Speaker

Front and top panels



- 1** Remote control sensor
- 2** Front panel display
- 3** I/⏻ (on/standby) button
- 4** INPUT button (page 6, 19)
- 5** PAIRING button (page 6)
- 6** VOLUME +/- buttons
- 7** N-Mark (page 7)
When using the NFC function, touch your NFC-compatible device to the mark.
- 8** BLUETOOTH indicator (blue)
BLUETOOTH status
 - During BLUETOOTH pairing: Flashes quickly
 - BLUETOOTH connection is being attempted: Flashes
 - BLUETOOTH connection has been established: Lit
 - BLUETOOTH standby mode (when the system is off): Unlit

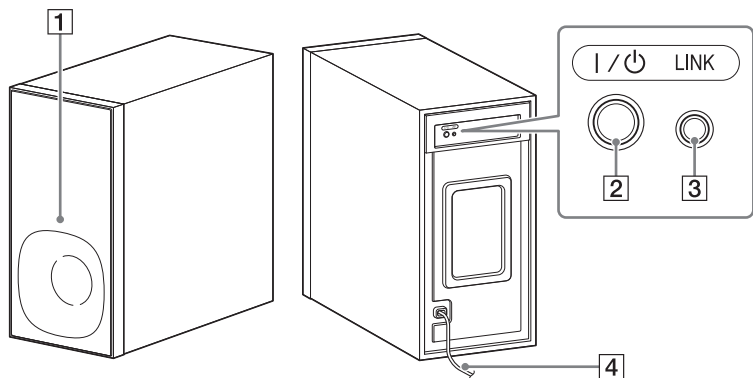
Rear panel



- 1** AC power cord (mains lead)
- 2** UPDATE port (HT-CT780 only)
For update only
- 3** ANALOG IN jack
- 4** DIGITAL IN (TV) jack
- 5** HDMI IN 3 jack

- 6** HDMI IN 1 jack
HT-CT780 is compatible with HDCP 2.2.
- 7** HDMI IN 2 jack
- 8** HDMI OUT (ARC) jack
HT-CT780 is compatible with HDCP 2.2.

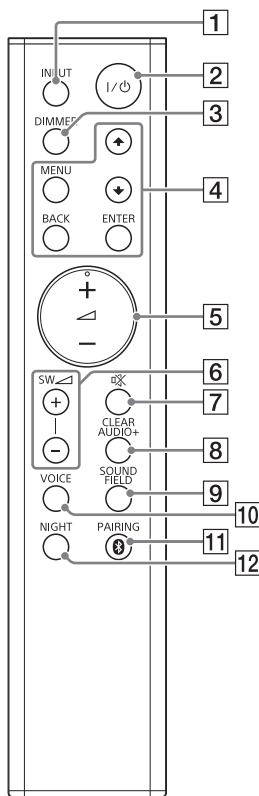
Subwoofer



- 1** On/standby indicator
- 2** I/⏻ (on/standby) button

- 3** LINK button (page 22)
- 4** AC power cord (mains lead)

Remote control



- 1** INPUT button (page 6)
- 2** I/⏻ (on/standby) button
- 3** DIMMER button
The display brightness can be switched.
Bright → Dark → Off

- When the display brightness is set to "Off," the display is turned off after the display shows operation status for several seconds.

- 4** MENU/▲▼ (select)/ENTER/BACK buttons (page 14)
Press ▲ or ▼ to select the menu items. Then press ENTER to enter the selection.
To return to the previous display, press BACK.
- 5** ▲ (volume) +*/- buttons
Adjusts the volume.
- 6** SW ▲ (subwoofer volume) +/- buttons
Adjusts the volume of bass sound.
- 7** ✖ (muting) button
Turns off the sound temporarily.
- 8** CLEARAUDIO+ button
Automatically selects the suitable sound setting for the sound source.
- 9** SOUND FIELD button (page 9)
Selects a sound mode.
- 10** VOICE button (page 9)
- 11** PAIRING button (page 6)
- 12** NIGHT button (page 9)

* The ▲ + button has a tactile dot. Use it as a guide during operation.

Supported audio formats

Digital audio input formats supported by the system

Audio formats supported by this system are as follows.

- Dolby Digital
- Dolby Digital Plus*
- Dolby TrueHD*
- DTS
- DTS96/24
- DTS-HD Master Audio*
- DTS-HD High Resolution Audio*
- DTS-HD Low Bit Rate*
- Linear PCM 2ch 48 kHz or less
- Linear PCM Maximum 7.1ch 192 kHz or less*

* It is possible to input these formats only with HDMI connection.

Video formats supported by the system

Input/Output (HDMI Repeater block)

| File | 2D | 3D | | |
|------------------------------|----|---------------|---------------------|-----------------------------|
| | | Frame packing | Side-by-Side (Half) | Over-Under (Top-and-Bottom) |
| 4096 × 2160p @ 59.94/60 Hz* | ○ | – | – | – |
| 4096 × 2160p @ 50 Hz* | ○ | – | – | – |
| 4096 × 2160p @ 23.98/24 Hz** | ○ | – | – | – |
| 3840 × 2160p @ 59.94/60 Hz* | ○ | – | – | – |
| 3840 × 2160p @ 50 Hz* | ○ | – | – | – |
| 3840 × 2160p @ 29.97/30 Hz** | ○ | – | – | – |
| 3840 × 2160p @ 25 Hz** | ○ | – | – | – |
| 3840 × 2160p @ 23.98/24 Hz** | ○ | – | – | – |
| 1920 × 1080p @ 59.94/60 Hz | ○ | – | ○ | ○ |
| 1920 × 1080p @ 50 Hz | ○ | – | ○ | ○ |
| 1920 × 1080p @ 29.97/30 Hz | ○ | ○ | ○ | ○ |
| 1920 × 1080p @ 25 Hz | ○ | ○ | ○ | ○ |
| 1920 × 1080p @ 23.98/24 Hz | ○ | ○ | ○ | ○ |
| 1920 × 1080i @ 59.94/60 Hz | ○ | ○ | ○ | ○ |
| 1920 × 1080i @ 50 Hz | ○ | ○ | ○ | ○ |
| 1280 × 720p @ 59.94/60 Hz | ○ | ○ | ○ | ○ |
| 1280 × 720p @ 50 Hz | ○ | ○ | ○ | ○ |
| 1280 × 720p @ 29.97/30 Hz | ○ | ○ | ○ | ○ |
| 1280 × 720p @ 23.98/24 Hz | ○ | ○ | ○ | ○ |
| 720 × 480p @ 59.94/60 Hz | ○ | – | – | – |
| 720 × 576p @ 50 Hz | ○ | – | – | – |
| 640 × 480p @ 59.94/60 Hz | ○ | – | – | – |

* YCbCr 4:2:0/Supported 8-bit only

** Supported 8-bit only

Specifications

Bar Speaker (SA-CT380, SA-CT780)

Amplifier section

POWER OUTPUT (rated)

Front L/Front R:

50 W (per channel at 4 ohms, 1 kHz, 1% THD)

POWER OUTPUT (reference)

SA-CT380:

Front L/Front R: 100 Watts (per channel at 4 ohms, 1 kHz)

SA-CT780:

Front L/Front R: 105 Watts (per channel at 4 ohms, 1 kHz)

Inputs

HDMI IN* 1/2/3

ANALOG IN

DIGITAL IN (TV)

Outputs

HDMI OUT** (ARC)

- * HT-CT380: The 1, 2, and 3 jacks are identical. Using any of them makes no difference.
- HT-CT780: The 1 jack supports HDCP 2.2 protocol. HDCP 2.2 is newly enhanced copyright protection technology that is used to protect content such as 4K movies. The 2 and 3 jacks are identical. Using any of them makes no difference.
- ** HT-CT780: The HDMI OUT jack supports HDCP 2.2 protocol. HDCP 2.2 is newly enhanced copyright protection technology that is used to protect content such as 4K movies.

HDMI Section

Connector

Type A (19pin)

BLUETOOTH section

Communication system

BLUETOOTH Specification version 3.0

Output

BLUETOOTH Specification Power Class 2

Maximum communication range

Line of sight approx. 10 m (33 ft)¹⁾

Maximum number of devices to be registered
9 devices

Frequency band

2.4 GHz band (2.4000 GHz - 2.4835 GHz)

Modulation method

FHSS (Freq Hopping Spread Spectrum)

Compatible BLUETOOTH profiles²⁾

A2DP 1.2 (Advanced Audio Distribution Profile)

AVRCP 1.3 (Audio Video Remote Control Profile)

Supported Codecs³⁾

SBC⁴⁾, AAC⁵⁾

Transmission range (A2DP)

20 Hz - 20,000 Hz (Sampling frequency 44.1 kHz)

- 1) The actual range will vary depending on factors such as obstacles between devices, magnetic fields around a microwave oven, static electricity, cordless phone, reception sensitivity, operating system, software application, etc.
- 2) BLUETOOTH standard profiles indicate the purpose of BLUETOOTH communication between devices.
- 3) Codec: Audio signal compression and conversion format
- 4) Subband Codec
- 5) Advanced Audio Coding

Front L/Front R speaker section

Speaker system

SA-CT380: Full range speaker system, Acoustic suspension

SA-CT780: 2-way speaker system, Acoustic suspension

Speaker

SA-CT380: 60 mm (2 ³/₈ in) cone type

SA-CT780: Woofer: 60 mm (2 ³/₈ in) cone type
Tweeter: 19 mm (³/₄ in) soft dome type

General

Power requirements

110 V - 240 V AC, 50 Hz/60 Hz

Power consumption

SA-CT380:

On: 37 W

Standby: 0.3 W or less

(at the Power saving mode,
see page 19)

Standby: 0.5 W or less

(When [S. THRU] is [ON]: 6 W or less)

SA-CT780:

On: 40 W

Standby: 0.3 W or less

(at the Power saving mode,
see page 19)

Standby: 0.5 W or less

(When [S. THRU] is [ON]: 6 W or less)

Dimensions (approx.) (w/h/d)

SA-CT380:

900 mm × 51 mm × 117 mm (35 1/2 in ×
2 1/8 in × 4 5/8 in) (without wall
mounting brackets)

900 mm × 120 mm × 72 mm (35 1/2 in ×
4 3/4 in × 2 7/8 in) (with wall mounting
brackets)

SA-CT780:

1,030 mm × 55 mm × 117 mm (40 5/8 in
× 2 1/4 in × 4 5/8 in) (without wall
mounting brackets)

1,030 mm × 120 mm × 74 mm (40 5/8 in
× 4 3/4 in × 3 in) (with wall mounting
brackets)

Mass (approx.)

SA-CT380: 2.4 kg (5 lb 4 5/8 oz)

SA-CT780: 2.8 kg (6 lb 2 3/4 oz)

Subwoofer (SA-WCT380, SA-WCT780)

POWER OUTPUT (reference)

SA-WCT380:

100 W (per channel at 4 ohms, 100 Hz)

SA-WCT780:

120 W (per channel at 4 ohms, 100 Hz)

Speaker system

Subwoofer system, Bass reflex

Speaker

SA-WCT380: 13 cm (5 1/4 in) cone type

SA-WCT780: 16 cm (6 1/2 in) cone type

Power requirements

110 V - 240 V AC, 50 Hz/60 Hz

Power consumption

SA-WCT380:

On: 20 W

Standby mode: 0.5 W or less

SA-WCT780:

On: 30 W

Standby mode: 0.5 W or less

Dimensions (approx.) (w/h/d)

SA-WCT380:

170 mm × 342 mm × 381 mm (6 3/4 in ×
13 1/2 in × 15 in) (vertical installation)

342 mm × 172 mm × 381 mm (13 1/2 in ×
6 7/8 in × 15 in) (horizontal installation)

SA-WCT780:

191 mm × 382 mm × 390 mm (7 5/8 in ×
15 1/8 in × 15 3/8 in)

Mass (approx.)

SA-WCT380: 6.6 kg (14 lb 8 3/4 oz)

SA-WCT780: 7.9 kg (17 lb 6 5/8 oz)

Wireless transmitter/ receiver section

Speaker system

Wireless Sound Specification version
2.0

Frequency band

2.4 GHz (2.4000 GHz - 2.4835 GHz)

Modulation method

Pi / 4 DQPSK

Design and specifications are subject to
change without notice.

On BLUETOOTH communication

- BLUETOOTH devices should be used within approximately 10 meters (33 feet) (unobstructed distance) of each other. The effective communication range may become shorter under the following conditions.
 - When a person, metal object, wall or other obstruction is between the devices with a BLUETOOTH connection
 - Locations where a wireless LAN is installed
 - Around microwave ovens that are in use
 - Locations where other electromagnetic waves occur
- BLUETOOTH devices and wireless LAN (IEEE 802.11b/g) use the same frequency band (2.4 GHz). When using your BLUETOOTH device near a device with wireless LAN capability, electromagnetic interference may occur. This could result in lower data transfer rates, noise, or inability to connect. If this happens, try the following remedies:
 - Use this system at least 10 meters (33 feet) away from the wireless LAN device.
 - Turn off the power to the wireless LAN device when using your BLUETOOTH device within 10 meters (33 feet).
 - Install this system and BLUETOOTH device as closer to each other as possible.
- The radio waves broadcast by this system may interfere with the operation of some medical devices. Since this interference may result in malfunction, always turn off the power

on this system and BLUETOOTH device in the following locations:

- In hospitals, on trains, in airplanes, at gas stations, and any place where flammable gasses may be present
 - Near automatic doors or fire alarms
- This system supports security functions that comply with the BLUETOOTH specification to ensure secure connection during communication using BLUETOOTH technology. However, this security may be insufficient depending on the setting contents and other factors, so always be careful when performing communication using BLUETOOTH technology.
 - Sony cannot be held liable in any way for damages or other loss resulting from information leaks during communication using BLUETOOTH technology.
 - BLUETOOTH communication is not necessarily guaranteed with all BLUETOOTH devices that have the same profile as this system.
 - BLUETOOTH devices connected with this system must comply with the BLUETOOTH specification prescribed by the Bluetooth SIG, Inc., and must be certified to comply. However, even when a device complies with the BLUETOOTH specification, there may be cases where the characteristics or specifications of the BLUETOOTH device make it impossible to connect, or may result in different control methods, display or operation.
 - Noise may occur or the audio may cut off depending on the BLUETOOTH device connected with this system, the communications environment, or surrounding conditions.

If you have any questions or problems concerning your system, please consult your nearest Sony dealer.

END USER LICENSE AGREEMENT

IMPORTANT:

BEFORE USING THE SOFTWARE, PLEASE READ THIS END USER LICENSE AGREEMENT ("EULA") CAREFULLY. BY USING THE SOFTWARE YOU ARE ACCEPTING THE TERMS OF THIS EULA. IF YOU DO NOT ACCEPT THE TERMS OF THIS EULA, YOU MAY NOT USE THE SOFTWARE.

This EULA is a legal agreement between you and Sony Corporation ("SONY"). This EULA governs your rights and obligations regarding the SONY software of SONY and/or its third party licensors (including SONY's affiliates) and their respective affiliates (collectively, the "THIRD-PARTY SUPPLIERS"), together with any updates/upgrades provided by SONY, any printed, on-line or other electronic documentation for such software, and any data files created by operation of such software (collectively, the "SOFTWARE").

Notwithstanding the foregoing, any software in the SOFTWARE having a separate end user license agreement (including, but not limited to, GNU General Public license and Lesser/Library General Public License) shall be covered by such applicable separate end user license agreement in lieu of the terms of this EULA to the extent required by such separate end user license agreement ("EXCLUDED SOFTWARE").

SOFTWARE LICENSE

The SOFTWARE is licensed, not sold. The SOFTWARE is protected by copyright and other intellectual property laws and international treaties.

COPYRIGHT

All right and title in and to the SOFTWARE (including, but not limited to, any images, photographs, animation, video, audio,

music, text and "applets" incorporated into the SOFTWARE) is owned by SONY or one or more of the THIRD-PARTY SUPPLIERS.

GRANT OF LICENSE

SONY grants you a limited license to use the SOFTWARE solely in connection with your compatible device ("DEVICE") and only for your individual, non-commercial use. SONY and the THIRD-PARTY SUPPLIERS expressly reserve all rights, title and interest (including, but not limited to, all intellectual property rights) in and to the SOFTWARE that this EULA does not specifically grant to you.

REQUIREMENTS AND LIMITATIONS

You may not copy, publish, adapt, redistribute, attempt to derive source code, modify, reverse engineer, decompile, or disassemble any of the SOFTWARE, whether in whole or in part, or create any derivative works from or of the SOFTWARE unless such derivative works are intentionally facilitated by the SOFTWARE. You may not modify or tamper with any digital rights management functionality of the SOFTWARE. You may not bypass, modify, defeat or circumvent any of the functions or protections of the SOFTWARE or any mechanisms operatively linked to the SOFTWARE. You may not separate any individual component of the SOFTWARE for use on more than one DEVICE unless expressly authorized to do so by SONY. You may not remove, alter, cover or deface any trademarks or notices on the SOFTWARE. You may not share, distribute, rent, lease, sublicense, assign, transfer or sell the SOFTWARE. The software, network services or other products other than SOFTWARE upon which the SOFTWARE'S performance depends might be interrupted or discontinued at the discretion of the suppliers (software suppliers, service suppliers, or SONY). SONY and such suppliers do not warrant that the SOFTWARE, network services, contents or other products will continue to be

available, or will operate without interruption or modification.

USE OF SOFTWARE WITH COPYRIGHTED MATERIALS

The SOFTWARE may be capable of being used by you to view, store, process and/or use content created by you and/or third parties. Such content may be protected by copyright, other intellectual property laws, and/or agreements. You agree to use the SOFTWARE only in compliance with all such laws and agreements that apply to such content. You acknowledge and agree that SONY may take appropriate measures to protect the copyright of content stored, processed or used by the SOFTWARE. Such measures include, but are not limited to, counting the frequency of your backup and restoration through certain SOFTWARE features, refusal to accept your request to enable restoration of data, and termination of this EULA in the event of your illegitimate use of the SOFTWARE.

CONTENT SERVICE

PLEASE ALSO NOTE THAT THE SOFTWARE MAY BE DESIGNED TO BE USED WITH CONTENT AVAILABLE THROUGH ONE OR MORE CONTENT SERVICES ("CONTENT SERVICE"). USE OF THE SERVICE AND THAT CONTENT IS SUBJECT TO THE TERMS OF SERVICE OF THAT CONTENT SERVICE. IF YOU DECLINE TO ACCEPT THOSE TERMS, YOUR USE OF THE SOFTWARE WILL BE LIMITED. You acknowledge and agree that certain content and services available through the SOFTWARE may be provided by third parties over which SONY has no control. USE OF THE CONTENT SERVICE REQUIRES AN INTERNET CONNECTION. THE CONTENT SERVICE MAY BE DISCONTINUED AT ANY TIME.

INTERNET CONNECTIVITY AND THIRD PARTY SERVICES

You acknowledge and agree that access to certain SOFTWARE features may require an Internet connection for which you are solely responsible. Further, you are solely

responsible for payment of any third party fees associated with your Internet connection, including but not limited to Internet service provider or airtime charges. Operation of the SOFTWARE may be limited or restricted depending on the capabilities, bandwidth or technical limitations of your Internet connection and service. The provision, quality and security of such Internet connectivity are the sole responsibility of the third party providing such service.

EXPORT AND OTHER REGULATIONS

You agree to comply with all applicable export and re-export restrictions and regulations of the area or country in which you reside, and not to transfer, or authorize the transfer, of the SOFTWARE to a prohibited country or otherwise in violation of any such restrictions or regulations.

HIGH RISK ACTIVITIES

The SOFTWARE is not fault-tolerant and is not designed, manufactured or intended for use or resale as on-line control equipment in hazardous environments requiring fail-safe performance, such as in the operation of nuclear facilities, aircraft navigation or communication systems, air traffic control, direct life support machines, or weapons systems, in which the failure of the SOFTWARE could lead to death, personal injury, or severe physical or environmental damage ("HIGH RISK ACTIVITIES"). SONY, each of the THIRD-PARTY SUPPLIERS, and each of their respective affiliates specifically disclaim any express or implied warranty, duty or condition of fitness for HIGH RISK ACTIVITIES.

EXCLUSION OF WARRANTY ON SOFTWARE

You acknowledge and agree that use of the SOFTWARE is at your sole risk and that you are responsible for use of the SOFTWARE. The SOFTWARE is provided "AS

IS," without warranty, duty or condition of any kind.

SONY AND EACH OF THE THIRD-PARTY SUPPLIERS (for purposes of this Section, SONY and each of the THIRD-PARTY SUPPLIERS shall be collectively referred to as "SONY") EXPRESSLY DISCLAIM ALL WARRANTIES, DUTIES OR CONDITIONS, EXPRESS OR IMPLIED, INCLUDING, BUT NOT LIMITED TO, THE IMPLIED WARRANTIES OF MERCHANTABILITY, NONINFRINGEMENT AND FITNESS FOR A PARTICULAR PURPOSE. SONY DOES NOT WARRANT OR MAKE ANY CONDITIONS OR REPRESENTATIONS (A) THAT THE FUNCTIONS CONTAINED IN ANY OF THE SOFTWARE WILL MEET YOUR REQUIREMENTS OR THAT THEY WILL BE UPDATED, (B) THAT THE OPERATION OF ANY OF THE SOFTWARE WILL BE CORRECT OR ERROR-FREE OR THAT ANY DEFECTS WILL BE CORRECTED, (C) THAT THE SOFTWARE WILL NOT DAMAGE ANY OTHER SOFTWARE, HARDWARE OR DATA, (D) THAT ANY SOFTWARE, NETWORK SERVICES (INCLUDING THE INTERNET) OR PRODUCTS (OTHER THAN THE SOFTWARE) UPON WHICH THE SOFTWARE'S PERFORMANCE DEPENDS WILL CONTINUE TO BE AVAILABLE, UNINTERRUPTED OR UNMODIFIED, AND (E) REGARDING THE USE OR THE RESULTS OF THE USE OF THE SOFTWARE IN TERMS OF ITS CORRECTNESS, ACCURACY, RELIABILITY, OR OTHERWISE.

NO ORAL OR WRITTEN INFORMATION OR ADVICE GIVEN BY SONY OR AN AUTHORIZED REPRESENTATIVE OF SONY SHALL CREATE A WARRANTY, DUTY OR CONDITION OR IN ANY WAY INCREASE THE SCOPE OF THIS WARRANTY. SHOULD THE SOFTWARE PROVE DEFECTIVE YOU ASSUME THE ENTIRE COST OF ALL NECESSARY SERVICING, REPAIR OR CORRECTION. SOME JURISDICTIONS DO NOT ALLOW THE EXCLUSION OF IMPLIED WARRANTIES, SO THESE EXCLUSIONS MAY NOT APPLY TO YOU.

LIMITATION OF LIABILITY

SONY AND EACH OF THE THIRD-PARTY SUPPLIERS (for purposes of this Section, SONY and each of the THIRD-PARTY SUPPLIERS shall be collectively referred to as "SONY") SHALL NOT BE LIABLE FOR ANY INCIDENTAL OR CONSEQUENTIAL DAMAGES FOR BREACH OF ANY EXPRESS OR IMPLIED WARRANTY, BREACH OF CONTRACT, NEGLIGENCE, STRICT LIABILITY OR UNDER ANY OTHER LEGAL THEORY RELATED TO THE SOFTWARE, INCLUDING, BUT NOT LIMITED TO, ANY DAMAGES ARISING OUT OF LOSS OF PROFITS, LOSS OF REVENUE, LOSS OF DATA, LOSS OF USE OF THE SOFTWARE OR ANY ASSOCIATED HARDWARE, DOWN TIME AND USER'S TIME, EVEN IF ANY OF THEM HAVE BEEN ADVISED OF THE POSSIBILITY OF SUCH DAMAGES. IN ANY CASE, EACH AND ALL OF THEIR AGGREGATE LIABILITY UNDER ANY PROVISION OF THIS EULA SHALL BE LIMITED TO THE AMOUNT ACTUALLY PAID FOR THE PRODUCT. SOME JURISDICTIONS DO NOT ALLOW THE EXCLUSION OR LIMITATION OF INCIDENTAL OR CONSEQUENTIAL DAMAGES, SO THE ABOVE EXCLUSION OR LIMITATION MAY NOT APPLY TO YOU.

AUTOMATIC UPDATE FEATURE

From time to time, SONY or the THIRD-PARTY SUPPLIERS may automatically update or otherwise modify the SOFTWARE, including, but not limited to, for purposes of enhancement of security functions, error correction and improvement of functions, at such time as you interact with SONY's or third parties' servers, or otherwise. Such updates or modifications may delete or change the nature of features or other aspects of the SOFTWARE, including, but not limited to, functions you may rely upon. You acknowledge and agree that such activities may occur at SONY's sole discretion and that SONY may condition continued use of the SOFTWARE upon your complete installation or acceptance of such update or modifications. Any updates/ modifications shall be deemed to be, and

shall constitute part of, the SOFTWARE for purposes of this EULA. By acceptance of this EULA, you consent to such update/modification.

ENTIRE AGREEMENT, WAIVER, SEVERABILITY

This EULA and SONY's privacy policy, each as amended and modified from time to time, together constitute the entire agreement between you and SONY with respect to the SOFTWARE. The failure of SONY to exercise or enforce any right or provision of this EULA shall not constitute a waiver of such right or provision. If any part of this EULA is held invalid, illegal, or unenforceable, that provision shall be enforced to the maximum extent permissible so as to maintain the intent of this EULA, and the other parts will remain in full force and effect.

GOVERNING LAW AND JURISDICTION

The United Nations Convention on Contracts for the International Sale of Goods shall not apply to this EULA. This EULA shall be governed by the laws of Japan, without regards to conflict of laws provisions. Any dispute arising out of this EULA shall be subject to the exclusive venue of the Tokyo District Court in Japan, and the parties hereby consent to the venue and jurisdiction of such courts.

EQUITABLE REMEDIES

Notwithstanding anything contained in this EULA to the contrary, you acknowledge and agree that any violation of or non-compliance with this EULA by you will cause irreparable harm to SONY, for which monetary damages would be inadequate, and you consent to SONY obtaining any injunctive or equitable relief that SONY deems necessary or appropriate in such circumstances. SONY may also take any legal and technical remedies to prevent violation of and/or to enforce this EULA, including, but not limited to, immediate termination of your use of the

SOFTWARE, if SONY believes in its sole discretion that you are violating or intend to violate this EULA. These remedies are in addition to any other remedies SONY may have at law, in equity or under contract.

TERMINATION

Without prejudice to any of its other rights, SONY may terminate this EULA if you fail to comply with any of its terms. In case of such termination, you must cease all use, and destroy any copies, of the SOFTWARE.

AMENDMENT

SONY RESERVES THE RIGHT TO AMEND ANY OF THE TERMS OF THIS EULA AT ITS SOLE DISCRETION BY POSTING NOTICE ON A SONY DESIGNATED WEB SITE, BY EMAIL NOTIFICATION TO AN EMAIL ADDRESS PROVIDED BY YOU, BY PROVIDING NOTICE AS PART OF THE PROCESS IN WHICH YOU OBTAIN UPGRADES/UPDATES OR BY ANY OTHER LEGALLY RECOGNIZABLE FORM OF NOTICE. If you do not agree to the amendment, you should promptly contact SONY for instructions. Your continued use of the SOFTWARE after the effective date of any such notice shall be deemed your agreement to be bound by such amendment.

THIRD-PARTY BENEFICIARIES

Each THIRD-PARTY SUPPLIER is an express intended third-party beneficiary of, and shall have the right to enforce, each provision of this EULA with respect to the SOFTWARE of such party.

Should you have any questions concerning this EULA, you may contact SONY by writing to SONY at applicable contact address of each area or country.

Copyright © 2014 Sony Corporation.

HDMI

<http://www.sony.net/>



* 4 5 6 5 1 2 3 7 3 * (1)