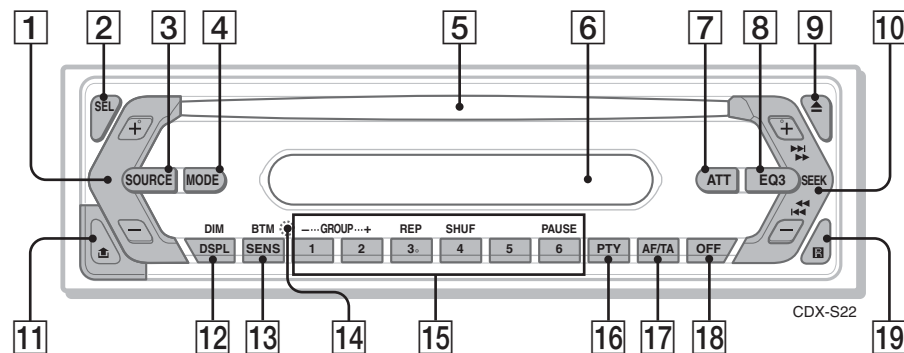


## Location of controls and basic operations



- 1 Volume +/- button**  
To adjust volume.
- 2 SEL (select) button**  
To select items.
- 3 SOURCE button**  
To power on; change the source (Radio/CD).
- 4 MODE button**  
To select the radio band (FM/MW/LW).
- 5 Disc slot**  
Insert the disc (label side up). Playback starts automatically.  
You can play CD-DA (also containing CD TEXT), CD-R/CD-RW (MP3 files also containing Multi Session) and ATRAC CD (ATRAC3 and ATRAC3plus format).
- 6 Display window**
- 7 ATT (attenuate) button**  
To attenuate the sound. To cancel, press again.
- 8 EQ3 (equalizer) button**  
To select an equalizer type (XPLOD, VOCAL, CLUB, JAZZ, NEW AGE, ROCK, CUSTOM or OFF).  
To adjust the equalizer curve, see "Customizing the equalizer curve" on the reverse side of this sheet.
- 9 (eject) button**  
To eject the disc.
- 10 SEEK +/- button**  
CD:  
To skip tracks (press); skip tracks continuously (press, then press again within about 1 second and hold); fast-forward/reverse a track (press and hold).  
Radio:  
To tune in stations automatically (press); find a station manually (press and hold).
- 11 (front panel release) button**
- 12 DSPL (display)/DIM (dimmer) button**  
To change display items (press); change the display brightness (press and hold).
- 13 SENS/BTM button**  
To improve weak reception: LOCAL/MONO (press); start the BTM function (press and hold).  
For details on the BTM function, see "Storing stations automatically" on this sheet.
- 14 RESET button** (located behind the front panel)  
Detach the front panel and press the RESET button with a pointed object, such as a ballpoint pen.  
**Notes**  
• Before operating the unit for the first time, or after replacing the car battery or changing the connections, you must reset the unit.  
• Pressing the RESET button will erase the clock setting and some stored contents.

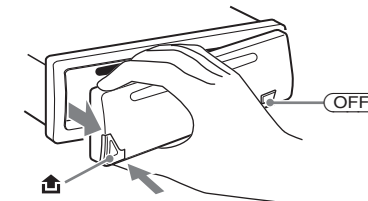
- 15 Number buttons**  
CD:  
①/②: **GROUP\*** -/+  
To skip groups (press); skip groups continuously (press and hold).  
③: **REP**  
④: **SHUF**  
⑥: **PAUSE**  
To pause playback. To cancel, press again.  
Radio:  
To receive stored stations (press); store stations (press and hold).
- 16 PTY (Programme Type) button**  
To select PTY in RDS. After pressing (PTY), press (SEEK) +/- to search for a station.
- 17 AF/TA button**  
AF (Alternative Frequencies)/TA (Traffic Announcement), TP (Traffic Programme):  
Each time you press (AF/TA), the item changes as follows:  
**AF-ON → TA-ON → AF, TA-ON → AF, TA-OFF**
- 18 OFF button**  
To power off; stop the source.
- 19 Receptor for the card remote commander**

**Warning if your car's ignition has no ACC position**  
After turning the ignition off, be sure to press and hold (OFF) on the unit until the display disappears. Otherwise, the display does not turn off and this causes battery drain.

## Detaching the front panel

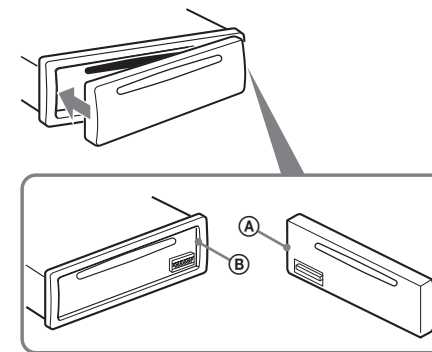
You can detach the front panel of this unit to prevent theft.

- 1 Press (OFF).**  
The unit is turned off.
- 2 Press (front panel release), then pull it off towards you.**



## Attaching the front panel

Engage part (A) of the front panel with part (B) of the unit, as illustrated, and push the left side into position until it clicks.



## SET UP

### Setting the clock

The clock uses a 24-hour digital indication.

- 1 Press and hold (SEL).**  
The setup display appears.
- 2 Press (SEL) repeatedly until "CLOCK-ADJ" appears.**
- 3 Press (DSPL).**  
The hour indication flashes.
- 4 Press the volume +/- button to set the hour and minute.**  
To move the digital indication, press (DSPL).
- 5 Press (SEL).**  
The setup is complete and the clock starts.

**Tip**  
You can set the clock automatically with the RDS feature. For details, see "Adjusting setup items" on the reverse side of this sheet, and set to "CT-ON" (Clock Time).

## RADIO

### Storing stations automatically

— BTM

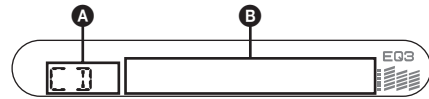
The unit selects strong signal stations and stores them. You can store up to 6 stations per band (FM1, FM2, FM3, MW, or LW).

**Caution**  
When tuning in stations while driving, use BTM (Best Tuning Memory) to prevent accidents.

- 1 Press (SOURCE) repeatedly until "TUNER" appears.**  
To change the band, press (MODE) repeatedly. You can select from FM1, FM2, FM3, MW or LW.
- 2 Press and hold (BTM) until "BTM" flashes.**  
The unit stores stations in order of frequency on the number buttons.  
A beep sounds when the setting is stored.

CD

## Display items



- A** Source  
**B** Track number/Elapsed playing time, Disc/artist name, Group number\*<sup>1</sup>, Group name, Track name, Text information\*<sup>2</sup>, Clock

\*<sup>1</sup> Group number is displayed only when the group is changed.

\*<sup>2</sup> When playing an MP3, ID3 tag is displayed and when playing ATRAC CD, text information written by SonicStage, etc. is displayed.

To change display items **B**, press **(DSPL)**.

CD

## Repeat and shuffle play

- 1** During playback, press **(3)** (REP) or **(4)** (SHUF) repeatedly until the desired setting appears.

Select	To play
REP-TRACK	track repeatedly.
REP-GP*	group repeatedly.
SHUF-GP*	group in random order.
SHUF-DISC	disc in random order.

\* When an MP3/ATRAC CD is played.

To return to normal play mode, select “REP-OFF” or “SHUF-OFF.”

SET UP RADIO CD

## Adjusting the sound characteristics

— BAL/FAD/SUB

You can adjust the balance, fader, and subwoofer volume.

- 1** Press **(SEL)** repeatedly until “BAL,” “FAD” or “SUB” appears.

The item changes as follows:

**LOW**\*<sup>1</sup> → **MID**\*<sup>1</sup> → **HI**\*<sup>1</sup> → **BAL** (left-right) → **FAD** (front-rear) → **SUB** (subwoofer volume)\*<sup>2</sup>

\*<sup>1</sup> When EQ3 is activated.

\*<sup>2</sup> When the audio output is set to “SUB.” “ATT” is displayed at the lowest setting, and can be adjusted up to 20 steps.

- 2** Press the volume +/- button repeatedly to adjust the selected item.

After 3 seconds, the setting is complete and the display returns to normal play/reception mode.

**Note**

Adjust within 3 seconds of selecting the item.

SET UP RADIO CD

## Customizing the equalizer curve

— EQ3

“CUSTOM” of EQ3 allows you to make your own equalizer settings.

- 1** Select a source, then press **(EQ3)** repeatedly to select “CUSTOM.”

- 2** Press **(SEL)** repeatedly until “LOW,” “MID” or “HI” appears.

- 3** Press the volume +/- button repeatedly to adjust the selected item.

The volume level is adjustable in 1 dB steps, from -10 dB to +10 dB.



Repeat steps 2 and 3 to adjust the equalizer curve.

To restore the factory-set equalizer curve, press and hold **(SEL)** before the setting is complete. After 3 seconds, the setting is complete and the display returns to normal play/reception mode.

SET UP RADIO CD

## Adjusting setup items

— SET

- 1** Press and hold **(SEL)**.  
The setup display appears.
- 2** Press **(SEL)** repeatedly until the desired item appears.
- 3** Press the volume +/- button to select the setting (example “ON” or “OFF”).
- 4** Press and hold **(SEL)**.  
The setup is complete and the display returns to normal play/reception mode.

**Note**

Displayed items will differ, depending on the source and setting.

The following items can be set: “●” indicates the default settings.

<b>CLOCK-ADJ</b> (Clock Adjust)	To set the clock.
<b>CT</b> (Clock Time)	To set “CT-ON” or “CT-OFF” (●).
<b>BEEP</b>	To set “BEEP-ON” (●) or “BEEP-OFF.”
<b>SUB/REAR</b> * <sup>1</sup>	To switch the audio output. – “SUB” (●): to output to a subwoofer. – “REAR”: to output to a power amplifier.
<b>DIM</b> (Dimmer)	To change the brightness of the display. – “DIM-ON”: to dim the display. – “DIM-OFF” (●): to deactivate the dimmer.
<b>DEMO</b> * <sup>1</sup> (Demonstration)	To set “DEMO-ON” (●) or “DEMO-OFF.”
<b>A.SCRL</b> (Auto Scroll)	To scroll long displayed items automatically when the group/track is changed. – “A.SCRL-ON”: to scroll. – “A.SCRL-OFF” (●): to not scroll.

**REG**\*<sup>2</sup> (Regional) To set “REG-ON” (●) or “REG-OFF.”

**LPF**\*<sup>3</sup> (Low Pass Filter) To select the subwoofer cut-off frequency “78HZ,” “125HZ” or “OFF” (●).

\*<sup>1</sup> When the unit is turned off.

\*<sup>2</sup> When FM is received.

\*<sup>3</sup> When the audio output is set to “SUB.”